

AXOR ShowerSolutions

Basic set for hand shower module 120/120 for concealed installation

Surfaces: n.a. Article Number: 10650180

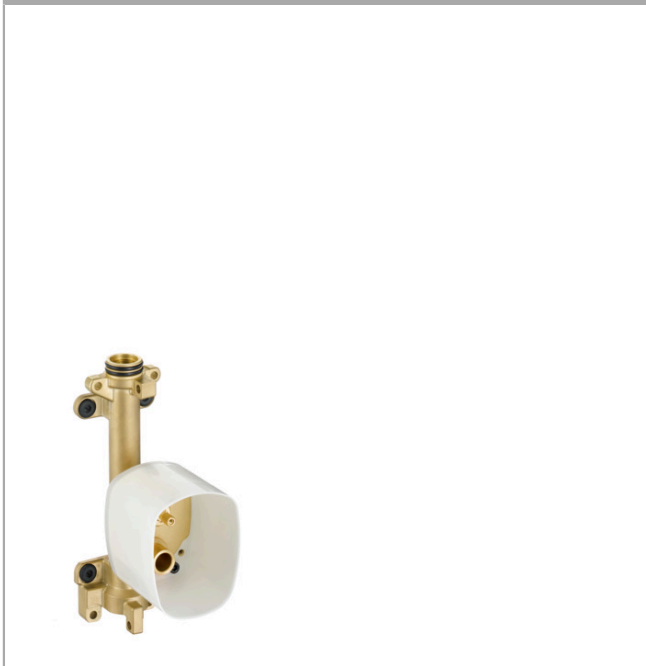


Description

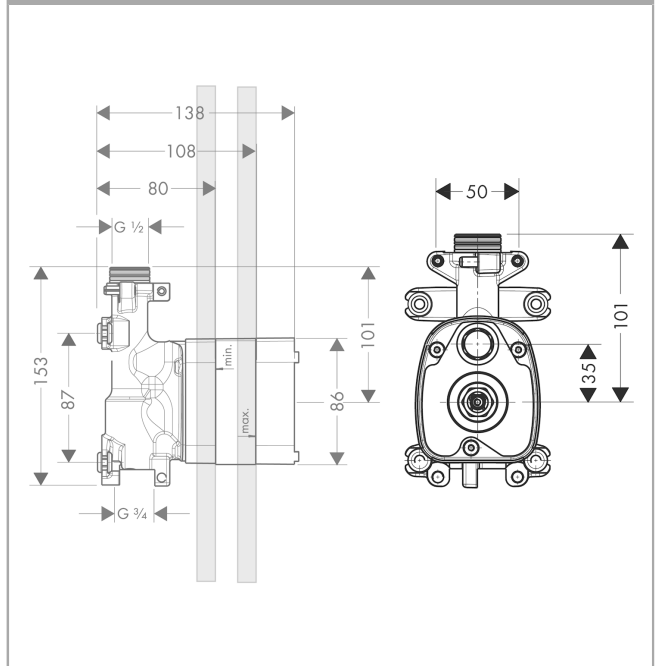
product features

- flow rate at free through-flow: 30 l/min
- ceramic valve 180°
- horizontal or vertical installation
- sound-decoupled installation
- in a joined installation it serves as a waterconducting unit and allows dimensionally accurate positioning
- connection dimension: DN15

Product image



Scale drawing



AXOR ShowerSolutions
Basic set for hand shower module 120/120 for concealed installation
 Surfaces: n.a. Article Number: **10650180**



Installation examples

