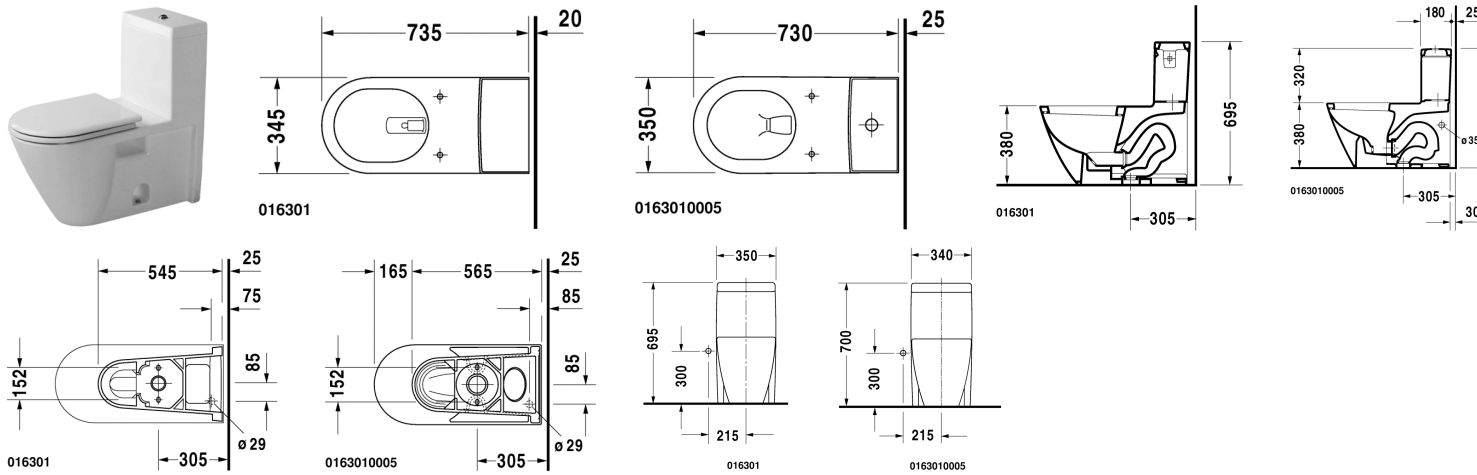


One-piece toilet # 016301..05

|< 735 mm >|

Starck 2



One-piece toilet	Dimension	Weight	Order number
US-version, jet action, 1,28 gpf (4,8 liters), 305 mm/12" rough-in, with Single Flush piston valve, top flush, 3"/80 mm flapper valve, IAPMO listed, vertical outlet Additional information For further IAPMO listed toilets please refer to the respective section of this price list (page 7)			
Colors			
00 White Alpin			
Variant			
	735 x 345 mm	40,000 kg	016301..05
Accessories			
Toilet seat and cover	-	3,000 kg	006691
Toilet seat and cover	-	3,200 kg	006699
Mounting set	-	0,480 kg	001431

All drawings contain the necessary measurements which are subject to standard tolerances. They are stated in mm and are non-binding. Exact measurements, in particular for customised installation scenarios, can only be taken from the finished ceramic piece.