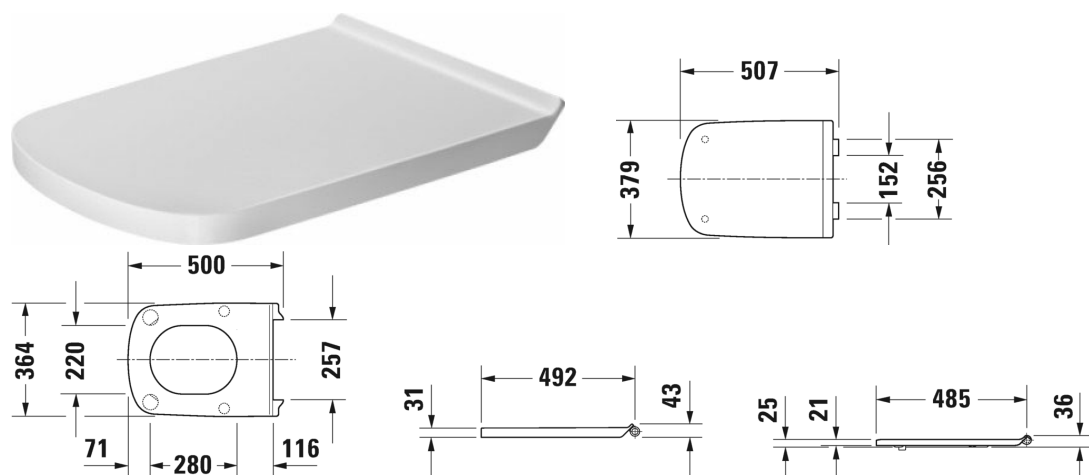


Toilet seat and cover # 0062310000



Toilet seat and cover	Dimension	Weight	Order number
elongated, with lateral reinforcement and extended hinge shaft, hinges stainless steel, without automatic closure			
Colors			
00 White Alpin			
Variant			
		3.100 kg	0062310000
Suitable products			
Toilet wall mounted Duravit Rimless® rimless, washdown model, suitable for barrier-free applications, Projection 700 mm, Durafix included, UWL class 1, 4,5 litre flush, 370 x 700 mm	370 x 700 mm		255909

All drawings contain the necessary measurements which are subject to standard tolerances. Exact measurements, in particular for customised installation scenarios, can only be taken from the finished ceramic piece.