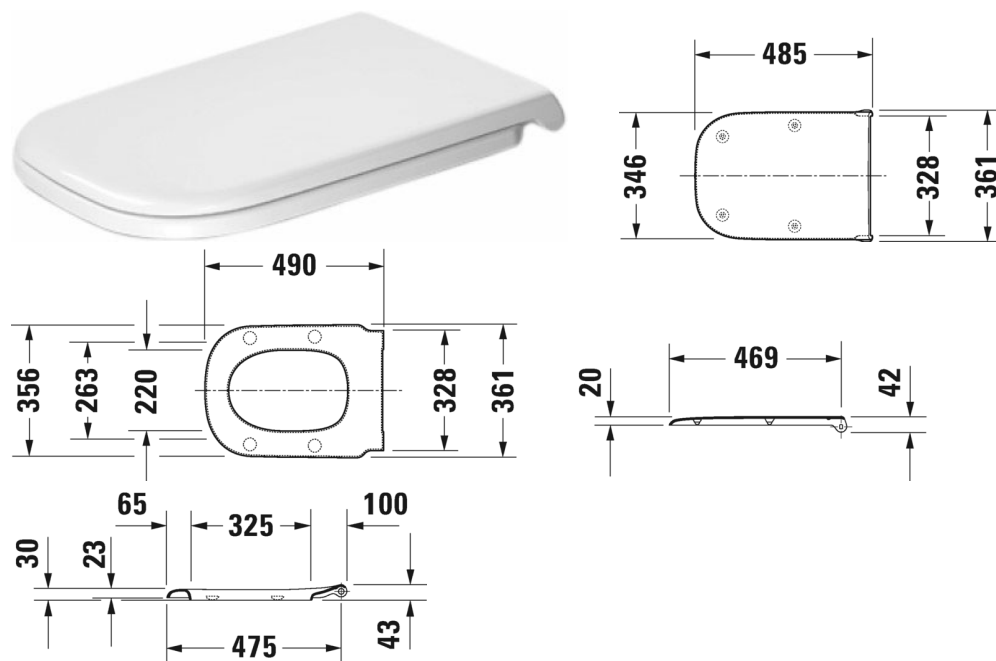


## Toilet seat and cover # 0060310000



Toilet seat and cover	Dimension	Weight	Order number
elongated, hinges stainless steel, without automatic closure			
<b>Colors</b>			
00 White Alpin			
<b>Variant</b>			
		2.100 kg	0060310000
<b>Suitable products</b>			
Toilet wall mounted washdown model, suitable for barrier-free applications, Projection 700 mm, UWL class 1, 360 x 700 mm	360 x 700 mm		222809

All drawings contain the necessary measurements which are subject to standard tolerances. Exact measurements, in particular for customised installation scenarios, can only be taken from the finished ceramic piece.