

110 BASIN PILLAR MIXER - PRESSMATIC LEED

Code. 00599306

DESCRIPTION

Mixer with a vertical inlet for basin installation and manual override by lever

TECHNOLOGY AND CHARACTERISTICS



LEED



Bi-nickel finish



High durability



ADVANTAGES

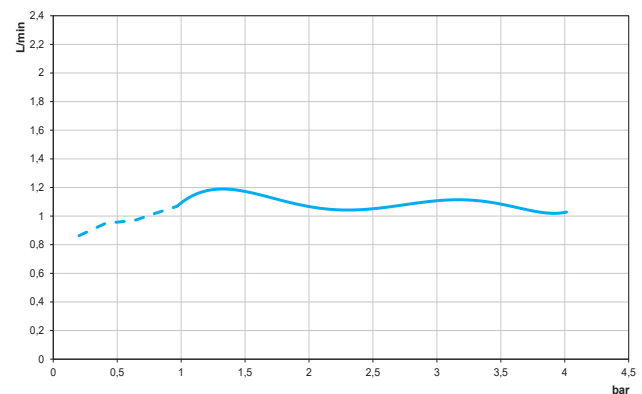
Built-in aerator: Water saving and comfort guarantee. Aerators mix air bubbles with water, reducing consumption by up to 90% and avoiding splashing.

PressMatic®: PressMatic® technology enables the activation of water in a simple and fast way, with a single button. In order to deliver savings products, all have automatic closing after six seconds of use.

LEED certification: This technology brings high efficiency in water savings through aerators or flow restrictors, along with the standards of the Green Building Council Brazil

Binickel finish: The chrome finish of high durability and greater resistance to corrosion, preserves the beauty and brightness of the product for much longer.

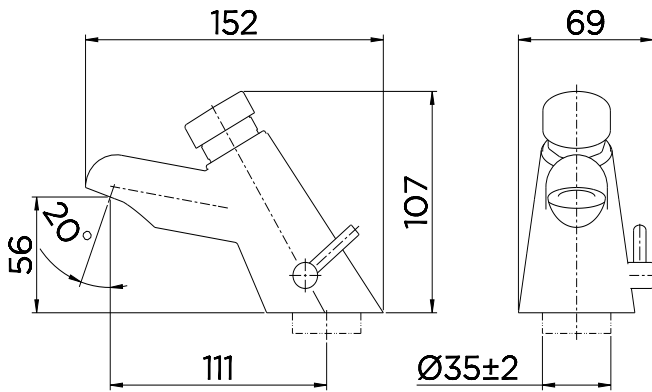
FLOW CURVE



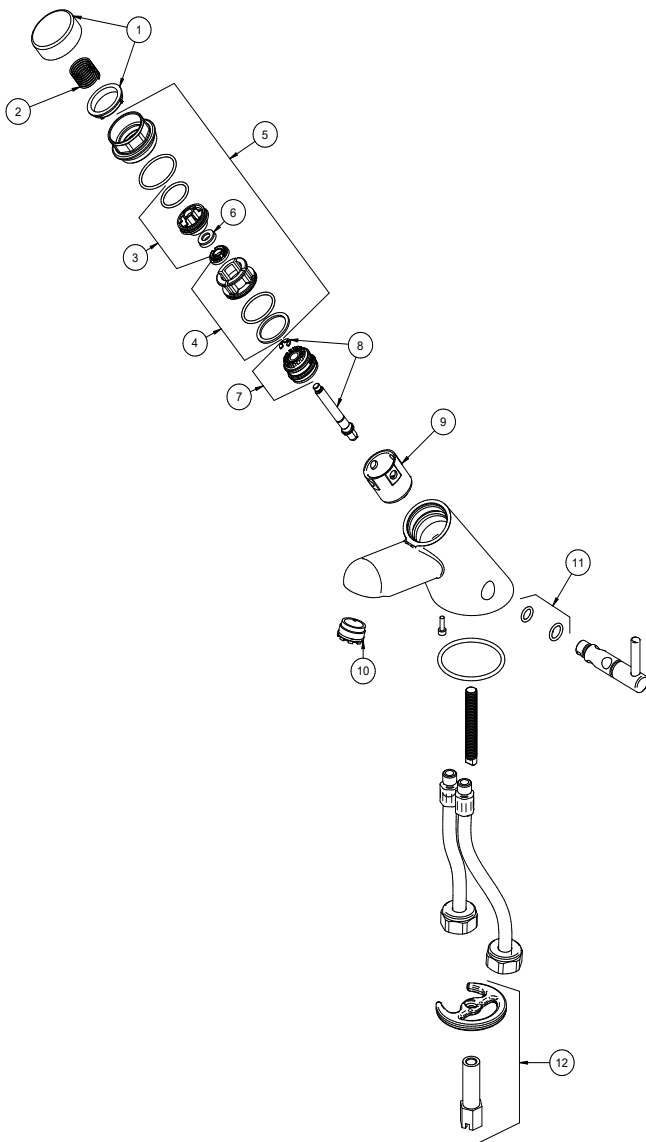
TECHNICAL SPECIFICATIONS

| | |
|---------------------------|---|
| GAUGE | 1/2" - DN 15 |
| PRESSURE CLASS OF | 2 a 40 bar |
| STANDARD | NBR 13713 |
| MAXIMUM WATER TEMPERATURE | 70°C |
| PACKAGING CONTENT | 1 mixer, 2 flexible cable, 1 orientative adhesive, 1 aerator key, 2 check valves and 1 installation manual. |
| COMPOSITION | Copper alloys, elastomer, Engineering plastic, Stainless steel |

DIMENSIONS



SPARE PARTS



| POS | CODIGO | DENOMINAÇÃO |
|-----|----------|---------------------------------------|
| 1 | 00456306 | KIT BOTÃO LATÃO CROMADO PRESS COMPACT |
| 2 | 17991600 | KIT MOLA Ø17 X 55 PRESCO |
| 3 | 17991900 | KIT RETENTOR/SEDE Ø22 PRESCO |
| 4 | 17991300 | KIT SEDE Ø26 MONT PRESCO |
| 5 | 17991706 | KIT TAMPA Ø34,5 PRESCO CR |
| 6 | 00186600 | KIT RETENTOR PRESS COMPACT |
| 7 | 17992000 | KIT PISTÃO LAVA T MONT PRESCO |
| 8 | 00071600 | KIT EIXO LAVA T PRESCO INOX |
| 9 | 17992900 | KIT CILINDRO D6 PRESCO |
| 10 | 01665900 | KIT AREJADOR CACHE TJ M18,5X1 0,35GPM |
| 11 | 00468900 | KIT ANEIS EIXO MISTURADOR PRESS 110 |
| 12 | 00189800 | KIT FIXAÇÃO TORNEIRA DE MESA |