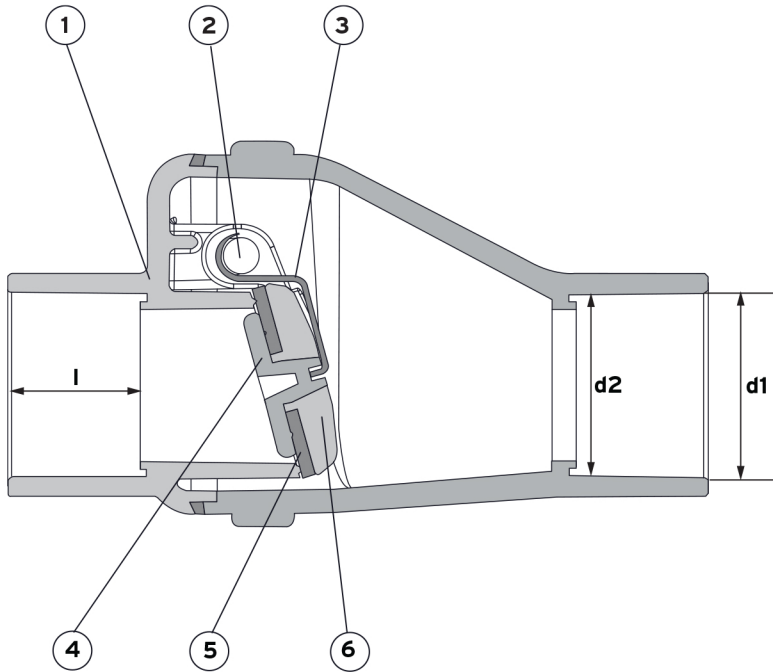


SPECIFICATIONS - SWING/SPRING COMBO CHECK VALVES

SPECIFICATION OF MATERIAL

ITEM	PARTS	MATERIAL
1	BODY	PVC, WHITE OR CLEAR
2	SHAFT	NORYL GFN3
3	SPRING	316 STAINLESS STEEL
4	SEAL RETAINER	PVC WHITE
5	SEAL	BUNA, 40 SHORE
6	GATE	PVC WHITE



ANSI SOCKET SWING/SPRING CHECK VALVES

SIZE	l (min)	d1	d2
1/2"	0.688	0.848	0.836
3/4"	0.719	1.058	1.046
1"	0.895	1.325	1.310
1-1/2"	1.094	1.912	1.894
2"	1.156	2.387	2.369
3"	1.875	3.516	3.492

FLOW VS. PRESSURE DROP

1-1/2" COMBO CHECK VALVES

FLOW RATE (GPM)	0	10	20	30	40	50	60	70	80	90	100
PSI DROP (ΔP)	0.00	0.40	0.52	0.63	0.76	0.90	1.08	1.26	1.46	1.70	1.88

Air Temp = 75 Deg. F Water Temp = 82 Deg. F TDS = 390 ppm

2" COMBO CHECK VALVES

FLOW RATE (GPM)	0	10	20	30	40	50	60	70	80	90	100	110	120	130	140	150
PSI DROP (ΔP)	0.00	0.25	0.33	0.38	0.45	0.51	0.56	0.59	0.61	0.65	0.67	0.70	0.72	0.78	0.85	0.94

Air Temp = 78 Deg. F Water Temp = 82 Deg. F TDS = 390 ppm

3" COMBO CHECK VALVES

FLOW RATE (GPM)	0	10	20	30	40	50	60	70	80	90	100	110	120	130	140	150	160	170	180
PSI DROP (ΔP)	0.00	0.04	0.04	0.04	0.05	0.05	0.06	0.06	0.07	0.07	0.08	0.09	0.10	0.11	0.13	0.14	0.15	0.17	0.17

Air Temp = 78 Deg. F Water Temp = 84 Deg. F TDS = 390 ppm