

INSTALLATION AND SERVICE MANUAL

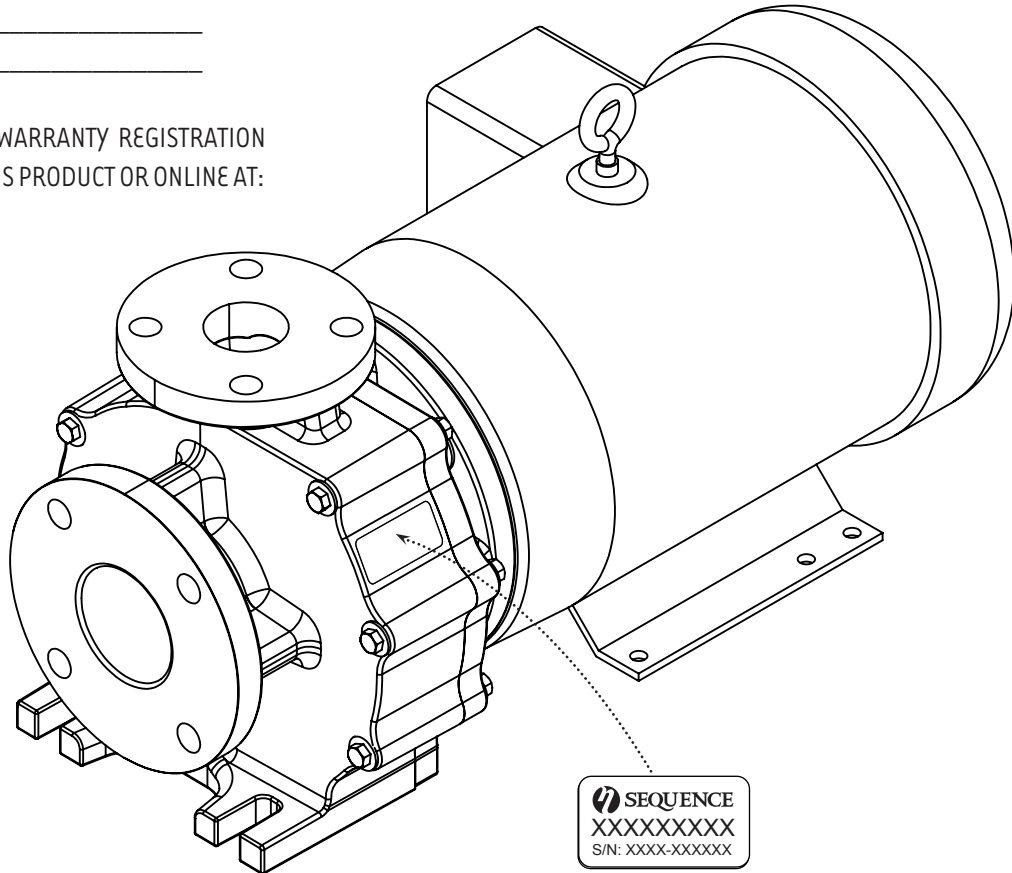
PLEASE FILL IN FOR FUTURE REFERENCE:

MODEL: _____

SERIAL NUMBER: _____

DATE PURCHASED: _____

* PLEASE FILL OUT THE WARRANTY REGISTRATION CARD INCLUDED WITH THIS PRODUCT OR ONLINE AT: WWW.MDMINC.COM



TYPE: END-SUCTION CENTRIFUGAL
MOTOR: NEMA 143JM-215JM
PORT SIZE: 3" FLANGED INLET, 2" FLANGED DISCHARGE
HORSEPOWER: 3/4 HP THROUGH 15 HP
MATERIAL: VINYL ESTER RESIN BRACKET AND VOLUTE, NORYL® IMPELLER
HARDWARE: STAINLESS STEEL

SEAL OPTIONS: IMPENATRA® II NON-METALIC MECHANICAL SEAL: CARBON GRAPHITE/VITON/SILICON CARBIDE SILICON CARBIDE/VITON/SILICON CARBIDE, ETC.
OTHER OPTIONS: EXTENSION COUPLED, PEDESTAL MOUNTED AND LONG COUPLED WITH PEDESTAL MOUNTED PUMP ON POLYMER BASEPLATE. PUMP ENDS INSERT: AND SEAL FLUSH PLANS AVAILABLE

WARNING: Please read completely before you install or operate your new pump. Do NOT allow the motor to become submerged. Never run dry - Never reverse rotation. Never exceed an internal case pressure of: 100 PSI.



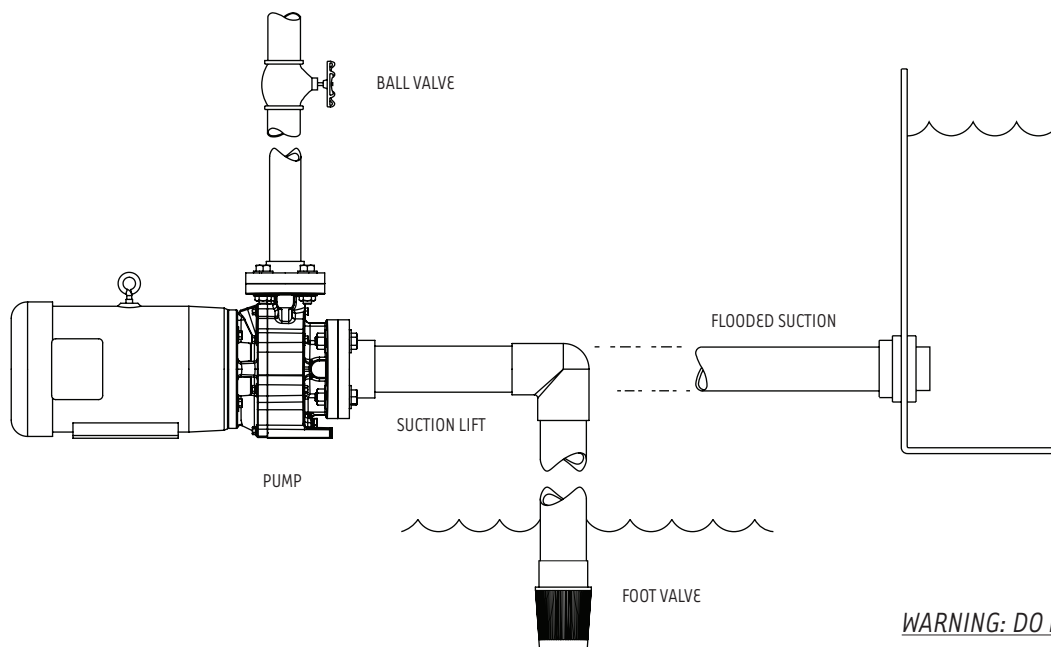
SEQUENCE® TITAN

We congratulate you on your choice of the Sequence® Centrifugal Pump! It has been carefully designed using the advantages of today's technology and carefully constructed to give you the dependability of yesterday. To insure proper performance, we urge you to carefully follow the instructions in this manual. If you have any questions, call your nearest distributor or MDM for assistance.

INSTALLATION

Please read carefully! When properly installed, the Sequence® Pump will provide dependable trouble-free service.

1. Locate the pump as near the fluid source as possible. A flooded suction situation is preferred.
2. Mount motor base to a secure, immobile foundation.
3. The pipe fittings should be self-supported and in neutral alignment with each port. (i.e. Fittings must not be forced into alignment which may cause premature line failure or damage to the pump volute.)
4. Never restrict the intake. Keep both input and discharge lines as free of elbows and valves as possible. Always use pipe of adequate diameter. This will reduce friction losses and maximize output.
5. The Sequence® Pump is not self-priming! It must not be run dry! We recommend a flooded suction installation. Please read carefully! When properly installed, the Sequence® Pump will provide dependable, trouble-free service.
6. For additional plumbing tips, review MDM's website: www.mdminc.com for pond plumbing and pump installation hints.



WARNING: ALWAYS SHUT OFF ELECTRICAL POWER BEFORE INSTALLATION AND / OR SERVICING THIS PUMP! ALL ELECTRICAL WIRING SHOULD MEET STATE AND LOCAL ORDINANCES. IMPROPER WIRING MAY NOT ONLY BE A SAFETY HAZARD BUT MAY PERMANENTLY DAMAGE THE MOTOR AND/OR PUMP! 50 HZ MOTORS AVAILABLE - CONTACT YOUR SUPPLIER FOR INFORMATION.

ELECTRICAL HOOK-UP

1. Check that supply voltages match the motor's requirements.
2. Check motor wiring and connect, according to instructions on motor, to match supply voltage.
3. Verify motor rotation with rotation meter. Incorrect rotation can cause serious damage to pump and/or motor. MDM does not recommend checking rotation by quickly switching power on and off because serious damage can occur.
4. Power cord should be protected by conduit or by cable and be of proper gauge. It should be no longer than necessary.
5. Power should be drawn directly from a box with circuit breaker protection or with a fused disconnect switch.



Proudly Assembled in the USA

Sustainable, Efficient.

© 2014 MDM INC.

PUMP END ASSEMBLY

1. Clean and inspect all pump parts (o-rings, seal head, seal seat, pump casings, motor etc.).
2. Check motor rotation prior to pump assembly.
3. Install threaded rod in end of the motor shaft, leaving $.725" \pm .005"$ extended beyond the end of the motor shaft. Use thread locker to secure in place, let cure overnight.
4. Install motor shaft heat shrink tubing sleeve at this time if required.
5. Place slinger over motor shaft.
6. Using a silicon based grease such as Dow Corning 111®, lightly grease the OD of the seal head casing/o-ring and the pump bracket seal bore. Press the seal head assembly into the pump bracket seal bore to stop by applying pressure only on the seal casing shoulder (do not press on the seal head carbon.), a 1-3/4" socket has the right clearance to press on the seal casing shoulder. Wipe away any grease squeeze out.
7. Lightly grease the seal seat (mating ring) o-ring and impeller hub ID, press the seal seat into the impeller hub to bottom, making sure the o-ring has not dislodged and the seal seat sits flat in the bottom of the impeller hub. Wipe away any excess grease. Lightly chamfer the impeller cap recess.
8. Align the bracket over the motor mounting holes and C face. Install bracket/motor mounting bolts and washers. Tighten to 75 in. lbs.
9. Place 3/16" square key in motor shaft keyway. If a motor shaft sleeve is installed, the end of the square key will slide underneath.
10. Clean both seal faces with a lint free tissue and alcohol, **DO NOT USE GREASE ON THE SEAL FACES!** Slide impeller onto motor shaft aligning key and keyways until seal faces touch.
11. Slide the impeller further towards the motor, compressing the seal and hold in place while placing rubber impeller washer over the threaded rod until it bottoms in contact with the motor shaft. Impeller metal washer is next placed on top of the rubber impeller washer, lightly grease the side of the metal washer that will contact with the rubber washer. Lock the impeller in place with the 3/8"-16 hex jam nut, tighten to 50 in. lbs.
12. Lightly grease the impeller cap o-ring gland, place the o-ring in the gland and lightly grease the outside of the o-ring and the impeller nose opening. Assemble the impeller cap w/ o-ring onto the threaded rod tighten to 50 in. lbs.
13. Place large o-ring into the o-ring gland in the pump bracket, use grease only if required.
14. Assemble volute into position aligning over impeller.
15. Secure volute to bracket using the supplied five 5/16"-18 x 4" through bolts with washers, lock washers and nuts and three 5/16"-18 x 1-1/4" long bolts with washers and lock washers into the molded inserts. Tighten all bolts to 75 in. lbs.
16. Apply thread sealant to the drain plug threads, tighten to seal.
17. Discharge hardware is supplied as it uses non-standard (and possibly hard to find) nuts.

DISASSEMBLY

1. Shut off power to motor before disconnecting any electrical wiring from the motor.
2. Disassemble volute from bracket by removing the five 5/16"-18 x 4" long hex cap screws, and the three 5/16"-18 x 1.25" hex cap screws. Pump/Bracket/Impeller Assembly may now be pulled back from the Volute.
3. Remove impeller eye 'cap' by unscrewing counterclockwise. Remove impeller locknut, unscrew counterclockwise. Slide impeller off of motor shaft.
4. Remove mating ring from impeller. Eye protection is strongly recommended. (If you are replacing the seal)
5. Detach bracket from motor.
6. Remove mechanical seal from bracket by pressing out from the back. Do not dig out from the front! (If you are replacing the seal).



WARNING: EYE PROTECTION IS STRONGLY RECOMMENDED**MAINTENANCE**

**The pump must be drained before servicing or if stored below freezing temperatures. Periodic replacement of seals may be required due to normal carbon wear.*

Lubrication:

Rotary Seal – Requires no lubrication after assembly.

TROUBLE SHOOTING AID***Motor Will Not Rotate***

1. Check for proper electrical connections to motor.
2. Check main power box for tripped circuit breaker.

Motor Hums Or Will Not Rotate

1. Check for proper electrical connections to motor and proper wire size according to local electrical codes.
2. Check for foreign material inside pump.
3. Remove volute and check for impeller rotation without excessive resistance and/or noise.
4. Remove pump and check shaft rotation for excessive bearing noise.
5. Check start switch and/or capacitor.

Pump Operates With Little Or No Flow

1. Check to insure that pump is primed.
2. Check for leaking seal.
3. Improper line voltage to motor or incorrect rotation.
4. Check for clogged inlet port and/or impeller.
5. Defective check or foot valve.
6. Check inlet lines for leakage, either fluid or air.

Pump Loses Prime

1. Defective check or foot valve.
2. Inlet line air leakage.
3. Seal leaking.
4. Fluid supply low.

Motor Or Pump Overheats

1. Check for proper line voltage and phase, also proper motor wiring.
2. Binding motor shaft or pump parts.
3. Inadequate ventilation.
4. Fluid being pumped should not exceed 194°F (90°C) for extended periods of time



MDM INCORPORATED
3345 N. Cascade Ave • Colorado Springs, CO • 80907
Toll Free Phone (800) 447-8342 • Fax (866) 425-1346
www.mdminc.com • info@mdminc.com

Gasgacinch® is a registered trademark of Porter Manufacturing. Noryl® is a registered trademark SABIC. Teflon® is a registered trademark of DuPont Company. Permatex® is a registered trademark of: ITW. Sequence is a registered trademark of MDM Incorporated.
Sequence Titan Installation Manual.indd Adobe Indesign CC 06-06-14



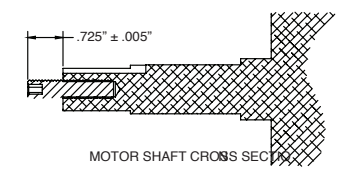
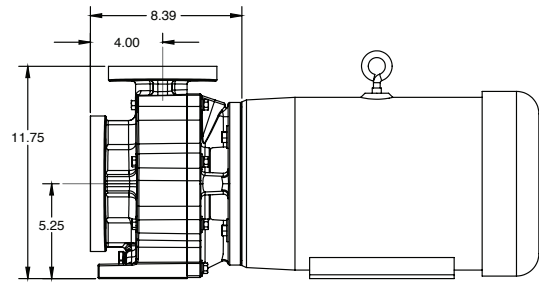
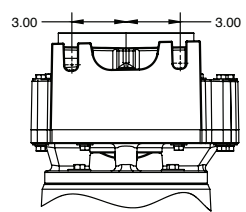
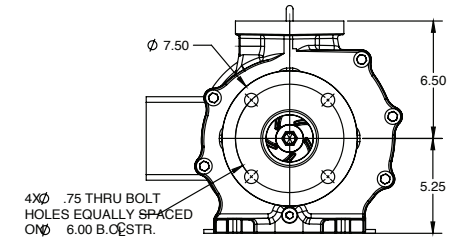
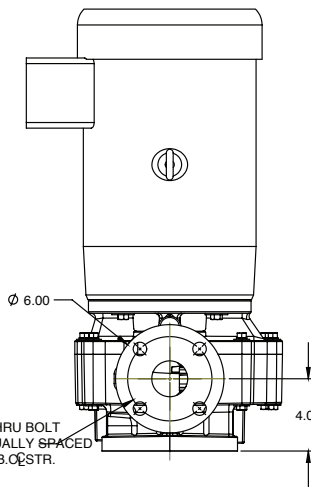
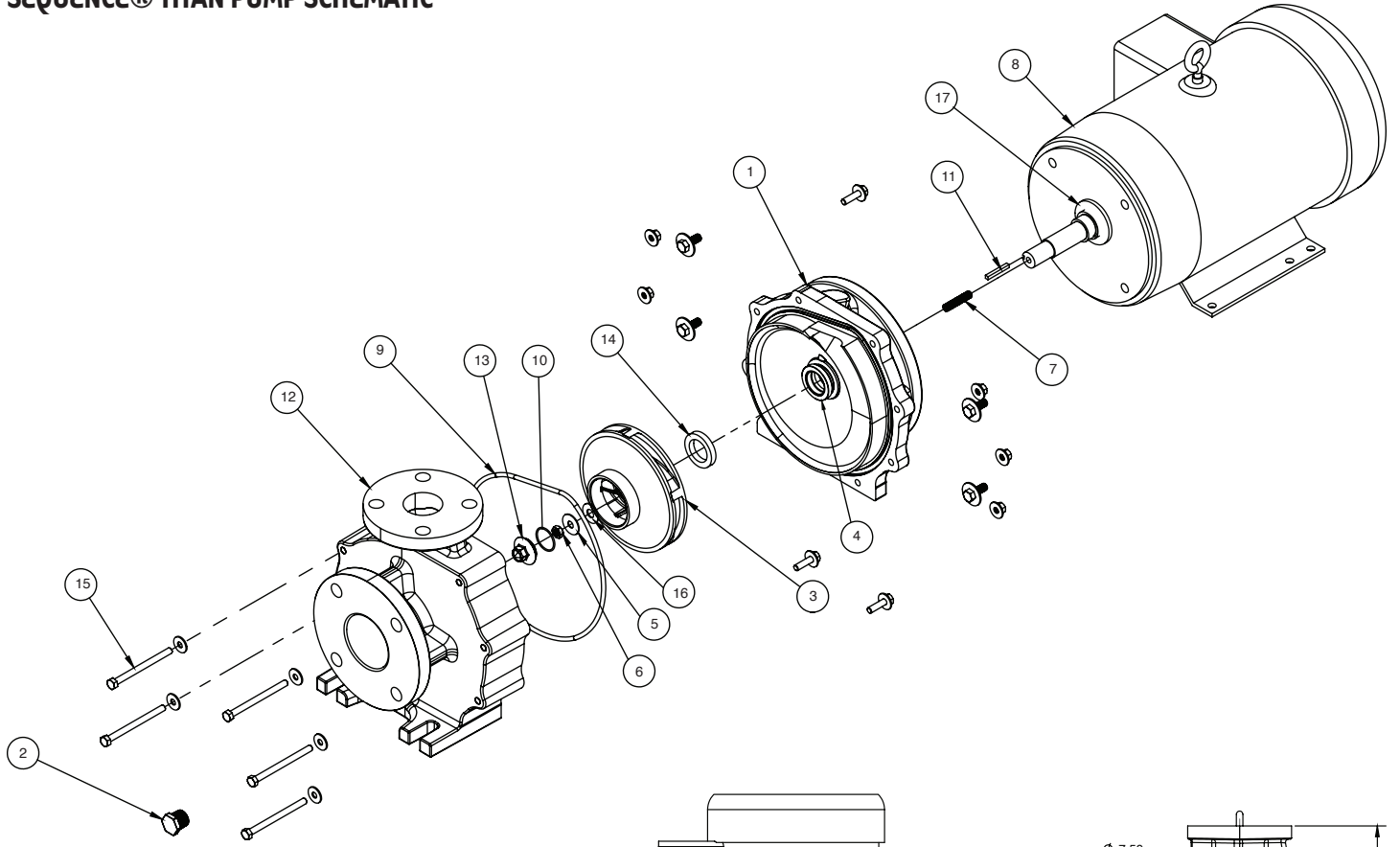
Proudly Assembled in the USA

Sustainable, Efficient.

© 2014 MDM INC.

SEQUENCE® TITAN

SEQUENCE® TITAN PUMP SCHEMATIC



NUMBER	DESCRIPTION	QTY.
1	BRACKET	1
2	DRAIN PLUG	1
3	IMPELLER	1
4	SEAL HEAD	1
5	IMPELLER WASHER	1
6	IMPELLER NUT	1
7	THREADED ROD, 3/8"-16 x 1.75" LONG, SS	1
8	MOTOR	1
9	O-RING, VOLUTE	1
10	O-RING, CAP	1
11	KEY, SQUARE, .188" x 1.5" LONG, SS	1
12	VOLUTE	1
13	CAP	1
14	SEAL SEAT	1
15	BOLT KIT	1
16	IMPELLER WASHER GASKET	1
17	SLINGER	1