



Profi Clear Premium *Compact L US*

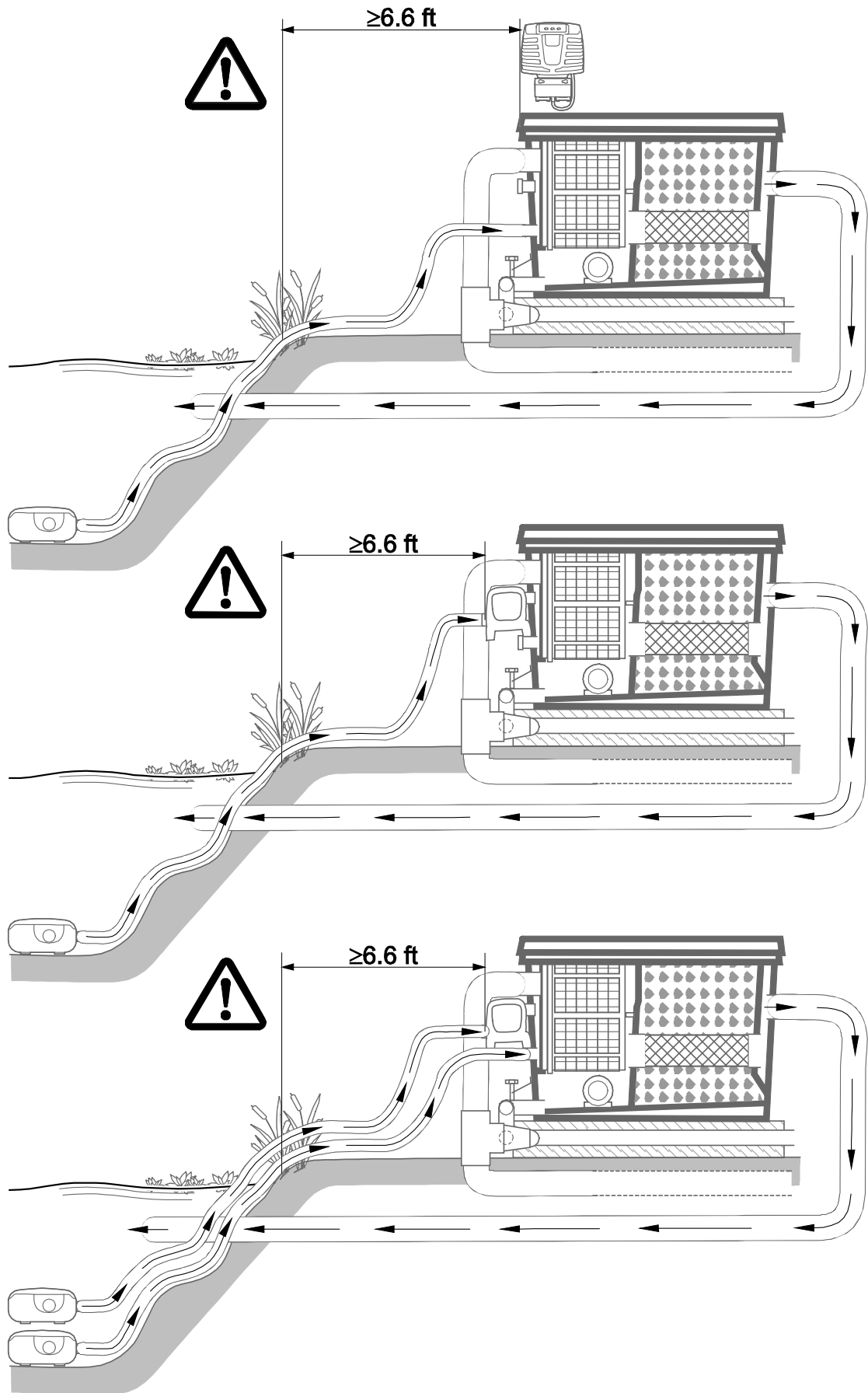


EN Operating instructions
FR Notice d'emploi
ES Instrucciones de uso





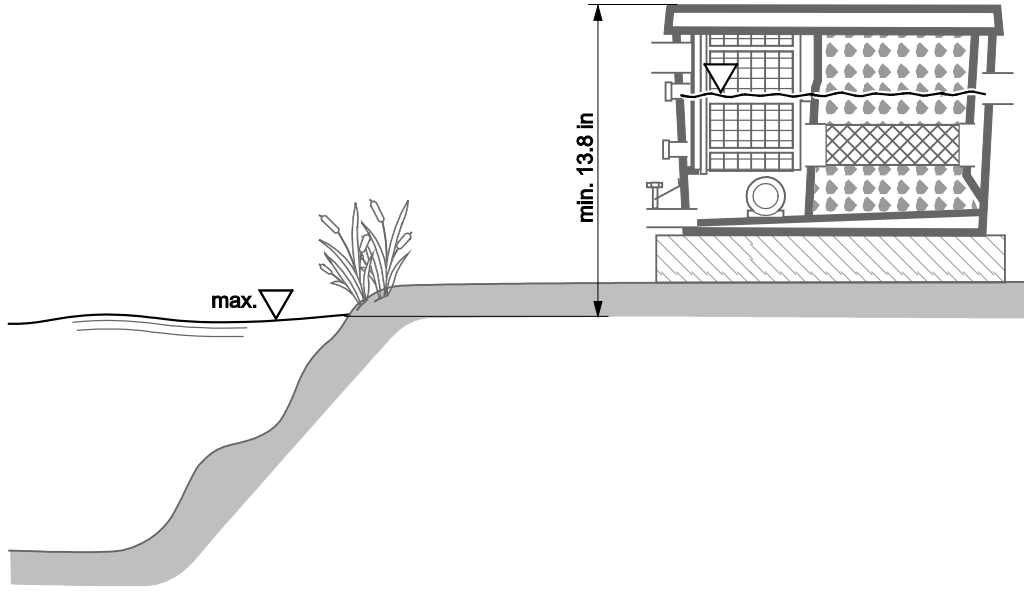
A



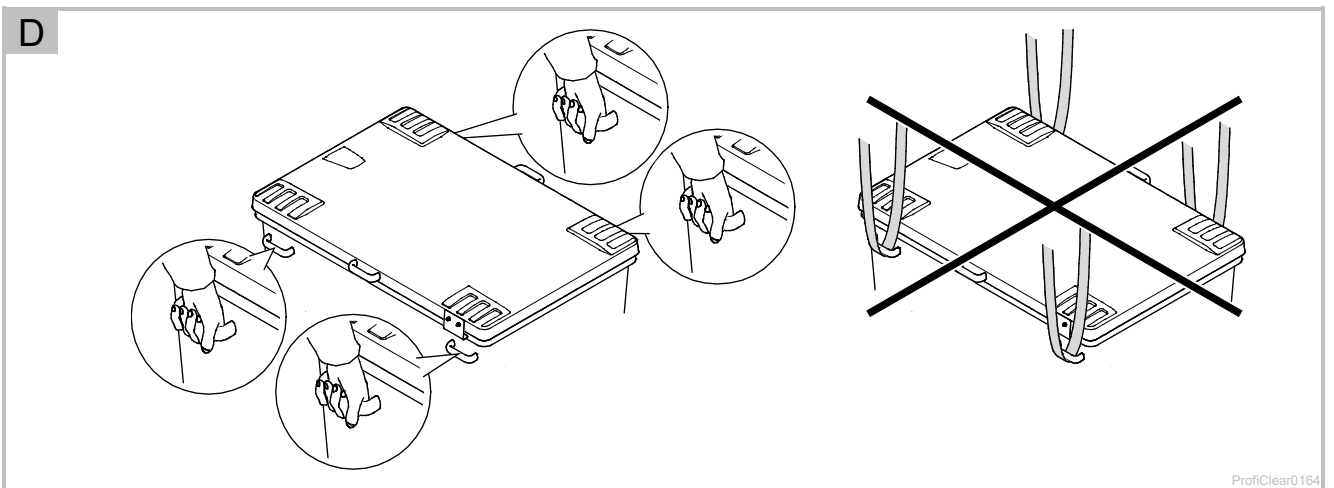
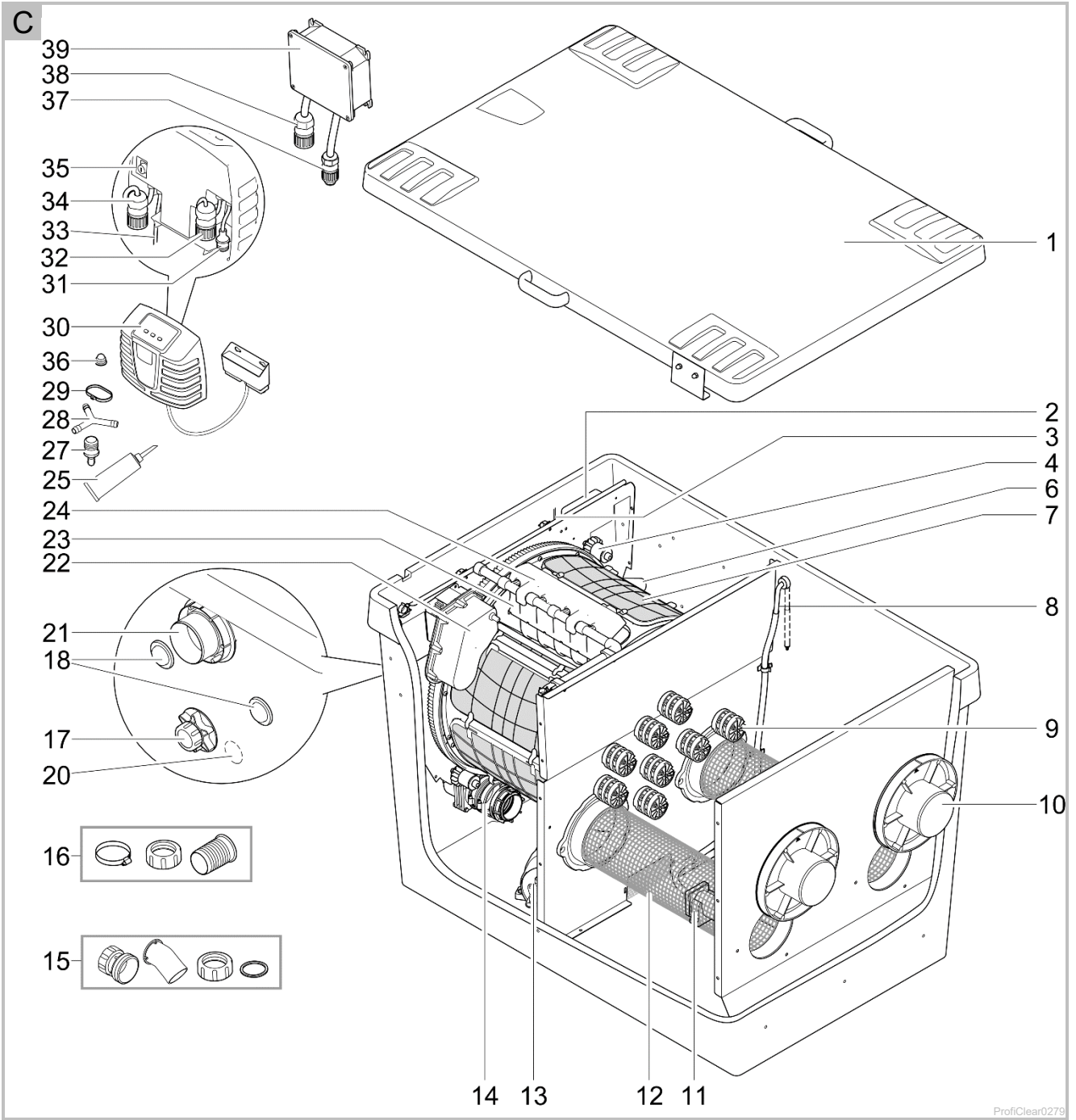
ProfiClear0239



B

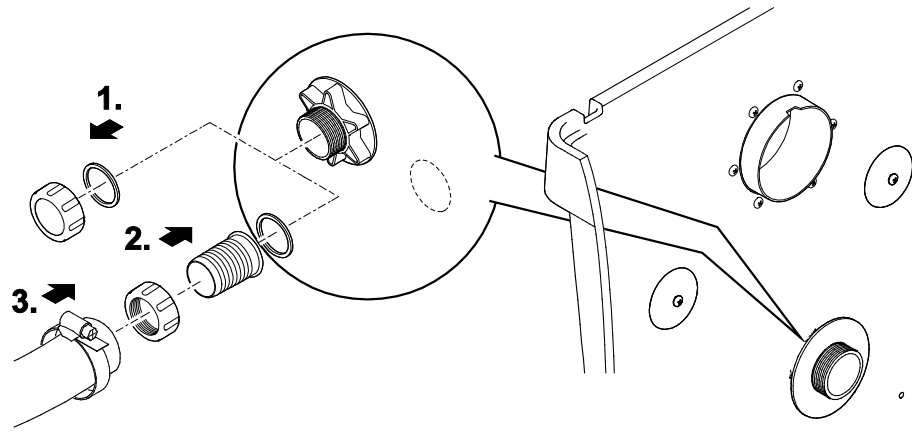


ProfiClear0243



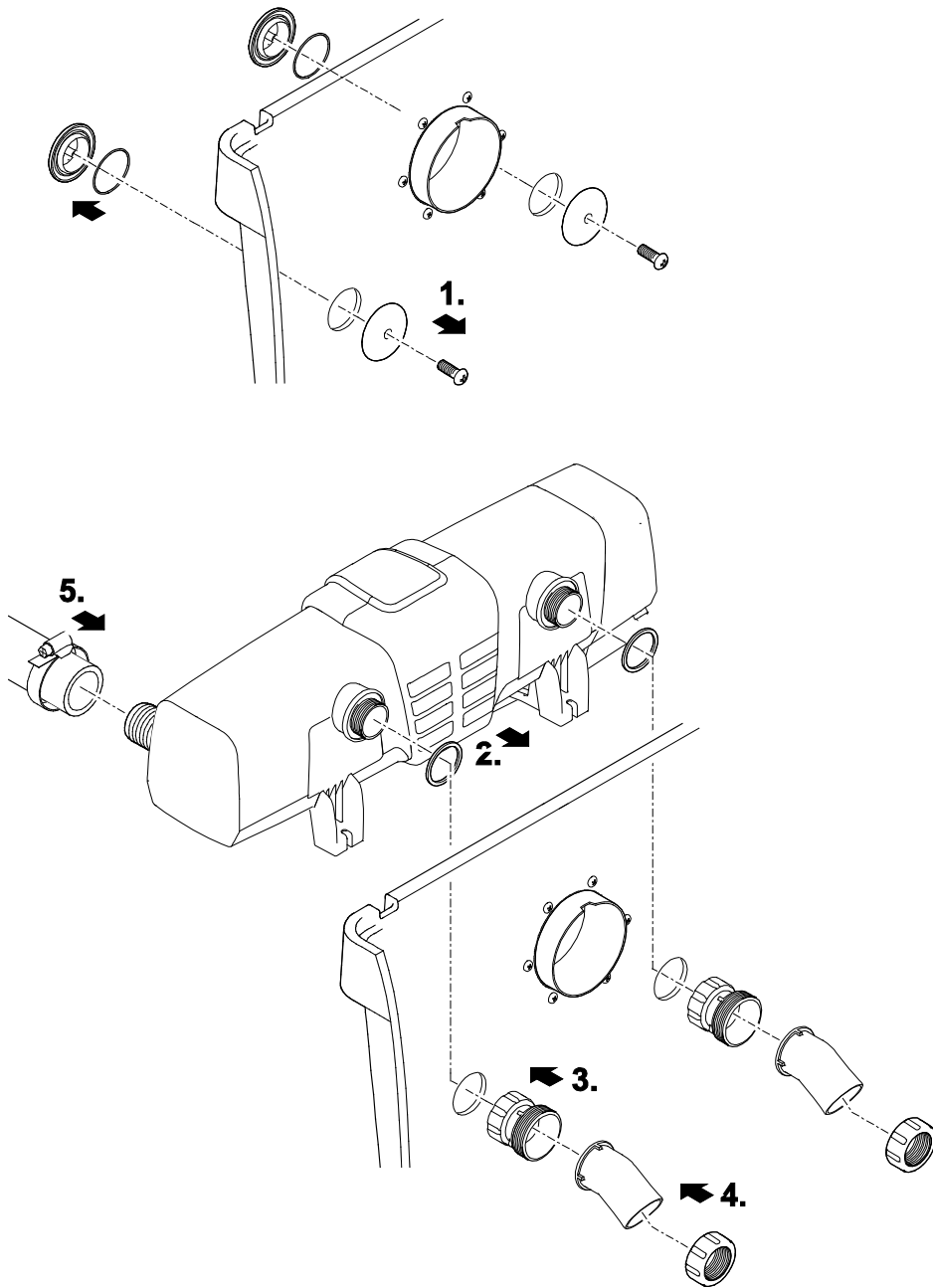


E



ProfiClear0129

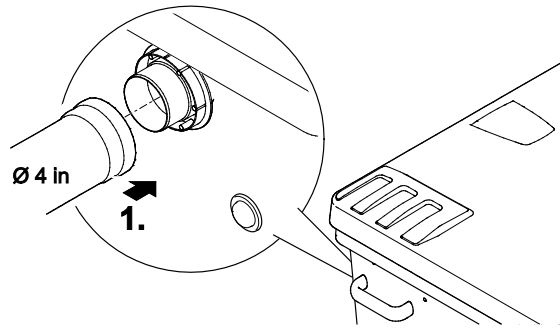
F



ProfiClear0130

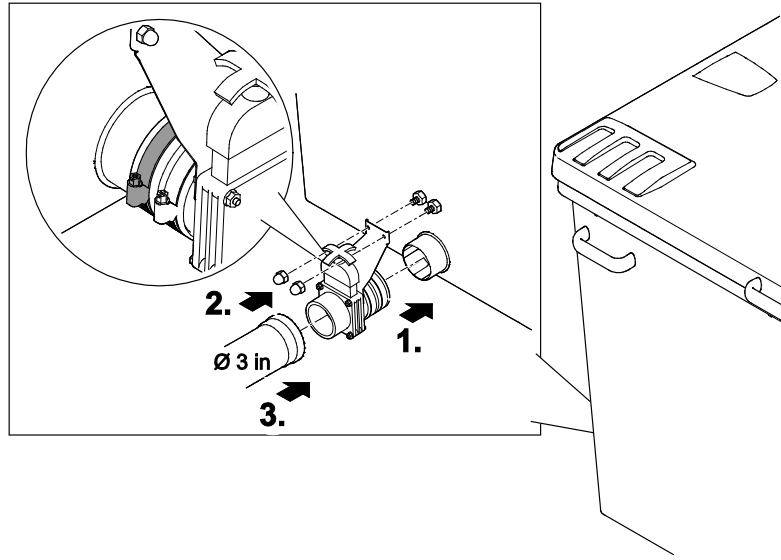


G



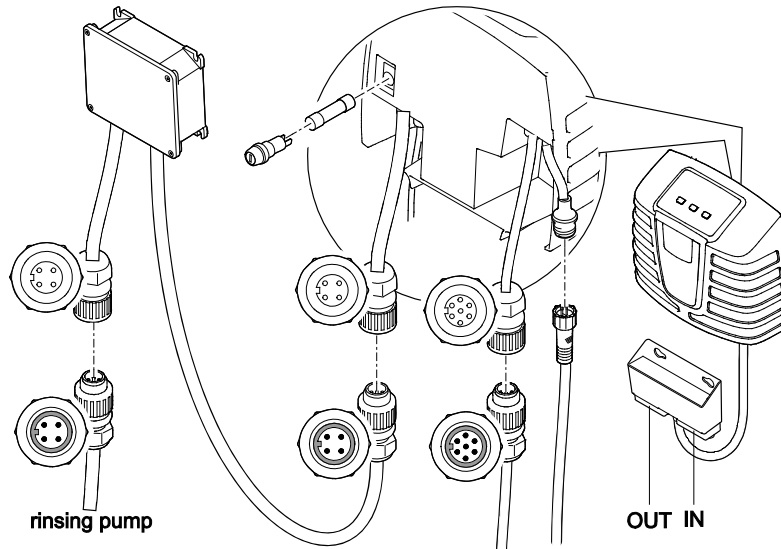
ProfiClear0244

H



ProfiClear0245

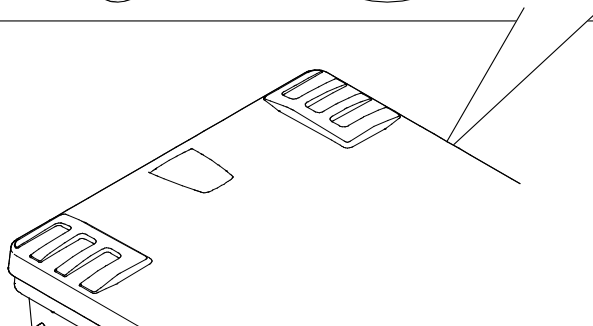
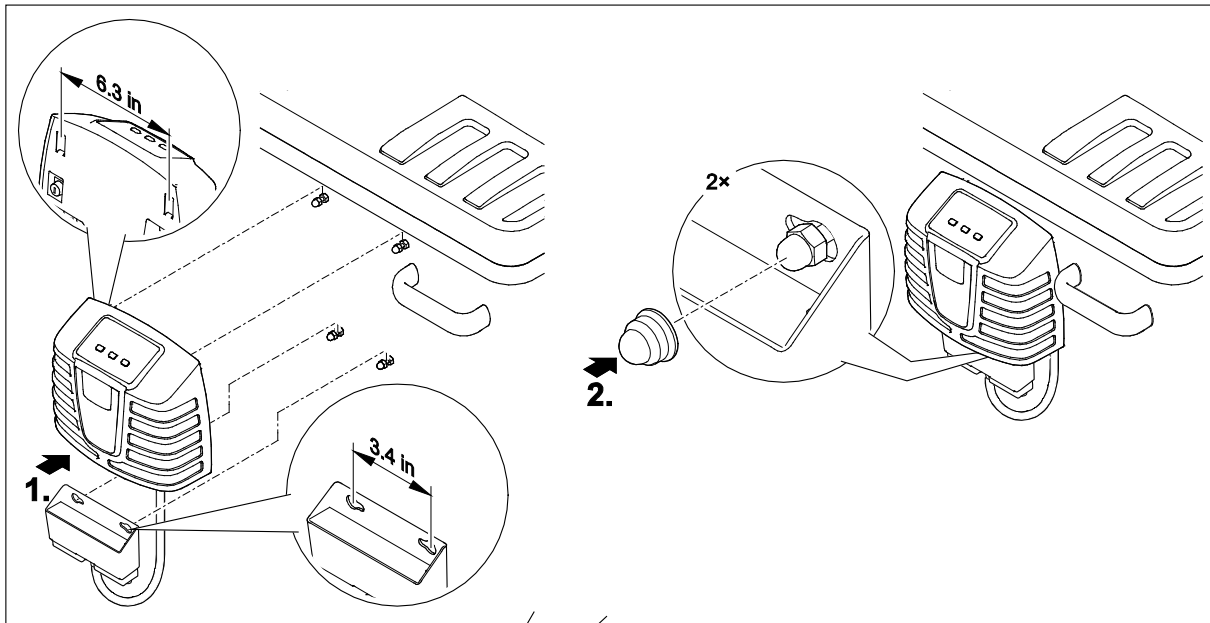
I



ProfiClear0169

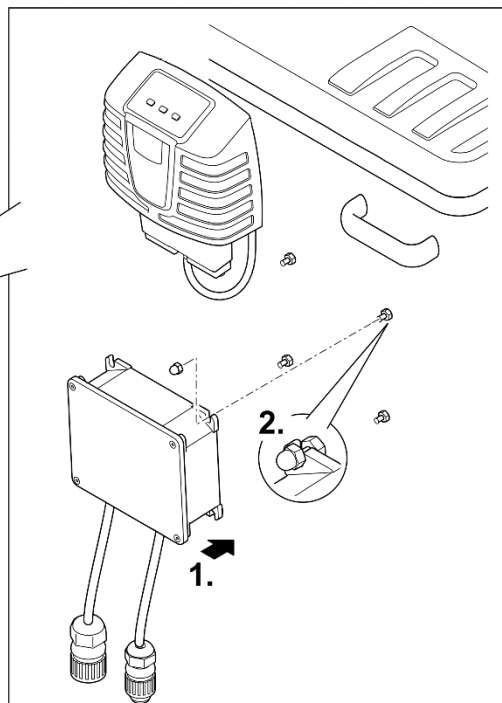
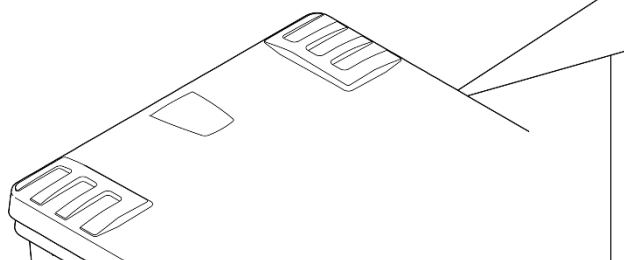


J



ProfiClear0240

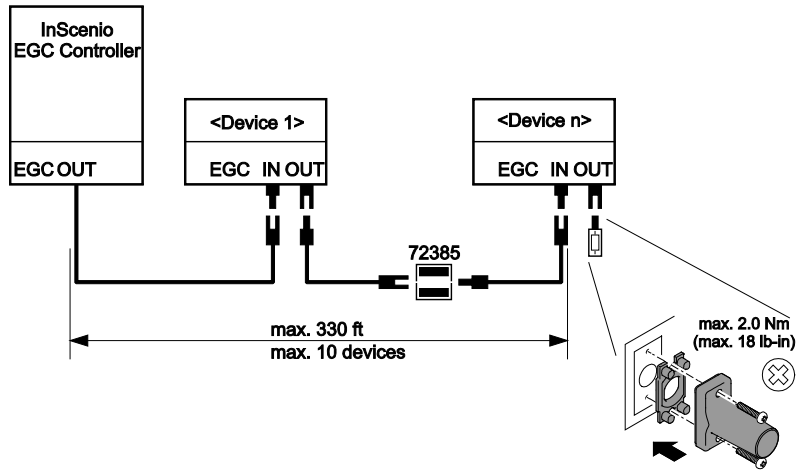
K



ProfiClear0260

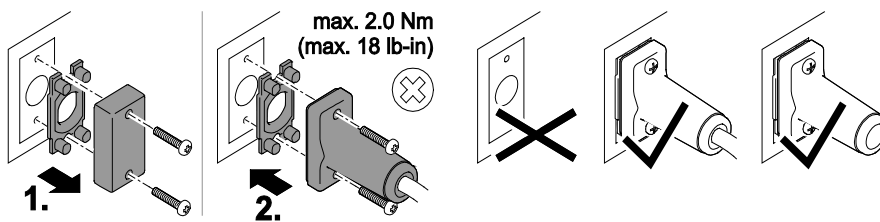


L



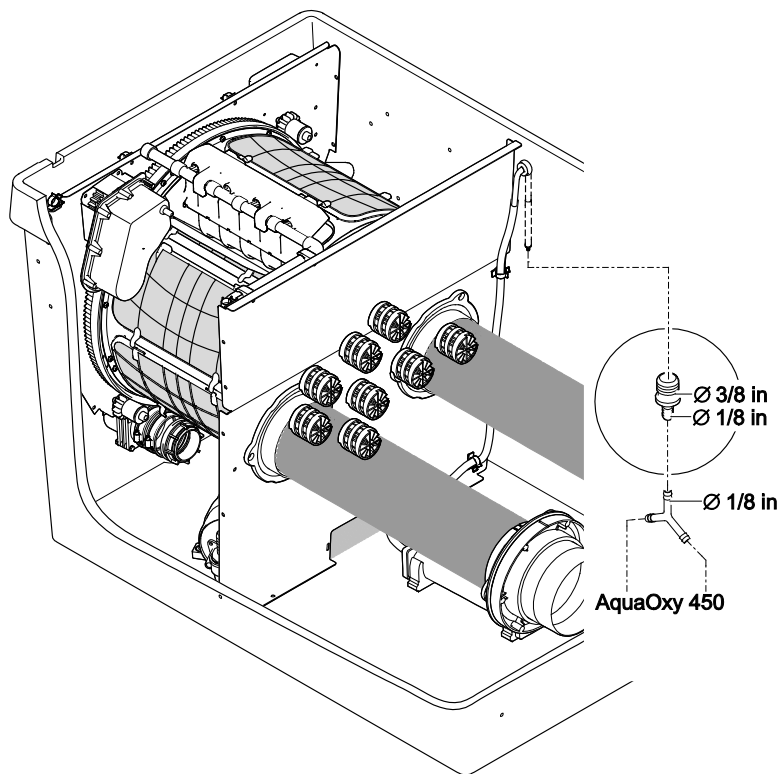
EGC0009

M



EGC0003

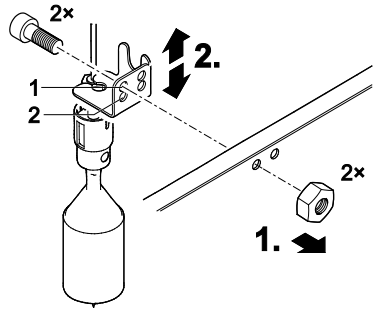
N



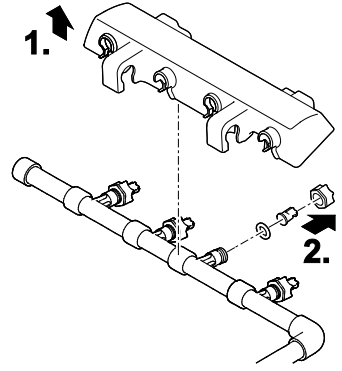
ProfiClear0134



O

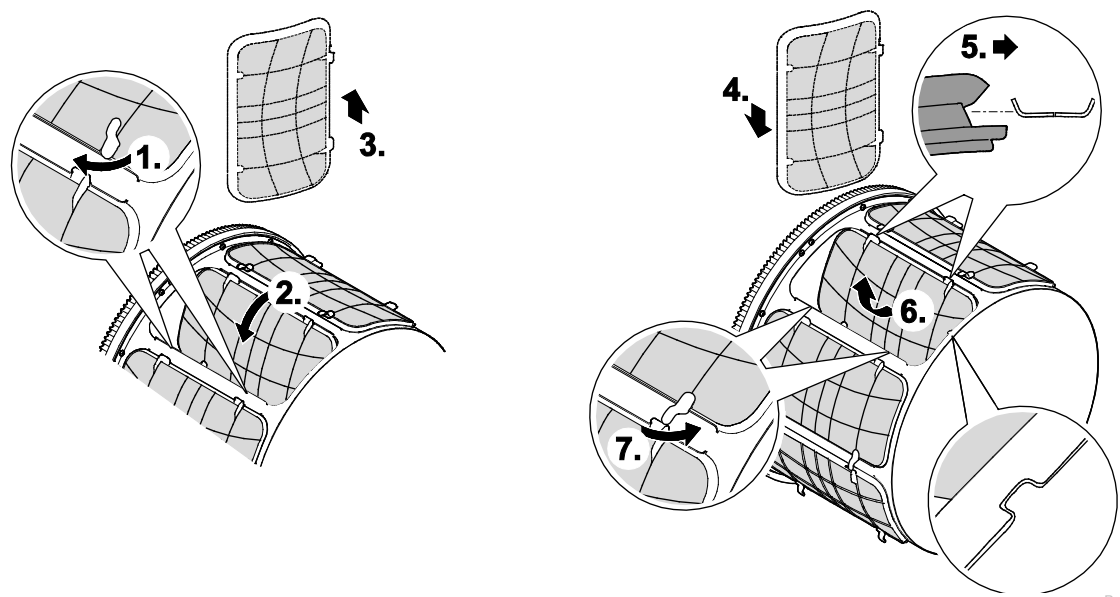


P



ProfiClear0135

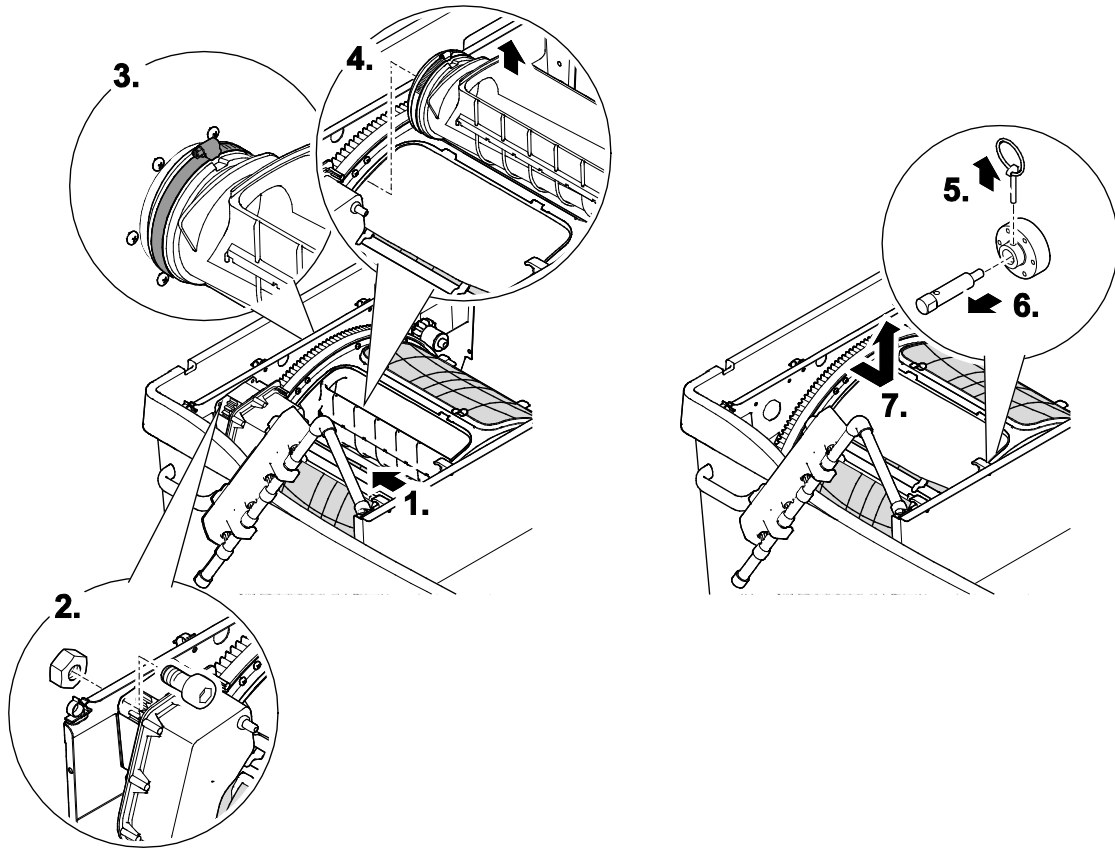
Q



ProfiClear0041

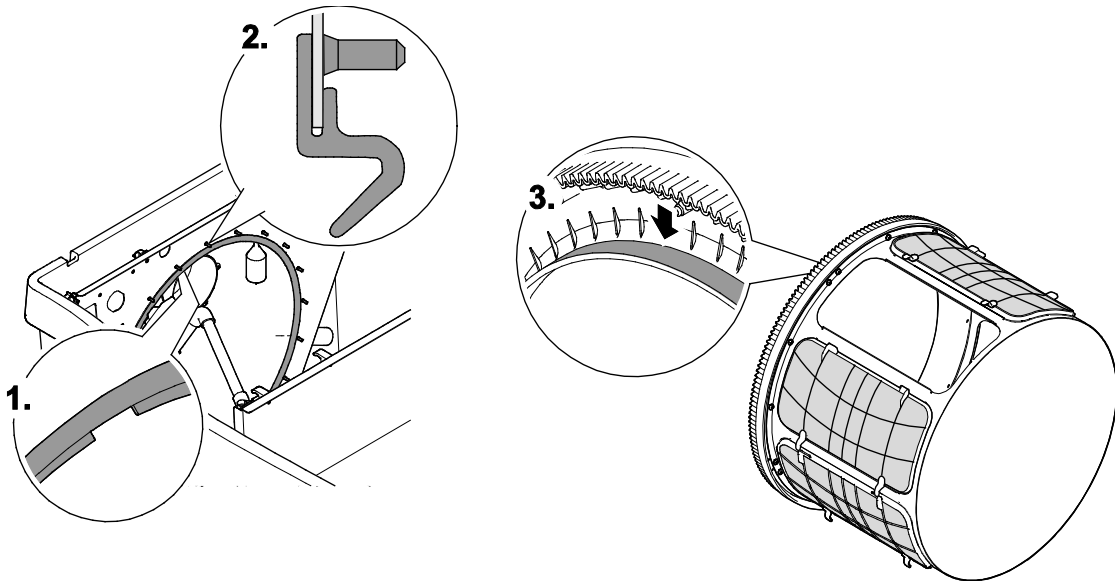


R

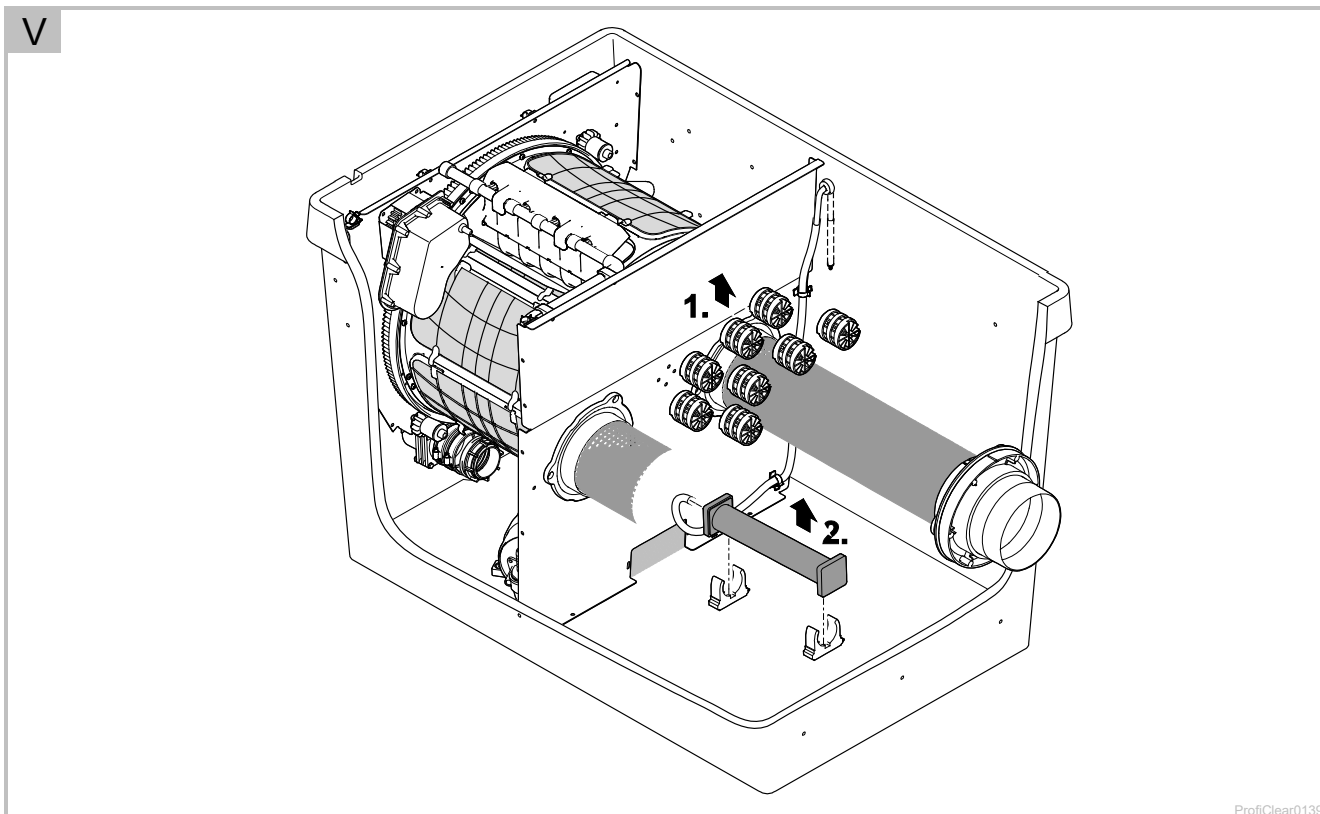
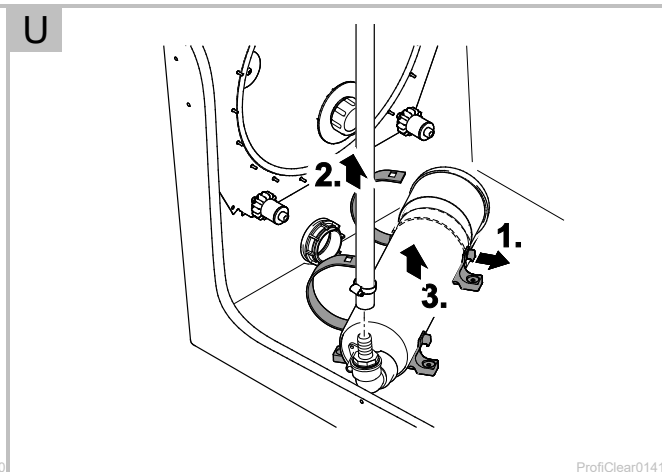
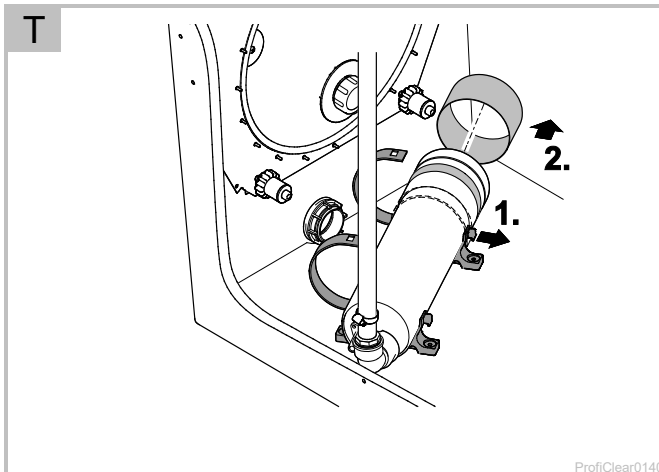


ProfiClear0137

S



ProfiClear0138



Translation of the original Operating Instructions



WARNING

- ▶ This unit can be used by children aged 8 and above and by persons with reduced physical, sensory or mental capabilities or lack of experience and knowledge if they are supervised or have been instructed on how to use the unit in a safe way and they understand the hazards involved.
- ▶ Do not allow children to play with the unit.
- ▶ Only allow children to carry out cleaning and user maintenance under supervision.
- ▶ Ensure that the unit is fused for a rated fault current of max. 30 mA by means of a fault current protection device.
- ▶ Only connect the unit if the electrical data of the unit and the power supply correspond. The unit data is to be found on the unit type plate, on the packaging or in this manual.
- ▶ Possible death or severe injury from electrocution! Before reaching into the water, disconnect all electrical units in the water from the mains.
- ▶ A damaged connection cable cannot be replaced. Dispose of the unit.

Table of Contents

1	Information about this operating manual.....	15
1.1	Warnings used in these instructions.....	15
1.2	Cross-references used in these instructions.....	15
2	Safety information.....	16
2.1	Electrical connection.....	16
2.2	Danger for persons with pacemakers.....	16
2.3	Safe operation.....	16
3	Product Description.....	17
3.1	Intended use.....	17
3.2	Unit configuration.....	18
3.3	Function description.....	19
3.4	Easy Garden Control System (EGC).....	19
4	Installation and connection.....	20
4.1	Transporting the container.....	20
4.2	Fitting the filter container.....	21
4.3	Connecting the drum filter.....	22
4.3.1	Information regarding pipes.....	22
4.3.2	Connecting the inlet.....	22
4.3.3	Fitting the UVC clarifier.....	23
4.3.4	Connecting the coarse dirt outlet.....	23
4.3.5	Connecting the dirt outlet.....	23
4.4	Connecting the control system with EGC box.....	24
4.4.1	Connecting the control system.....	24
4.4.2	Connecting the EGC box.....	24
4.4.3	Connecting an additional EGC compatible unit.....	24
4.5	Installing the control system with EGC box.....	25
4.6	Installing the capacitor box.....	25
4.7	Connecting the pond aerator.....	25
5	Commissioning/start-up.....	26
5.1	Order of starting up steps.....	27
5.1.1	Setting the level detection device.....	28
6	Operation.....	29
6.1	Control system overview.....	29
6.2	Switching ON/OFF.....	29
6.3	Operating modes.....	30
6.4	Manual cleaning.....	30
6.5	Settings in the menus.....	30
6.5.1	<i>CL</i> : Cleaning time "Cleaning".....	30
6.5.2	<i>EC</i> : Extended cleaning time "Extra Cleaning".....	31
6.5.3	<i>In</i> : Time-dependent cleaning "Interval".....	31
6.5.4	<i>E7</i> : Pump status detection.....	32
6.6	Reading out the number of cleaning cycles.....	32
6.6.1	Cleaning cycles in 24 hours.....	32
6.6.2	Total cleaning cycles.....	33
6.7	Loading default settings.....	33
6.8	System messages.....	34
7	Remedy of faults.....	36

Questions, problems, missing parts?

Before returning to your retailer, call us at 1-866-627-3435, 8 a.m.-6 p.m., EST, Monday-Friday, or email us at customer@oase-livingwater.com. Or visit our website at www.oase-livingwater.com

8	Maintenance and cleaning	38
8.1	Cleaning the device	38
8.2	Regular tasks	38
8.3	Cleaning the entire filter system.....	38
8.4	Cleaning the rinsing device	39
8.5	Cleaning the screen elements	39
8.5.1	Removing/fitting a screen element	39
8.5.2	Decalcifying the screen elements	39
8.6	Removing/fitting the filter drum	40
8.7	Cleaning the rinsing pump	40
8.8	Replacing the rinsing pump	40
8.9	Replace the aerator rod	41
9	Storage/overwintering	41
10	Wear parts	41
11	Disposal.....	41
12	Technical data	42
13	Symbols on the unit.....	43

REMINDER
CALL 1-866-627-3435
BEFORE RETURNING TO STORE.

1 Information about this operating manual

You made a good choice with the purchase of this product **ProfiClear Premium Compact-L EGC USA**. Prior to commissioning the unit, please read the instructions of use carefully and fully familiarise yourself with the unit. Ensure that all work on and with this unit is only carried out in accordance with these instructions.

Adhere to the safety information for the correct and safe use of the unit.

Keep these instructions in a safe place! Please also hand over the instructions when passing the unit on to a new owner.

1.1 Warnings used in these instructions

The warning information is categorised by signal words, which indicate the extent of the hazard.



WARNING

Indicates a possibly dangerous situation, which could lead to death or severe injuries, if not avoided.



CAUTION

Indicates a possibly dangerous situation, which could lead to medium or minor injuries, if not avoided.



NOTE

Indicates a possibly dangerous situation, which could lead to damage to property or the environment, if not avoided.



TIP

Useful tip.

1.2 Cross-references used in these instructions

- A reference to a figure, e.g. figure A.
- Reference to another section.

Questions, problems, missing parts?

Before returning to your retailer, call us at 1-866-627-3435, 8 a.m.-6 p.m., EST, Monday-Friday, or email us at customer care@oase-livingwater.com. Or visit our website at www.oase-livingwater.com

2 Safety information

2.1 Electrical connection

- ▶ Electrical installations must meet the national regulations and may only be carried out by a qualified electrician.
- ▶ A person is regarded as a qualified electrician if, due to his/her vocational education, knowledge and experience, he or she is capable of and authorised to judge and carry out the work commissioned to him/her. This also includes the recognition of possible hazards and the adherence to the pertinent regional and national standards, rules and regulations.
- ▶ For your own safety, please consult a qualified electrician.
- ▶ Switch off all units in the aquarium or disconnect the power plugs of all units before reaching into the water.
- ▶ Only connect the unit to a correctly fitted socket.
- ▶ Extension cables and power distributors (e.g. outlet strips) must be suitable for outdoor use (splash-proof).
- ▶ Protect the plug connection from moisture.

2.2 Danger for persons with pacemakers

- ▶ The impeller unit in the pump contains a magnet with a strong magnetic field that may affect the operation of pacemakers or implantable cardioverter defibrillators (ICDs). Maintain a distance of at least 8 in (0.2 m) between the implanted device and the magnet.

2.3 Safe operation

- ▶ Never operate the unit if the housing is defective!
- ▶ Never operate the unit if an electrical cable is defective!
- ▶ Never carry or pull the unit by the electrical cable.
- ▶ Route cables such that they are protected from damage and do not present a tripping hazard.
- ▶ Never carry out technical changes to the unit.
- ▶ Only carry out work on the unit that is described in this manual. If problems cannot be overcome, please contact an authorised customer service point or, if in doubt, the manufacturer.
- ▶ Only use original spare parts and accessories for the unit.
- ▶ Disconnect the unit from the power supply during thunderstorms.
- ▶ Overvoltage in the mains could lead to operating malfunctions of the unit. For information, please refer to chapter "Remedy of faults".
- ▶ Do not breathe in the spray from the rinsing device. The spray may contain harmful bacteria. When the container cover is lifted up, the rinsing device continues operating.

3 Product Description

A

The filter system must be installed above the water level of the pond. A filter pump pumps the dirty pond water out of the pond into the filter system. The clean water is returned to the pond through a pipe via gravity.

Advantages of the pump fed system:

- ▶ Minimal installation work required
- ▶ System can be easily extended
- ▶ Simple upstream connection of UVC clarifiers.
- ▶ Perfectly tailored to the AquaMax Eco Premium filter pump from OASE

3.1 Intended use

Only use the product described in this manual as follows:

- ▶ For cleaning garden ponds.
- ▶ Operate in accordance with instructions. (→ Technical data)
- ▶ Use for private purposes only.

The following restrictions apply to the unit:

- ▶ Only operate with water at a water temperature of 39 ... 95 °F (+4 ... +35 °C).
- ▶ Never use the unit with fluids other than water.
- ▶ Not suitable for salt water.
- ▶ Never run the unit without water.
- ▶ Do not use in conjunction with chemicals, foodstuff, easily flammable or explosive substances.

Questions, problems, missing parts?

Before returning to your retailer, call us at 1-866-627-3435, 8 a.m.-6 p.m., EST, Monday-Friday, or email us at customer@oase-livingwater.com. Or visit our website at www.oase-livingwater.com

3.2 Unit configuration

<input type="checkbox"/> C	Description
1	Container cover
2	Signal box with level detection device (3) and temperature probe (7) • The signal box is connected to the control system (30, 32)
3	Level detection device • Signals the water level in the filter system
4	Rollers for guiding the filter drum
6	Filter drum with 8 screen elements • Screen elements for coarse dirt down to 60 µm in size, 30 + 150 µm also available as an option
7	Temperature probe • monitors the water temperature
8	Air hose $\varnothing \frac{3}{8}$ in (\varnothing 9 mm)
9	Hel-X 13 biomedica in Moving Bed filter chamber
10	2 × outlet \varnothing 4 in (DN 110)
11	Aerator rod
12	Meshed tube • Prevents the Hel-X- biomedica from being flushed out
13	Rinsing pump for supplying the rinsing device (24)
14	1 × dirt outlet with slide valve \varnothing 3 in (DN 75)
15	2 × adapter, 2 × 30° inlet bend with union nut For connection of UVC clarifier Bitron to \varnothing 1½ in (\varnothing 38 mm) connections (18)
16	Connection set for filter pumps • 1 × hose connector \varnothing 2 in (\varnothing 50 mm), 1 × union nut for hose connector, 1 × hose clip \varnothing 1.6 ... 2.3 in (\varnothing 40 ... 60 mm), 1 × flat gasket 2.2 × 1.7 × 0.1 in (56 × 43 × 3 mm)
17	1 × inlet \varnothing 2 in (\varnothing 50 mm) • For connecting a filter pump
18	2 × inlet \varnothing 1½ in (\varnothing 38 mm), closed with sealing plugs • For connecting an optional UVC clarifier Bitron
20	1 × optional inlet \varnothing 2 in (\varnothing 50 mm) • Must be cut out, if required (connection not included in the scope of delivery)
21	1 × coarse dirt outlet \varnothing 4 in (DN 110)
22	Drum motor for filter drum • The motor is connected to the control system (30, 31)
23	Dirt channel • Collects the coarse dirt and rinsing water from the screen elements (6)
24	Rinsing device • Sprays water at high pressure onto the screen elements (6) to rinse off the coarse dirt
25	Grease for the drum seal
27	Transition piece $\varnothing \frac{3}{8}$ in to $\varnothing \frac{1}{8}$ in (\varnothing 9 mm to \varnothing 4 mm)
28	Y piece
29	2 × cable binder for fastening the air hoses to the Y piece
30	Control system with EGC box • Allows integration with cables into an EGC network.
31	Plug for connecting the drum motor
32	Socket for connecting the signal box
33	Mains connection cable
34	Connector for rinsing pump
35	Fuse holder • Fuse protection of the control system with safety fuse 5 × 20 mm, T16 A, 250 V
36	2 x cap, cap nut for fastening the EGC box • Required for mounting the EGC box on the container wall
37	Capacitor box for the rinsing pump
38	Plug for connecting the control system (34)
39	Plug for connecting the rinsing pump

3.3 Function description

ProfiClear Premium Compact combines the removal of coarse dirt particles and biological filtration in one unit. Screens separate all types of dirt particles before the water reaches the biological filtration. By separating the suspended solids, the filter removes most of the nutrient matter from the water. Following this mechanical filtration, the Hel-X bio-media in the moving bed system carry out the biological filtration of the pond water.

The control system with an integrated micro-controller system automatically controls and monitors the filtration process. The automatic self-cleaning function can be individually adjusted to meet the user's requirements.

Hel-X bio-elements ensure the effective break-down of nutrients and contaminants in the water. Over the course of time, the surface of the bio-elements is colonised by bacteria responsible for nitrification and denitrification. They clean the water before it leaves the container. The fluidized bed process (action of the water flow and oxygen supply) and the bypass technology ensure optimum movement of the Hel-X bio-elements even at high flow rates. The biological system is self-cleaning and does not need additional maintenance.

15.85 gal (60 l) of Hel-X bio-media are able to break down the nutrients of approx. 14.4 oz (408 g) of fish food per day, given optimum conditions. If required, this can be increased to 21.0 gal (80 l) or 22.5 gal (85 l), i.e. 19.2 oz/day (544 g/day) or 20.4 oz/day (578 g/day).

The development of the micro-organisms in the filter takes several days. It can be accelerated by adding biological starter bacteria.

BioKick contains millions of active micro-organisms. They start cleaning the water immediately. The biology in the filter is fully developed within only a few weeks.

Nitrification is the process by which ammonia/ammonium and nitrite are removed from the water by special bacteria. These substances can build up in the water, for example as a result of fish food and fish excrement. Ammonia is particularly toxic for fish.

Nitrification takes place in two steps. In the first step, the bacteria convert the ammonia/ammonium into nitrite. In the second step, other bacteria convert this nitrite into nitrate, which although non-toxic, promotes the growth of algae. Both steps use oxygen that is taken from the water.

Denitrification is the process by which nitrate is broken down to gaseous nitrogen. In the event of a low oxygen content, the bacteria use the nitrate nitrogen as a source of oxygen and convert it into atmospheric nitrogen. Atmospheric nitrogen cannot be used by algae and aquatic plants.

3.4 Easy Garden Control System (EGC)

This product can communicate with the Easy Garden Control-System (EGC). EGC allows convenient control in the garden and pond via smartphone or tablet, and ensures maximum convenience and reliability. Information about EGC and the possibilities it offers can be found at www.oase-livingwater.com/na/egc.

Questions, problems, missing parts?

Before returning to your retailer, call us at 1-866-627-3435, 8 a.m.-6 p.m., EST, Monday-Friday, or email us at customer@oase-livingwater.com. Or visit our website at www.oase-livingwater.com

4 Installation and connection



WARNING

Electrical current may cause death or severe injuries.

- ▶ Ensure that the unit is installed in a flood protected position at a distance of at least 6.6 ft (2 m) from the water.
-



CAUTION

Risk of injury due to sharp-edged components.

- ▶ Proceed with caution during any work on the filter container to prevent injuries caused by sharp-edged components.
-



NOTE

If the planned installation deviates significantly from the recommendations contained in this manual:

- ▶ Have your specialist retailer check whether all technical specifications were adhered to. This is crucial for a problem-free operation.
-

4.1 Transporting the container



WARNING

Due to the high weight of the unit, spinal injuries or crushing of limbs is possible when carrying the unit. The unit weighs more than 55 lb (25 kg). (→ Technical data)

- ▶ Have a minimum of 4 persons carry the container on the handles to avoid spinal injuries.
 - ▶ Protect limbs from crushing.
 - ▶ Do not transport the unit when it is filled.
-

D

The filter container has four handles for carrying. Do not use any other carrying or transport aids (e.g. transport by crane).

4.2 Fitting the filter container



TIP

The filter system operates day and night and causes rinsing noises during the automatic cleaning cycles.

- ▶ Please protect the general public and your neighbourhood from noise disturbance and comply with the statutory noise regulations.
- ▶ Enclose the filter system such that the enclosure effectively absorbs the noises.
- ▶ Select the location of the filter system in order to avoid noise disturbance.

Plan the installation of the filter system. With careful planning, taking the ambient conditions into account, you will obtain optimum operating results.

The following conditions must be met:

- ▶ As the filter module is very heavy when filled, it must be placed on a suitable base (at least on slabs, but preferably on a poured concrete base) to prevent it from subsiding.
- ▶ Horizontally align the base slab.
 - The filter system must be positioned horizontally (maximum deviation ± 0.2 in (± 5 mm)).
 - Tip: Use commercially available concrete slabs, each with a size of approx. 19.7×19.7 in (500×500 mm). Five slabs are required (one base slab for each corner and 1 for the centre).
- ▶ Plan sufficient space for carrying out cleaning and maintenance work.
- ▶ Drain the dirty water into the sewer system or far enough away from the pond to prevent it from flowing back into the pond.
 - If the coarse dirt and dirty water both run into the same pipe, use at least $\varnothing 4$ in (DN 110) pipes for this purpose.
- ▶ Position the inlet in the pond (e.g. via a stream or waterfall) so that it is lower than the outlet of the filter system.



TIP

A water course or waterfall guarantees optimum water return to the pond. In this way, the filtered pond water is enriched with oxygen before it is returned to the pond.

Questions, problems, missing parts?

Before returning to your retailer, call us at 1-866-627-3435, 8 a.m.-6 p.m., EST, Monday-Friday, or email us at customer care@oase-livingwater.com. Or visit our website at www.oase-livingwater.com

4.3 Connecting the drum filter

4.3.1 Information regarding pipes

- ▶ Use suitable pipes. Flexible couplings are more suitable than PVC connection elements for connecting inlets and outlets.
- ▶ Do not use any right-angled bends. Bends with a maximum angle of 45° are very efficient.
- ▶ Glue plastic pipes to ensure a permanent and reliable joint or use socket joints with clips to stop them from coming apart.
- ▶ Standing water in pipes can freeze when there is severe frost and cause pipes to burst. For this reason, lay pipes and hoses with an incline of 6 in/10 ft (50 mm/m), so that they can drain completely.

4.3.2 Connecting the inlet



WARNING

The container is made of glass fibre reinforced plastic. Hazardous glass fibre particles are released during drilling or sanding.

- ▶ Always wear a suitable respirator mask when drilling or sanding.
-

The filter system is equipped with a \varnothing 2 in (\varnothing 50 mm) inlet for the filter pump. If necessary, the connection set (18798) can be used to install a second inlet for an additional filter pump. This does not change the flow rate of the filter system.

- ▶ Markings for the through holes of the second inlet are provided on the container wall. Ensure that the through hole is cut out.
- ▶ Leave any unused inlets closed.
- ▶ You can also connect a UVS clarifier. (→ Fitting the UVC clarifier)

How to proceed:

E

1. Undo the threaded cap with flat seal from the connection.
2. Screw the union nut with the \varnothing 2 in (\varnothing 50 mm) hose connector and flat gasket onto the connection. Hand-tighten the union nut.
3. Push the \varnothing 2 in (\varnothing 50 mm) hose of the filter pump onto the hose connector and secure it with a hose clip.

4.3.3 Fitting the UVC clarifier

The Bitron UVC clarifier is fitted to the filter container. This does not change the flow rate of the filter system.

- ▶ It is necessary to remove a screen element to access the sealing plugs. (→ Removing/fitting a screen element)
- ▶ For operation with two filter pumps, one filter pump is connected to the UVC clarifier, the other to the inlet. (→ Connecting the inlet)



TIP

A non-return valve is installed in the connection for the filter pump to prevent water from returning. If a filter pump each is to be connected to the Bitron and to the connection for the filter pump, the pump on the connection for the filter pump can be switched on/off as required without any problems.

How to proceed:

F

1. Undo the screws with a screwdriver and remove the sealing plugs.
2. Guide the outlet sockets of the Bitron with flat seals through the holes in the container wall.
3. Screw the adapters onto the outlet sockets and hand-tighten.
4. Screw the 30° inlet bends with cap nuts onto the adapters and hand-tighten.
 - Position the inlet bends so that they are pointing downwards.
 - Correctly positioned inlet bends prevent unintended overflow (emptying of the pond) and also serve to reduce noise emissions.
5. Connect the Bitron to the filter pump in accordance with the operating manual.

4.3.4 Connecting the coarse dirt outlet

G

The coarse dirt accumulated in the dirt channel drains away via the \varnothing 4 in (DN 110) coarse dirt outlet (top outlet on the container on the inlet side).

- ▶ A flexible coupling is more suitable than a PVC connection element for simple connection of the outlet.
- ▶ Connect a suitable \varnothing 4 in (DN 110) pipe and drain the dirty water into the sewer system.

4.3.5 Connecting the dirt outlet

If necessary (cleaning, repair, winter storage), the water in the container can be drained via the \varnothing 3 in (DN 75) slide valve (at the bottom of the container).

- ▶ Connect a suitable \varnothing 3 in (DN 75) pipe and drain the dirty water into the sewer system.

How to proceed:

H

1. Remove the cap nuts and push the dirt outlet onto the connection.
2. Fit and tighten the cap nuts, tighten the hose clip.
3. Connect the pipe.



TIP

Bring together the \varnothing 3 in (DN 75) pipe for the dirt outlet and the \varnothing 4 in (DN 110) pipe for the coarse dirt outlet and drain the dirty water into the sewer system through a joint \varnothing 4 in (DN 110) pipe. This will ensure that the dirty water pipe will be conveniently flushed out with sufficient pressure.

Questions, problems, missing parts?

Before returning to your retailer, call us at 1-866-627-3435, 8 a.m.-6 p.m., EST, Monday-Friday, or email us at customercare@oase-livingwater.com. Or visit our website at www.oase-livingwater.com

4.4 Connecting the control system with EGC box

4.4.1 Connecting the control system

The cable harness contains the connection cables of the signal box, the drum motor and the rinsing pump. These connection cables have to be connected, the EGC box is already connected.

I

How to proceed:

- ▶ Connect the three connectors of the cable harness to the sockets of the control system and the capacitor box. Hand-tighten the union nuts.
 - The connections are designed to prevent reverse polarity.
 - First flood the container with water, then connect the control system to the mains voltage/power supply.

4.4.2 Connecting the EGC box

Integration of the filter system into the EGC network is optional and not necessary for operation. (→ Easy Garden Control System (EGC))

The Connection Cable EGC cable is required for connecting the EGC box.

The correct fastening of the plug connector is important for a secure connection and an interference-free EGC network.

How to proceed:

I, L, M

1. Remove the protection cap from the unit.
2. Fit the plug connector and secure with the two screws (max. 18 lb-in (2.0 Nm)).
 - Ensure that the rubber seal is clean and fits exactly.
 - Replace the rubber seal if damaged.
3. Remove the protection cap from EGC-OUT of the last unit in the EGC network, fit the terminal resistor EGC and secure it with the two screws (max. 18 lb-in (2.0 Nm)).
 - Ensure that the terminal resistor EGC instead of an EGC connection cable is installed on EGC-OUT of the last unit in the EGC network to ensure that the EGC network is closed off properly.
 - The scope of delivery of InScenio EGC Controller includes a terminal resistor EGC.

4.4.3 Connecting an additional EGC compatible unit

An additional EGC compatible unit can be connected to the EGC box.

- ▶ Ensure the correct connection. (→ Connecting the EGC box)

How to proceed:

L, M

1. Remove the protection cap from EGC-OUT on the EGC box and fit the plug connector of the EGConnection Cable.
2. Remove the protection cap from EGC-IN on the additional unit and fit the other plug connector of the EGC Connection Cable.
3. Remove the protection cap from EGC-OUT of the additional unit, fit the terminal resistor and secure it with the two screws (max. 18 lb-in (2.0 Nm)) or connect another EGC-compatible unit.

4.5 Installing the control system with EGC box

- ▶ Install the control system at a minimum distance of 6.6 ft (2 m) from the pond.
- ▶ Protect the control system from direct sunlight.
- ▶ The control system is splash-proof and may be exposed to rain.

How to proceed:

J

1. Either attach the control system and EGC box to the container wall or use threaded hooks to mount it in different position.
2. If the EGC box is attached to the container wall, fit both caps onto the cap nuts.
 - The caps fix the EGC box in place.

4.6 Installing the capacitor box

K

The capacitor box is connected to the container wall. If the control unit is suspended from the opposite container wall, the capacitor box must also be installed there.

4.7 Connecting the pond aerator

- ▶ Connect the aerator rod in the container to an external aerator pump. OASE recommends:

Volume Hel-X biomedica	Minimum air volume	OASE recommendation
15.9 gal (60 l)	317 gph (1200 l/h) at 1.0 mH2O	AquaOxy 450
21/22.5 gal (80/85 l)	528 gph (2000 l/h) at 1.2 mH2O	-

How to proceed:

N

1. Connect the hose from the external aerator pump to the air connection and insert the air connection in the container.
 - For thinner $\varnothing \frac{1}{8}$ in ($\varnothing 4$ mm) hoses, use the $\varnothing \frac{1}{8}/\frac{3}{8}$ in ($\varnothing 4/9$ mm) adapter and secure the connections with cable ties, if necessary.



TIP

During the run-in period, only use an air volume of 264 gph (1000 l/h) to circulate the Hel-X biomedica. Excessive turbulence delays the initial colonisation of micro-organisms.



TIP

If the movement of the Hel-X biomedica in the bio chamber keeps stopping, move the bubbler stone slightly to optimise circulation.

Questions, problems, missing parts?

Before returning to your retailer, call us at 1-866-627-3435, 8 a.m.-6 p.m., EST, Monday-Friday, or email us at customer@oase-livingwater.com. Or visit our website at www.oase-livingwater.com

5 Commissioning/start-up

- ▶ Thoroughly clean the pond before starting up the filter system for the first time to ensure that the filter system is not overloaded by excessively soiled water. OASE recommends using the PondoVac pond vacuum cleaner for cleaning the pond.
 - This cleaning measure is normally not necessary for newly installed ponds.
 - ▶ It is necessary to operate the filter system for 24 hours a day during the pond season.
-



WARNING

Possible death or severe injury from hazardous electrical voltage!

- ▶ Prior to reaching into the water, isolate (switch off and disconnect) all units/devices used in the water.
 - ▶ Isolate the device (disconnect from the power supply) before carrying out any work on it.
-



NOTE

A dimmer or timer will destroy the device.

- ▶ Only connect the device to a power supply without dimmer.
 - ▶ Do not use a timer.
-



NOTE

Never allow the rinsing pump to run dry. Possible consequences: The rinsing pump will be destroyed.

- ▶ Check the water level at regular intervals. Ensure that the rinsing pump is always under water during operation.
 - ▶ Do not switch on the control system until the container is flooded with water.
-



TIP

During commissioning, ~~Er 88~~ is indicated in the display of the control system,

- ▶ for as long as the final water level is not reached in the filter container,
- ▶ when the pump status detection is not correctly set.

If the filter system operates correctly, the system message will reset automatically.

5.1 Order of starting up steps

How to proceed:

C

1. Close the slide valve for the dirt outlet at the bottom of the container.
2. Check that the entire filter system (pipes and hoses) is complete.
3. Remove the container cover.
 - The filter drum is stopped for safety reasons if the filter cover is lifted and *Err* is indicated in the display of the control system.

Moving bed filter chamber

The Moving Bed filter chamber contains three 5.3 gal sacks (20 l) of Hel-X 13 biomedica (15.9 gal (60 l)). Optionally, 21.1 gal (80 l) can be used instead (supplementary kit, order no.: 43383).

4. Tip the Hel-X biomedica from the bags into the moving bed filter chamber.
 - Ensure that the Hel-X biomedica can move around freely in the container.
 - It can take several weeks for the Hel-X biomedica to become completely colonised. Uncolonised Hex-X biomedica tend to float more.



TIP

When using the supplementary kit, add the biomedica gradually. Recommendation: max. 1.3 gal (5 l) per week.

Filter drum

5. Manually turn the filter drum for one whole rotation to ensure unobstructed movement.
6. Fill the filter with water until the rinsing pump is submerged (dry run protection of the rinsing pump).
7. Fit the container cover.

Switching on the control system and additional units, checking the pipes

8. Switch on the control system and perform any necessary adjustments. (→ Operation)
9. Switch on the filter pump and UVC clarifier (if applicable).
 - Ensure that the water is returned to the pond via the return pipe.
10. Check all pipes, hoses and their connections for leaks.
 - Expansion seals may leak initially until they have fully expanded on contact with water.
11. Adjust the level detection device, if necessary. (→ Setting the level detection device)



TIP

It takes approx. 3 to 4 weeks before the micro-organisms in new filters are fully established. During this time - or at a water temperature of <math>< 50\text{ }^\circ\text{F}</math> (<math>< 10\text{ }^\circ\text{C}</math>) – the filter may overflow. In this case the filter does not need to be cleaned.

- ▶ When using filter starters, medicines or pond water treatments, leave the UVC pre-clarifier switched off for at least 36 hours so as not to impair their efficacy.

Questions, problems, missing parts?

Before returning to your retailer, call us at 1-866-627-3435, 8 a.m.-6 p.m., EST, Monday-Friday, or email us at customer@oase-livingwater.com. Or visit our website at www.oase-livingwater.com

5.1.1 Setting the level detection device

A rise in the water level during operation indicates that the system is contaminated. The level detection device signals possible soiling to the control system and the cleaning cycle is started.

The water level in the filter system is independent of the water level in the pond. The water level in the filter system is dependent upon the circulation capacity. Therefore it may be necessary to adjust the level detection device.

The level detection device can be fitted in two positions.

- ▶ Position 1: Suitable for circulation capacities greater than 3963 gph (15000 l/h) (delivery condition).
- ▶ Position 2: Suitable for circulation capacities lower than 3963 gph (15000 l/h) and fewer automatic cleaning intervals.

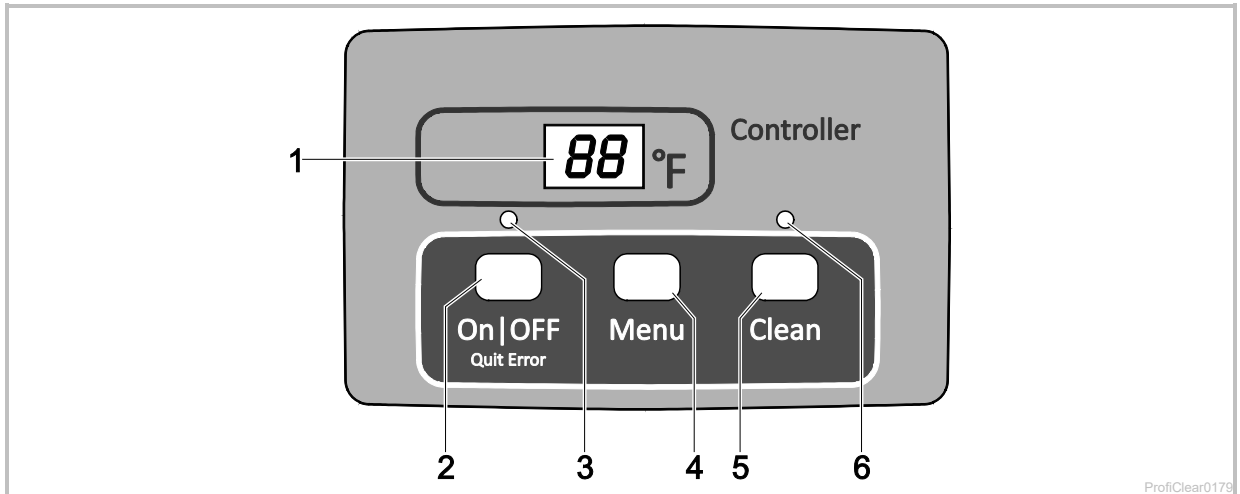
How to proceed:

O

1. Undo both lock nuts. Remove nuts and Allen screws.
2. Move the level detection device according to the hole pattern and fix in place with Allen screws and lock nuts. Tighten both nuts.

6 Operation

6.1 Control system overview





- 1 Display
 - for displaying the operating status
 - for displaying the menus and values for setting the drum filter
 - Pump status display
 - the current water temperature [°F] is displayed as standard
- 2 On|Off button, Quit Error
 - for switching the drum filter on or off
 - for resetting error messages
- 3 LED, 2 colours
 - LED is lit red: Control system switched OFF (*OFF*)
 - LED is lit green: Control system switched ON (*ON*)
- 4 Menu button

For selecting the following menus and changing the values:

 - cleaning time "Cleaning" (*CL*)
 - extended cleaning time "Extra Cleaning" (*EL*)
 - time-dependent cleaning "Interval" (*IN*)
 - Pump status detection (*ET*)
- 5 Clean button
 - for starting the manual cleaning cycle and for cancelling the active cleaning cycle
 - LED (6) is lit when the cleaning cycle is active
- 6 Blue LED
 - LED is lit: Cleaning cycle active

6.2 Switching ON/OFF

Proceed as follows	Information
Switching on: Press  for 3 s. • LED (3) is lit green. • The display indicates <i>ON</i> for approx 5 s.	<ul style="list-style-type: none"> • The display indicates the water temperature by default. • If there is a voltage interruption, the control system will remain switched on.
Switching off: Press  for 3 s. • LED (3) is lit red. • The display indicates <i>OFF</i> .	<ul style="list-style-type: none"> • The control system switches off all functions. • If there is a voltage interruption, the control system will remain switched off.


Questions, problems, missing parts?

Before returning to your retailer, call us at 1-866-627-3435, 8 a.m.-6 p.m., EST, Monday-Friday, or email us at customercare@oase-livingwater.com. Or visit our website at www.oase-livingwater.com

6.3 Operating modes

Description	Information
Automatic mode: • Operating mode for normal operation.	<ul style="list-style-type: none"> • The display indicates the water temperature as standard. • A cleaning cycle is automatically started if the level detection device signals an excessive deviation in the water level. • The level exceeds a certain water level. • After 20 automatic cleaning cycles, a cleaning cycle with extended cleaning time is performed.
Time-dependent operation	<ul style="list-style-type: none"> • In addition to the automatic cleaning cycle (depending on the water level in the drum filter), a time-controlled cleaning cycle can be executed. (→ <i>ln</i>: Time-dependent cleaning "Interval") • The duration of the cleaning cycle corresponds to the time set in the cleaning time "Cleaning" menu. (→ <i>ℓL</i>: Cleaning time "Cleaning")

6.4 Manual cleaning

Proceed as follows	Information
Press for  3 s • LED (6) is lit • The display indicates <i>ℓL</i> • To cancel the process: Press the button again	<ul style="list-style-type: none"> • The drum motor is stopped for safety reasons if the filter cover is lifted. The rinsing pump can still be manually started to check the function of the nozzles. • Each active cleaning cycle (automatic, time-dependent or manual) can be stopped by pressing the button.

6.5 Settings in the menus












TIP

Settings can only be made in the menus when the control system is switched on.

6.5.1 *ℓL*: Cleaning time "Cleaning"

Setting the cleaning time changes the duration of the cleaning cycle. Extend the cleaning time if the dirt is not completely carried away by the water. This may become necessary if, for instance, very long drain pipes or drain pipes with many bends were installed or there is a particularly large amount of sticky dirt (e.g. during spawning).

Please take into consideration that an extended cleaning time leads to increased water consumption. The default setting of 10 s is normally sufficient (corresponds to approx. a $\frac{7}{8}$ drum rotation).

Proceed as follows	Information
1. Press  several times until <i>ℓL</i> appears in the display.	• To cancel and exit the menu: Either wait for 10 s or press  or  .
2. Press  for 5 s until the time is indicated in the display.	• To cancel and exit the menu: Either wait for 5 s or press  or  .
3. Press  several times to change the value. • To change the value quickly: Hold down the button	<ul style="list-style-type: none"> • Adjustable range: 10 – 30 s • Increment: 1 s • The number can only be changed upwards. Once the value 30 is reached, the display returns to 10. • Saving the set value: Wait for 5 s until the menu is automatically exited. • Cancel without saving and exit the menu: Press  or .

6.5.2 **EC: Extended cleaning time "Extra Cleaning"**

To prevent larger deposits from building up in the dirt channel or pipework, the unit has an extended cleaning time option. The extended cleaning time starts after a definable number of cleaning cycles. (→ *I_n*: Time-dependent cleaning "Interval")

You can increase the cleaning time to flush out the pipe with additional water. The default setting for the extended cleaning time is 20 s.

Proceed as follows		Information
1.	Press Menu several times until EC appears in the display.	To cancel and exit the menu: Either wait for 10 s or press On/Off or Clean .
2.	Press Menu for 5 s until the cleaning time is indicated in the display.	To cancel and exit the menu: Either wait for 5 s or press On/Off or Clean .
3.	Press Menu several times to change the value. <ul style="list-style-type: none"> To change the value quickly: Hold down the button. 	<ul style="list-style-type: none"> Adjustable range: 10 s – 9 min. – A value in minutes is displayed with a line on the display (e.g. 5'). Increment for 10 – 59 s: 1 s Increment for 1 – 9 min: 1 Min. The number can only be changed upwards. After the value 9 min, the display returns to 10. Saving the set value: Wait for 5 s until the menu is automatically exited. Cancel without saving and exit the menu: Press On/Off or Clean.

6.5.3 **I_n: Time-dependent cleaning "Interval"**

In addition to automatic cleaning, the unit can also perform a time-dependent cleaning cycle. This is particularly useful for ponds containing fish, because even if there is only a small amount of dirt, excrement is always removed from the water cycle before it leads to a build-up of nutrients.

Adjust the time interval to meet the requirements. The Drum Filter Module is normally optimally set with a time interval of 20 minutes (default setting). The function is deactivated with a time setting of 0 minutes.

The time-dependent cleaning cycle does not have any influence on the automatic cleaning cycle that starts when the water level is too low. After each automatic cleaning cycle, the time interval is reset and starts again from the beginning.

Proceed as follows		Information
1.	Press Menu several times until I_n appears in the display.	• To cancel and exit the menu: Either wait for 10 s or press On/Off or Clean .
2.	Press Menu for 5 s until the time is indicated in the display.	• To cancel and exit the menu: Either wait for 5 s or press On/Off or Clean .
3.	Press Menu several times to change the value. <ul style="list-style-type: none"> To change the value quickly: Hold down the button. 	<ul style="list-style-type: none"> Adjustable range: 0.3 – 60 min 0 min: No time-dependent cleaning Increment: 1 min The number can only be changed upwards. Once the value 60 is reached, the display returns to 0. Saving the set value: Wait for 5 s until the menu is automatically exited. Cancel without saving and exit the menu: Press On/Off or Clean.

Questions, problems, missing parts?

Before returning to your retailer, call us at 1-866-627-3435, 8 a.m.-6 p.m., EST, Monday-Friday, or email us at customer@oase-livingwater.com. Or visit our website at www.oase-livingwater.com

6.5.4 E7: Pump status detection

(deactivated for pumped system)

The pump status detection signals whether the pump is operating properly via the *Er88* system message. The status detection is deactivated in the default setting.

If the system message *Er77* or *Er88* is displayed, it is necessary to change the status detection manually.



Proceed as follows	Information
1. Press Menu several times until <i>E7</i> appears in the display.	<ul style="list-style-type: none"> To cancel and exit the menu: Either wait for 10 s or press On/Off or Clean.
2. Keep Menu pressed for 5 s until the value 0 or 1 is indicated in the display.	<ul style="list-style-type: none"> To cancel and exit the menu: Either wait for 5 s or press On/Off or Clean.
3. Press Menu to change the value.	<p>Adjustable range: 0 or 1</p> <ul style="list-style-type: none"> 0: The pump status detection is deactivated. 1: The pump status detection is activated. <p>Important: Ensure that the value is set to 0 (status detection deactivated).</p> <ul style="list-style-type: none"> Cancel without saving and exit the menu: Press On/Off or Clean.

6.6 Reading out the number of cleaning cycles



6.6.1 Cleaning cycles in 24 hours

Proceed as follows	Information
Press Menu and Clean for 5 s.	<p>The sum of the automatic and time-dependent cleaning cycles is saved. The 4-digit value is displayed in groups of two digits that appear in succession in the display.</p> <p>Example: <i>01-17</i>: Represents 117 cleaning cycles The number is repeated five times after an extended pause to make it easier to read: <i>01-17--01-17--01-17--01-17--01-17</i></p> <p>Note: If the mains voltage is switched off, the counter is reset to 0.</p> <p>Note: Due to the self-test of the filter system very different values may be displayed. The self-test monitors the automatic cleaning process. The test is carried out continuously in a 2 × 24 hour cycle. The test is only active from a water temperature >53.6 °F.</p> <ul style="list-style-type: none"> First 24 hour cycle <ul style="list-style-type: none"> – If at least one automatic cleaning process is detected, the cycle is repeated after the cleaning process has finished. – If no automatic cleaning process is detected, the second 24 hour cycle starts once the first has finished. Second 24 hour cycle <ul style="list-style-type: none"> – The time-dependent cleaning cycle is deactivated. This reduces the number of cleaning cycles. – If at least one automatic cleaning process is detected, the first 24 hour cycle starts again once the cycle has finished. – If no automatic cleaning process is detected, the system message <i>Er22</i> is triggered at the end of the cycle. The time-dependent cleaning cycle starts again. If an automatic cleaning process is then detected, the first 24 hour cycle starts again. The system message <i>Er22</i> is automatically reset.

6.6.2 Total cleaning cycles

How to proceed	Information
Press  and  for 5 s.	The sum of the automatic, manual and time-dependent cleaning cycles is saved. The 8-digit value is divided into four groups of two digits that appear in the display in succession. Example: <i>00-00-12-44</i> : Corresponds to 1244 cleaning cycles The number is repeated four times after an extended pause to make it easier to read: <i>00-00-12-44---00-00-12-44--00-00-12-44--00-00-12-44</i> Note: If the mains voltage is switched off, the number of cycles is rounded off to the nearest hundred and saved.

6.7 Loading default settings

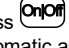

Proceed as follows	Information
Press  and  for 10 s until rE appears in the display.	All individually set values are overwritten! The following values are set: <ul style="list-style-type: none"> • Cleaning time t_L: 10 s • Extended cleaning time t_E: 20 s • Interval of the time-dependent cleaning t_n: 20 min


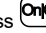
Questions, problems, missing parts?

Before returning to your retailer, call us at 1-866-627-3435, 8 a.m.-6 p.m., EST, Monday-Friday, or email us at customer@oase-livingwater.com. Or visit our website at www.oase-livingwater.com

6.8 System messages

The 4-digit system message is indicated in the display by two groups of two digits in succession.

System message		Functions that are still available	Possible cause	Remedy	Resetting the system message
Er11	Container cover raised	<ul style="list-style-type: none"> Manual cleaning (only nozzles, filter drum not rotating) 	Container cover raised	Refit the container cover	Automatic when the container cover is fitted.
			Container cover incorrectly fitted	Turn the container cover around so that the magnets in the container cover are located over the signal box	
			Signal box not connected	Connect the signal box to the control system	
Er22	Water temperature >53.6 °F (12 °C) AND the last automatic cleaning process was carried out more than 24 hours ago	<ul style="list-style-type: none"> Manual cleaning Automatic mode Time-dependent cleaning 	Screen elements leaking	Check screen elements, replace if necessary	<ul style="list-style-type: none"> Press  key for 5 s Automatic as soon as the level detection device is triggered
			Drum seal leaking	Check the drum seal	
			Level detection device stuck or defective	Clean the level detection device to ensure that the mechanics operate freely, replace if necessary.	
		Level detection device set incorrectly	Adjusting the level detection device		
		<ul style="list-style-type: none"> Manual cleaning Automatic mode 	24 hour check mode is active and time-dependent cleaning is deactivated.	Time-dependent cleaning is automatically activated by floats after check mode.	
Er33	20 cleaning cycles in succession	<ul style="list-style-type: none"> Manual cleaning Time-dependent cleaning 	Level detection device stuck or defective	Clean the level detection device to ensure that the mechanics operate freely, replace if necessary.	Press  key for 5 s
			Screen elements heavily soiled	Clean/descale the screen elements (→ Removing/fitting a screen element)	
			Rinsing pump not operating	<ul style="list-style-type: none"> Clean the bottom of the container, clean the rinsing pump (→ Cleaning the rinsing pump) Check the pump connection 	
			Rinsing nozzle clogged	Clean the rinsing nozzle	
			Filter drum not rotating	<ul style="list-style-type: none"> Check the motor connection Check the rotating movement of the filter drum. Tip: Mark the filter drum and check on the basis of the markings if the drum rotates.	
			Level detection device set too low	Adjusting the level detection device	
			Water level in the system too high: <ul style="list-style-type: none"> Outlet pipes soiled Outlet opening too small Excessive flow quantity (pump capacity too high) The pond water is very dirty and the filter pump is conveying an excessive amount of dirt. A large amount of dirt has entered the filter system, water is flowing over (instead of through) the foam filters. 	<ul style="list-style-type: none"> Clean outlet pipes Enlarge outlet opening Reduce flow quantity (adjust pump capacity) Thoroughly clean the pond. Install the pump in an elevated position. Clean foam filters 	

System message		Functions that are still available	Possible cause	Remedy	Resetting the system message
Er44	Motor blocked (The control system attempted to start up the motor three times - 5 times per attempt)	None	Filter drum rotating sluggishly or jammed	<ul style="list-style-type: none"> • Clean edge of the drum/drum seal and grease edge of the drum Only use original OASE grease (order number 27872). • Ensure that the rollers move smoothly • Remove larger particles (e.g. snails, stones) from the sprocket 	Press  key for 5 s
			The lips of the drum seal were squeezed when the drum was installed.	Disassemble the drum and ensure that the drum seal is positioned correctly during re-assembly	
			The drum load is distributed unevenly	Align the container horizontally	
Er55	More than 960 cleaning cycles in 48 hours	<ul style="list-style-type: none"> • Manual cleaning • Automatic mode • Time-dependent cleaning 	Temporary heavy soiling <ul style="list-style-type: none"> • Start-up phase of the filter system (e.g. during the first start-up) • Fish are spawning 	Wait until the soiling decreases <ul style="list-style-type: none"> • This operating status is atypical. Avoid long-term operation in this state. 	<ul style="list-style-type: none"> • Press  key for 5 s • Automatic if the number of cleaning procedures drops below 960.
			Pond heavily soiled	<ul style="list-style-type: none"> • Clean the pond • Reduce the amount of soiling • Install the filter pump in an elevated position. 	
			Screen elements heavily soiled	Clean the screen elements, descale (→ Replacing screen element)	
			Insufficient cleaning effect due to soiled nozzle	• Clean nozzle	
			Water level in the system too high: <ul style="list-style-type: none"> • Outlet pipes soiled • Outlet opening too small • Max. flow rate exceeded • A large amount of dirt has entered the filter system, water is flowing over (instead of through) the foam filters. 	<ul style="list-style-type: none"> • Clean outlet pipes • Enlarge outlet opening • Reduce flow rate • Clean foam filters 	
Er66	Switch element for rinsing pump in the control system overheated	None	Control system is exposed to excessive heat (sun, ambient temperature)	Protect the control system from heat	Automatic when cooled down
Er88	The filter pump is not supplying any water or insufficient water.	<ul style="list-style-type: none"> • Manual cleaning • Automatic mode • Time-dependent cleaning 	Pump status detection incorrectly set	Set the pump status detection. (→ Er7: Pump status detection)	Automatic after elimination of the cause
			The filter pump is switched off.	Switch on the filter pump.	
			The impeller unit of the filter pump is blocked.	Clean the filter pump.	

Questions, problems, missing parts?

Before returning to your retailer, call us at 1-866-627-3435, 8 a.m.-6 p.m., EST, Monday-Friday, or email us at customercare@oase-livingwater.com. Or visit our website at www.oase-livingwater.com

7 Remedy of faults

Malfunction	Possible cause	Remedy
No flow of water	Filter pump not switched on.	Switch on the filter pump, connect the power plug.
	Supply to filter system or return to pond blocked.	Clean the supply and/or return.
Water flow insufficient	Bottom drain, pipe or hose blocked	Clean, replace if necessary.
	Hose kinked	Check hose, and replace if necessary.
	Excessive loss in lines	Reduce line length to necessary minimum.
Water remains cloudy	Insufficient pump capacity	Adjust the pump capacity accordingly
	The water is extremely soiled.	<ul style="list-style-type: none"> Remove algae and leaves from the pond. If the water is particularly contaminated, change 30 % of the water to avoid damage to the fish.
	Dirt particles are not reaching the Drum Filter Module.	<ul style="list-style-type: none"> Optimise the water flow so that the skimmer and/or the filter pump can draw in the dirt particles. Align the skimmer and/or filter pump in relation to the water flow so that they can draw in dirt particles.
	Too many pond animals	Reduce number of pond animals
	Screen elements clogged or damaged	Clean or replace screen elements
	Drum seal incorrectly positioned	Check the seating of the drum seal
	Drum seal is damaged	Replace the drum seal
Unusual noises in the drum	Large dirt particles have collected in the filter drum	Remove a screen element and remove dirt particles from the filter drum
Rinsing channel blocked	Large particles of dirt such as string algae are blocking the dirt channel.	Remove a screen element and clean the dirt channel.
Filter drum is partially soiled, cannot be cleaned	Rinsing nozzle clogged	Clean the rinsing nozzle, replace if necessary
Water is flowing via the emergency overflow.	Screen elements clogged	Clean/descale the screen elements
	Pump capacity too high	Reduce the pump capacity.
	The pipe of the dirt outlet is blocked.	Clean the pipe
Time-dependent cleaning function (interval) does not start	<p>The control system checks the function of the level detection device.</p> <ul style="list-style-type: none"> This check is started automatically if too few automatic cleaning procedures have been carried out. 	<ul style="list-style-type: none"> Wait. The check takes a maximum of 24 hours. The check is completed once the level detection function is triggered. An automatic cleaning procedure is carried out. If the level detection device is not triggered within 24 hours, <i>Er22</i> is displayed. The time-dependent cleaning cycle is activated. (→ System messages)
No display on the control system	Cable not connected	Check cable connection
	Control system has switched off due to overheating (temperature switch)	<p>Protect the control system from heat and allow it to cool down.</p> <ul style="list-style-type: none"> The control system will switch back on automatically when it has cooled down. Error message <i>Er55</i> gives a warning before the control system overheats.
	Safety fuse has tripped due to a blockage of the rinsing pump (excessive current consumption)	<p>Clean the rinsing pump(→ Cleaning the rinsing pump)</p> <p>Replace the fuse (→ Technical data)</p>
Oil film in the drum filter module	Harmless food-grade oil may leak from a new rinsing pump for a short time when first used	No measure is necessary
Water contains too much ammonia/nitrite.	Insufficient Hel-X biomedica used	Use more Hel-X biomedica if necessary.
	Unit has only been in operation for a short time.	The full biological cleaning effect is only achieved after several weeks.

Malfunction	Possible cause	Remedy
Hel-X biomedial are being flushed out.	The meshed tube has slipped.	Correct the position of the meshed tube
	Defective meshed tube	Replace the meshed tube
Less movement of the Hel-X biomedial	Aerator rod is blocked.	Replace the aerator rod.
	Aerator pump malfunction	Check the aerator pump.
Less movement of the new Hel-X biomedial	Hel-X biomedial are not yet fully colonised.	It takes several weeks for the biomedial to become colonised by bacteria. Wait for the natural process to take place.

Questions, problems, missing parts?

Before returning to your retailer, call us at 1-866-627-3435, 8 a.m.-6 p.m., EST, Monday-Friday, or email us at customer@oase-livingwater.com. Or visit our website at www.oase-livingwater.com

8 Maintenance and cleaning



WARNING

Possible death or severe injury from hazardous electrical voltage!

- ▶ Prior to reaching into the water, isolate (switch off and disconnect) all units/devices used in the water.
 - ▶ Isolate the device (disconnect from the power supply) before carrying out any work on it.
-



CAUTION

Risk of injury due to sharp-edged components.

- ▶ Proceed with caution during any work on the filter container to prevent injuries caused by sharp-edged components.
-

8.1 Cleaning the device

- ▶ Do not use aggressive cleaning agents or chemical solutions as they could attack the housing or impair the function of the unit.
- ▶ Recommended cleaning agent for removing stubborn limescale deposits:
 - Pump cleaning agent PumpClean from OASE.
 - Vinegar- and chlorine-free household cleaning agent.
- ▶ After cleaning, thoroughly rinse all parts in clean water.

8.2 Regular tasks

The filter system is self-cleaning. Carry out the following work regularly to ensure the optimum cleaning capacity of the filter system.

Regular checks

- ▶ Check the display of the control system for any system messages. (→ System messages)
- ▶ Check the area in front of the separating plate and the inside of the filter drum for excessive soiling (e.g. string algae). To do this, remove a screen element. (→ Removing/fitting a screen element)

Removing accumulated dirt

Dirt that cannot be collected by the filter drum, sinks to the bottom and has to be removed.

- ▶ Open the slide valve for the dirt drain (at the bottom of the container) for 10 seconds once a month.
- ▶ Remove accumulated dirt in front of the filter drum.
- ▶ Remove string algae from the dirt channel.
- ▶ Remove accumulated dirt from the level detection device.

8.3 Cleaning the entire filter system

- ▶ The entire filter system only needs to be taken out of operation for cleaning and maintenance if it is extremely soiled.
- ▶ Do not use any chemical cleaning agents as they would kill the filter bacteria.

How to proceed:

1. Switch off all filter pumps.
2. Switch off all other electrical units of the filter system (e.g. UVC clarifier).
3. Open the slide valve for the dirt outlet at the bottom of the container and dispose of the soiled water in a permissible way.
4. Carry out cleaning measures.
 - Rinse the Hel-X bio-elements in the container with running water.
5. Close the slide valve (dirt outlet).
6. Start up the filter system again. (→ Commissioning/start-up)

8.4 Cleaning the rinsing device

How to proceed:

P

1. Remove the cover and start a manual cleaning cycle to check that the rinsing nozzles are functioning perfectly. (→ (Manual cleaning))
2. Loosen the union nut on a clogged nozzle, remove it together with the nozzle and seal from the rinsing pipe and clean the parts.
3. Push the union nut onto the nozzle and screw it together with the seal onto the rinsing pipe.
 - Align the nozzle so that the marking is at the top.
 - Hand-tighten the union nut.
 - Replace the cover.

8.5 Cleaning the screen elements

8.5.1 Removing/fitting a screen element

How to proceed:

Q

Removing

1. Turn the filter drum manually until the screen element is located opposite the drum motor. Undo the locking mechanism (turn through 180°).
2. Lower the screen element completely into the filter drum.
3. Remove the screen element from the filter drum.

Fitting

4. Lower the screen element completely into the filter drum.
5. Turn the screen element and push the two hinges onto the support of the filter drum.
6. Use the cross element to pull the screen element up.
7. Close the locking mechanism (turn through 180°).

8.5.2 Decalcifying the screen elements

The error messages *Er-33*, *Er-55* or an excessive rise in the frequency of cleaning cycles (counter) indicate that there are limescale deposits on the screen elements. (→ Reading out the number of cleaning cycles)

Oase recommends that you descale the unit every two to three months as a preventative measure if the water is very hard.

Recommended descaling agent:

- ▶ Soak screen elements in vinegar concentrate (20 ... 25 % acid) until the limescale deposits have dissolved.
- ▶ Sprinkle citric acid powder onto moistened screen elements and allow it to react until the limescale deposits are dissolved.
- ▶ Recommended cleaning agent for removing stubborn limescale deposits:
 - Pump cleaning agent PumpClean from OASE.
 - Vinegar- and chlorine-free household cleaning agent.

How to proceed:

1. Remove the screen element. (→ Removing/fitting a screen element)
2. Remove limescale from the screen element.
 - Do not remove the rubber seal of the screen element.
3. Scrub the screen element with a soft brush under running water and rinse well.
4. Refit the screen element.

Questions, problems, missing parts?

Before returning to your retailer, call us at 1-866-627-3435, 8 a.m.-6 p.m., EST, Monday-Friday, or email us at customer@oase-livingwater.com. Or visit our website at www.oase-livingwater.com

8.6 Removing/fitting the filter drum

Remove a screen element to allow work to be carried out inside the filter drum. (→ Removing/fitting a screen element)

Removing

How to proceed:

R

1. Pull the rinsing device out of the fastening clips and separating plate.
2. Undo and remove both Allen screws, pull the drum motor out of the hole in the separating plate and remove.
 - Do not allow the drum motor to hang from the connection cable.
3. Undo the hose clip fastening the dirt channel.
4. Pull the dirt channel from the socket of the dirty water outlet and place it in the filter drum.
5. Open the cotter pin and pull it out.
6. Pull out the drum shaft.
7. Pull the filter drum from the separating plate and lift it out of the container.
 - Proceed carefully: The fastening clips on the container wall could damage the screen elements.

Fitting

How to proceed:

R, S

Before fitting the filter drum check that the drum seal is undamaged and correctly positioned. Lubricate the seal with the supplied grease. Replace the drum seal if damaged.

1. Fitting a new drum seal: Ensure that the recess in the drum seal is at the top.
 2. Ensure that the separating plate is completely seated in the groove of the drum seal.
- ▶ Continue to assemble in the reverse order.

8.7 Cleaning the rinsing pump



TIP

It is often possible to remove soiling from the rinsing device and rinsing pump by cleaning the rinsing device without the nozzle/nozzles.

- ▶ Remove the nozzle/nozzles for cleaning so that the dirt particles are flushed out.

Remove the inner cover to allow work to be carried out on the rinsing pump.

How to proceed:

T

1. Undo the fastening device. To do this, unhook both rubber straps.
2. Lift the rinsing pump, remove the rubber ring and filter sock.
 - Clean all parts in clean water.

8.8 Replacing the rinsing pump

Remove the inner cover to allow work to be carried out on the rinsing pump.

How to proceed:

U

1. Undo the fastening device. To do this, unhook both rubber straps.
2. Loosen the hose clip and pull off the hose.
3. Take out the rinsing pump and replace.
 - Disconnect the connection cable from the cable harness.
4. Fit the rinsing pump in the reverse order.

8.9 Replace the aerator rod

How to proceed:

V

1. Remove approx. 2/3 of the Hel-X bio-elements and keep moist. After completing the maintenance measures, return the Hel-X bio-elements to the container.
2. Pull the aerator stone out of the clamping holder at the bottom of the container.
3. Disconnect the hose from the aerator stone and connect it to the new aerator stone.
 - Fasten the connecting hose with a cable tie.
4. Push the aerator stone back into the clamping holder.

9 Storage/overwintering

The unit is protected from frost (e.g. stored in a garage or other enclosure)

The unit can be operated as long as the water temperature does not drop below 39 °F (+4 °C).

- ▶ Set the interval for time-dependent cleaning to 20 minutes to avoid damage to the rinsing device in the event of frost.
- ▶ Install the control system in such a way that it is protected. The minimum operating temperature of the control system is 14 °F (-10 °C).

The deeper areas of the pond have a water temperature of approx. 39 °F (+4 °C) in winter and are vital for fish. Take the following measures to reduce the cooling effect on the water during circulation by the filter system:

- ▶ Position the pump closer to the surface of the water so that only colder water closer to the surface of the pond enters the pump.
- ▶ Insulate the return pipes from the filter system into the pond.
- ▶ Do not allow water to flow into the pond via a stream.

The unit is not protected from frost (e.g. outdoor installation)

Shut down the unit at water temperatures below 46 °F (+8 °C) or, at the latest, when freezing temperatures are expected.

- ▶ Drain the unit as far as possible, clean thoroughly and check for damage.
- ▶ Empty all hoses, pipes and connections as far as possible.
- ▶ Leave the slide valves open.
- ▶ Cover the container so that no rain water can enter.
- ▶ Protect pipes and slide valves that are in contact with water from frost.

10 Wear parts

- ▶ Capacitor of the rinsing pump
 - Do not open the rinsing pump. Send the rinsing pump to OASE. You will be sent an immediate replacement.
- ▶ Safety fuse
- ▶ Screen elements
- ▶ Drum seal
- ▶ Aeration stone and air hoses

11 Disposal



NOTE

Do not dispose of this unit with domestic waste.

- ▶ Render the unit unusable beforehand by cutting the cables and dispose of the unit via the return system provided for this purpose.

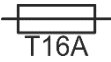





Questions, problems, missing parts?

Before returning to your retailer, call us at 1-866-627-3435, 8 a.m.-6 p.m., EST, Monday-Friday, or email us at customer@oase-livingwater.com. Or visit our website at www.oase-livingwater.com

12 Technical data

ProfiClear Premium Compact-L EGC USA			
Control system	Rated voltage	V AC	120
	Mains frequency	Hz	60
	Power consumption in idle state	W	5
	Power consumption during cleaning cycle	W	1150
	Rinsing pump output voltage	V AC	120
	Drum motor output voltage	V DC	12
	Signal box output voltage	V DC	12
	Ambient temperature	°F	14 ... 95
	Safety fuse		5 × 20 mm, T16 A, 250 V
	Length of power cable	ft	16.5
Permissible water temperature		°F	39 ... 95
Length of cable harness		ft	3.3
Airborne noise emitted		dB(A)	< 70
Dimensions	L × W × H	in	52.7 × 35.4 × 32.3
Weight	Without water	lbs	233
	With water	lbs	≈1012
Rinsing pump	Water pressure	psi	37
	Water consumption per rinsing cycle	gal	≈2.3
Drum	Diameter	in	19.7
	Width	in	6.3
Screen elements	Quantity	pcs.	8
Removal of coarse dirt particles	Mesh width	µm	60
Inlet	Quantity	pcs.	1 + 1 (optional)
	Connection		∅ 2 in (∅ 50 mm)
Outlet	Quantity	pcs.	2
	Connection	in	∅ 4 (DN 110)
Option UVC pre-clarifier			Bitron C 55 W ... 110 W
Dirt drain	Quantity	pcs.	1
	Connection	in	∅ 3 (DN 75)
Coarse dirt outlet	Quantity	pcs.	1
	Connection	in	∅ 4 (DN 110)
Circulation capacity	Max.	gph	5284
	minimum	gph	2632
Hel-X biomedica	Volume supplied	gal	15.9
	Refill volume	gal	5.3
Aeration	Aerator rods	pcs.	1
	Connection to		AquaOxy 450

13 Symbols on the unit

<p>IP44</p>	<p>Dust protected. Protected against water splashed from all directions.</p>
 <p>T16A</p>	<p>Safety fuse 16 A / 250 V, slow-blow fuse</p>
	<p>Possible danger for persons with pacemakers.</p>
	<p>Protect from direct sunlight</p>
	<p>Remove the unit at freezing temperatures!</p>
	<p>Do not reach into the inlet or outlet. Risk of injury due to shearing movement.</p>
	<p>Read the instructions for use.</p>

Questions, problems, missing parts?

Before returning to your retailer, call us at 1-866-627-3435, 8 a.m.-6 p.m., EST, Monday-Friday, or email us at customer care@oase-livingwater.com. Or visit our website at www.oase-livingwater.com

Traduction de la notice d'emploi originale



AVERTISSEMENT

- ▶ Dans le cas où cet appareil serait utilisé par des mineurs de moins de 8 ans ainsi que par des personnes souffrant d'un handicap mental ou plus généralement par des personnes manquant d'expérience, un adulte averti devra être présent, qui renseignera le mineur ou la personne fragilisée concernée sur le bon emploi de ce matériel.
- ▶ Les enfants ne doivent pas jouer avec cet appareil.
- ▶ Ne pas laisser un enfant sans surveillance pour le nettoyage ou l'entretien.
- ▶ Veiller à ce que l'appareil soit absolument protégé par fusible par le biais d'une protection différentielle avec un courant assigné de 30 mA maximum.
- ▶ Ne brancher l'appareil que lorsque les caractéristiques électriques de l'appareil et de l'alimentation électrique correspondent. Les caractéristiques de l'appareil sont indiquées sur la plaque signalétique de l'appareil, sur l'emballage ou dans cette notice d'emploi.
- ▶ Il existe un risque d'électrocution pouvant entraîner la mort ou des blessures graves ! Avant tout contact avec l'eau, couper l'alimentation de tous les appareils électriques se trouvant dans l'eau.
- ▶ Un câble de raccordement endommagé ne peut pas être remplacé. Mettre l'appareil au rebut.

Table des matières

1	En ce qui concerne cette notice d'emploi.....	47
1.1	Avertissements dans cette notice d'emploi.....	47
1.2	Références dans cette notice d'emploi.....	47
2	Consignes de sécurité.....	48
2.1	Raccordement électrique.....	48
2.2	Risques menaçant les personnes porteuses d'un stimulateur cardiaque.....	48
2.3	Exploitation sécurisée.....	48
3	Description du produit.....	49
3.1	Utilisation conforme à la finalité.....	49
3.2	Structure de l'appareil.....	50
3.3	Description des fonctions.....	51
3.4	Système Easy Garden Control (EGC).....	51
4	Mise en place et raccordement.....	52
4.1	Transporter le réservoir.....	52
4.2	Installer le récipient de filtre.....	53
4.3	Raccordement du filtre à tambour.....	54
4.3.1	Informations relatives aux conduites.....	54
4.3.2	Raccordement du conduit d'admission.....	54
4.3.3	Montage du clarificateur UVC.....	55
4.3.4	Branchement du conduit d'écoulement pour salissures grossières.....	55
4.3.5	Raccordement du conduit d'écoulement de particules.....	55
4.4	Raccorder la commande avec la boîte-EGC.....	56
4.4.1	Brancher la commande.....	56
4.4.2	Raccorder la boîte-EGC.....	56
4.4.3	Raccorder un autre appareil EGC.....	56
4.5	Installer la commande avec la boîte-EGC.....	57
4.6	Monter le boîtier du condensateur.....	57
4.7	Raccorder l'aérateur d'étang.....	57
5	Mise en service.....	58
5.1	Succession des étapes de la mise en service.....	59
5.1.1	Régler la détection de niveau.....	60
6	Utilisation.....	61
6.1	Vue d'ensemble commande.....	61
6.2	Mise en circuit / mise hors circuit.....	61
6.3	Modes de fonctionnement.....	62
6.4	Nettoyage manuel.....	62
6.5	Réglages dans les menus.....	62
6.5.1	\mathcal{L} : Temps de nettoyage « Cleaning ».....	62
6.5.2	\mathcal{E} : Temps de nettoyage prolongé "Extra Cleaning".....	63
6.5.3	\mathcal{I} : Nettoyage en fonction du temps « Intervalle ».....	63
6.5.4	$\mathcal{E}7$: Saisie de l'état de la pompe.....	64
6.6	Lecture du nombre de nettoyages.....	64
6.6.1	Nettoyages en 24 heures.....	64
6.6.2	Total des nettoyages.....	65
6.7	Chargement des réglages de base.....	65
6.8	Messages du système.....	66
7	Dépannage.....	68

Questions, problems, missing parts?

Before returning to your retailer, call us at 1-866-627-3435, 8 a.m.-6 p.m., EST, Monday-Friday, or email us at customer@oase-livingwater.com. Or visit our website at www.oase-livingwater.com

8	Nettoyage et entretien	70
8.1	Nettoyage de l'appareil	70
8.2	Travaux périodiques	70
8.3	Nettoyage du système de filtration complet.....	71
8.4	Nettoyage du dispositif de rinçage.....	71
8.5	Nettoyage de l'élément de tamisage	71
8.5.1	Démontage/Montage de l'élément de tamisage	71
8.5.2	Détartrage des éléments de tamisage.....	72
8.6	Démontage/montage du tambour filtrant	72
8.7	Nettoyage de la pompe de rinçage	73
8.8	Remplacement de la pompe	73
8.9	Remplacement de la barre d'oxygénateur	73
9	Stockage / entreposage pour l'hiver.....	74
10	Pièces d'usure	74
11	Recyclage.....	74
12	Caractéristiques techniques	75
13	Symboles sur l'appareil	76

RAPPEL
APPELEZ LE 1-866-627-3435
AVANT DE RETOURNER AU MAGASIN.

1 En ce qui concerne cette notice d'emploi

Avec l'acquisition du produit, **ProfiClear Premium Compact-L EGC USA** vous avez fait le bon choix.

Avant la première utilisation de l'appareil, lire attentivement cette notice d'emploi et se familiariser avec l'appareil. Tous les travaux effectués avec et sur cet appareil devront être exécutés conformément aux directives ci-jointes.

Respecter impérativement les consignes de sécurité relatives à une utilisation correcte et en toute sécurité.

Conserver soigneusement cette notice d'emploi. Lors d'un changement de propriétaire, prière de transmettre également cette notice d'emploi.

1.1 Avertissements dans cette notice d'emploi

Dans cette notice, les avertissements sont classés par mots de signalisation qui indiquent l'ampleur du risque.



AVERTISSEMENT

Désigne une situation dangereuse possible pouvant entraîner la mort ou des blessures graves si elle n'est pas évitée.



ATTENTION

Désigne une situation dangereuse possible pouvant entraîner des blessures légères ou modérées si elle n'est pas évitée.



REMARQUE

Désigne une situation dangereuse possible pouvant entraîner des dégâts matériels ou sur l'environnement si elle n'est pas évitée.



CONSEIL

Conseil utile.

1.2 Références dans cette notice d'emploi

- A Renvoi à l'illustration, p. ex. Figure A.
- Renvoi à un autre chapitre.

Questions, problèmes, pièces manquantes ?

Before returning to your retailer, call us at 1-866-627-3435, 8 a.m.-6 p.m., EST, Monday-Friday, or email

Avant de retourner chez votre détaillant, appelez au 1 866 627-3435, entre 8 h et 18 h, heure de l'Est, ou encore envoyez-nous un courriel à l'adresse customercare@oase-livingwater.com. Vous pouvez aussi consulter notre site web au www.oase-livingwater.co

2 Consignes de sécurité

2.1 Raccordement électrique

- ▶ Les installations électriques doivent répondre aux règlements d'installation nationaux et leur exécution est exclusivement réservée à un technicien électricien.
- ▶ Une personne est considérée comme technicien électricien lorsqu'elle est capable et habilitée à apprécier et réaliser les travaux qui lui sont confiés en raison de sa formation technique, de ses connaissances et de son expérience. Travailler en tant que technicien consiste également à identifier d'éventuels dangers et à respecter les normes régionales et nationales, les règlements et les dispositions en vigueur qui se rapportent aux tâches à exécuter.
- ▶ En cas de questions et de problèmes, prière de vous adresser à un technicien électricien.
- ▶ Ne brancher l'appareil que lorsque les caractéristiques électriques de l'appareil et de l'alimentation électrique correspondent. Les caractéristiques de l'appareil sont indiquées sur la plaque signalétique de l'appareil, sur l'emballage ou dans cette notice d'emploi.
- ▶ Raccorder l'appareil uniquement à une prise installée de manière réglementaire.
- ▶ Les câbles de rallonge et le distributeur de courant (p. ex. blocs multiprises) doivent être conçus pour une utilisation en extérieur (protégé contre les projections d'eau).
- ▶ Protéger les raccordements à fiche contre l'humidité.

2.2 Risques menaçant les personnes porteuses d'un stimulateur cardiaque

- ▶ L'unité de fonctionnement dans l'appareil contient un aimant à champ magnétique puissant qui risque d'avoir un impact sur les stimulateurs cardiaques ou les défibrillateurs implantés (ICD). Maintenir une distance d'au moins 8 pouces (0,20 m) entre l'implant et l'aimant.

2.3 Exploitation sécurisée

- ▶ Ne pas utiliser l'appareil avec un boîtier défectueux.
- ▶ Il est interdit d'utiliser l'appareil si le câble électrique est défectueux.
- ▶ Ne pas porter ou tirer l'appareil par les câbles électriques.
- ▶ Poser les câbles de manière à ce qu'ils soient protégés contre d'éventuels endommagements et veiller à ce que personne ne puisse trébucher.
- ▶ Ne jamais procéder à des modifications techniques sur l'appareil.
- ▶ Exécuter des travaux sur l'appareil uniquement si ces derniers sont décrits dans la notice d'emploi. S'il est impossible de remédier aux problèmes, contacter le SAV agréé ou en cas de doute le constructeur.
- ▶ N'utiliser que des pièces de rechange et des accessoires d'origine pour l'appareil.
- ▶ Débrancher l'appareil du secteur en cas d'intempéries.
- ▶ Une surtension dans le réseau peut causer des dérangements de l'appareil. Vous trouverez des informations à ce sujet dans le chapitre "Élimination des dérangements".

- ▶ Ne pas inhaler les embruns du dispositif de rinçage. Les embruns risquent de contenir des bactéries nocives à la santé. Le dispositif de rinçage continue de fonctionner lorsque le couvercle du conteneur est soulevé.

3 Description du produit

A

Le système de filtration doit se trouver au-dessus du niveau de l'eau de l'étang. L'eau polluée de l'étang est retirée de l'étang par pompage au moyen d'une pompe filtrante pour être ensuite dirigée vers le système de filtration. L'eau épurée est refoulée vers l'étang en passant par une conduite en chute libre.

Avantages du système avec pompe :

- ▶ Travaux d'installation réduits
- ▶ Facilité d'extension du système
- ▶ Montage en amont simple des appareils de clarification à UVC
- ▶ Adaptation optimale aux pompes filtrantes OASE AquaMax Eco Premium

3.1 Utilisation conforme à la finalité

N'utilisez le produit décrit dans ce manuel que de la manière suivante :

- ▶ Pour le nettoyage de bassins de jardin.
- ▶ Exploitation dans le respect des données techniques. (→ Caractéristiques techniques)
- ▶ Utilisation à des fins privées uniquement.

Les restrictions suivantes sont valables pour l'appareil :

- ▶ A utiliser uniquement avec de l'eau à une température entre 39 °F et 95 °F (+4 °C et +35 °C).
- ▶ Ne jamais utiliser dans d'autres liquides que de l'eau.
- ▶ Non compatible à l'eau salée.
- ▶ Ne jamais utiliser sans débit d'eau.
- ▶ Ne pas utiliser en relation avec des produits chimiques, des produits alimentaires, des matériaux facilement inflammables ou explosifs.

Questions, problèmes, pièces manquantes ?

Before returning to your retailer, call us at 1-866-627-3435, 8 a.m.-6 p.m., EST, Monday-Friday, or email

Avant de retourner chez votre détaillant, appelez au 1 866 627-3435, entre 8 h et 18 h, heure de l'Est, ou encore envoyez-nous un courriel à l'adresse customercare@oase-livingwater.com. Vous pouvez aussi consulter notre site web au www.oase-livingwater.co

3.2 Structure de l'appareil

□ C	Descriptif
1	Couvercle du réservoir
2	Boîte de signalisation avec sonde de niveau (3) et sonde de température (7) • La boîte de signalisation se raccorde à la commande (30, 32)
3	Sonde de niveau • Signale le niveau de l'eau dans le système de filtration
4	Galets pour le guidage du tambour filtrant
6	Tambour filtrant avec 8 éléments de tamisage • Éléments de tamisage pour particules grossières de 60 µm maxi. (disponible aussi en option : 30 + 150 µm)
7	Sonde de température • Surveille la température de l'eau
8	Flexible à air Ø 3/8 in (Ø 9 mm)
9	Bioélément Hel-X 13 dans la cuve de filtration Moving Bed
10	2 sorties Ø 4 in (DN 110)
11	Barre d'oxygénateur
12	Tuyau treillis métallique • Empêche les bioéléments-Hel-X- de s'échapper
13	Pompe de rinçage pour l'alimentation du dispositif de rinçage (24)
14	1 conduit d'écoulement des impuretés avec robinet d'arrêt Ø 3 in (DN 75)
15	2 adaptateurs, 2 coudes d'entrée 30° avec écrou-raccord Pour le raccordement du clarificateur UVC Bitron sur les traversées Ø 1 1/2 in (Ø 38 mm) (18)
16	Kit de raccordement pour pompes filtrantes • 1 raccord d'extrémité Ø 2 in (Ø 50 mm), 1 écrou-raccord pour raccord d'extrémité, 1 collier de serrage Ø 1.6 ... 2.3 in (Ø 40 ... 60 mm), 1 joint d'étanchéité plat 2.2 × 1.7 × 0.1 in (56 × 43 × 3 mm)
17	1 conduit d'admission Ø 2 in (Ø 50 mm) • Pour le raccordement de la pompe filtrante
18	2 conduits d'admission Ø 1 1/2 in (Ø 38 mm), obturés par bouchon d'étanchéité • Pour le raccordement d'un clarificateur UVC Bitron optionnel
20	1 conduit d'admission Ø 2 in (Ø 50 mm) optionnel • Doit être découpé en cas de besoin (raccordement ne fait pas partie des fournitures)
21	1 écoulement pour particules grossières Ø 4 in (DN 110)
22	Moteur de tambour pour tambour filtrant • Le moteur se raccorde à la commande (30, 31)
23	Goulotte à déchets • Récupère les particules grossières et l'eau de rinçage des éléments de tamisage (6)
24	Dispositif de rinçage • Élimine les particules grossières des éléments de tamisage (6) par l'application d'une forte pression d'eau
25	Graisse pour joint de moteur
27	Raccord de transition Ø 3/8 in à Ø 1/8 in (Ø 9 mm à Ø 4 mm)
28	Pièce en Y
29	2 serre-câble pour fixer les tuyaux air sur pièce en Y
30	Commande avec boîte-EGC • Permet l'intégration par câble dans un réseau-EGC
31	Fiche d'alimentation pour le raccordement du moteur du tambour
32	Douille pour le raccordement du boîtier de signalisation
33	Câble de raccordement au réseau
34	Fiche de connexion pour pompe de rinçage
35	Porte-fusible • Protection par fusible de la commande avec fusible 5 × 20 mm, T16 A, 250 V
36	2 caches d'écrou borgne servant à fixer le boîtier EGC • Nécessaire pour suspendre un boîtier EGC à la paroi du réservoir
37	Boîtier du condensateur de la pompe de rinçage
38	Fiche d'alimentation pour le raccordement à la commande (34)
39	Fiche d'alimentation pour le raccordement de la pompe de rinçage

3.3 Description des fonctions

ProfiClear Premium Compact unit le décanteur pour salissures grossières et la filtration biologique dans un appareil. Des tamis séparent les particules d'impuretés de tout genre avant que l'eau n'atteigne la biologie filtrante. La séparation des substances solides permet l'élimination d'une grande partie des substances nutritives contenues dans l'eau. Après cette filtration mécanique, les bioéléments Hel-X se trouvant dans le système Moving Bed se chargent de la filtration biologique de l'eau de l'étang.

La commande équipée du système microcontrôleur intégré pilote et surveille automatiquement le processus de filtration. L'autonettoyage automatique s'adapte individuellement aux besoins.

Les bioéléments Hel-X se chargent d'une dégradation effective des substances nutritives et toxiques dans l'eau. Des bactéries, responsables de la nitrification et de la dénitrification, se fixent à la longue à leur surface. Elles purifient l'eau avant que celle-ci ne quitte à nouveau le réservoir. Le procédé de lit fluidisé (interaction de courant d'eau et de l'apport d'oxygène) et la technique by-pass assurent un mouvement optimal des bioéléments Hel-X également lors de débit élevés. Le système biologique est, de plus, autonettoyant et ne nécessite aucun entretien.

Dans des conditions optimales, 15.85 gal (60 l) de bioéléments Hel-X sont en mesure de dégrader les substances nutritives d'environ 14.4 oz (408 g) d'aliments pour poissons par jour. En cas de besoin, l'efficacité peut être augmentée à 21.0 gal (80 l) 22.5 gal (85 l), donc à 19.2 oz/jour (544 g/jour) voire 20.4 oz/jour (578 g/jour).

L'évolution du milieu biologique dans le filtre nécessite quelques jours. Elle est accélérée par l'apport des bactéries d'activation biologiques.

BioKick contient des millions de microorganismes actifs. Ils commencent aussitôt par la purification de l'eau. Quelques jours seulement suffisent pour le développement complet de la biologie dans le filtre.

La nitrification est la décontamination de l'eau (élimination de nitrates d'ammonium et de nitrites) laquelle est produite par le biais de bactéries spéciales. La hausse de ces substances dans l'eau est causée p. exemple par les aliments pour poissons et par les excréments de poissons. L'ammoniaque est particulièrement toxique pour les poissons.

La nitrification se déroule en deux étapes. A la première étape, les bactéries transforment l'ammoniaque/ammonium en nitrite. A la seconde étape, d'autres bactéries transforment ce nitrite en nitrate non toxique mais toutefois propice à la prolifération des algues. De l'oxygène est utilisée pour ces deux étapes. L'oxygène est retirée de l'eau.

La dénitrification est la dégradation de nitrate en azote sous forme de gaz. En cas de teneur minime en oxygène, les bactéries absorbent l'azote de nitrate comme source d'oxygène et le transforme en azote atmosphérique. L'azote atmosphérique n'est disponible ni pour les algues, ni pour les plantes aquatiques.

3.4 Système Easy Garden Control (EGC)

Ce produit peut communiquer avec Easy Garden Control-System (EGC). EGC offre permet de garder confortablement le contrôle dans le jardin et près de l'étang grâce à un smartphone ou une tablette et garantit confort et sécurité. Retrouvez plus d'informations sur EGC et ses avantages sur www.oase-livingwater.com/na/egc.

Questions, problèmes, pièces manquantes ?

Before returning to your retailer, call us at 1-866-627-3435, 8 a.m.-6 p.m., EST, Monday-Friday, or email

Avant de retourner chez votre détaillant, appelez au 1 866 627-3435, entre 8 h et 18 h, heure de l'Est, ou encore envoyez-nous un courriel à l'adresse customercare@oase-livingwater.com. Vous pouvez aussi consulter notre site web au www.oase-livingwater.com

4 Mise en place et raccordement



AVERTISSEMENT

La tension électrique peut entraîner des blessures graves ou la mort.

- ▶ Placer l'appareil à une distance d'au moins 6,6 ft (2 m) de l'eau, à l'abri de toute inondation.
-



ATTENTION

Risque de blessure en raison de pièces à arêtes vives.

- ▶ Agir avec précaution lors des travaux sur le récipient de filtre afin d'éviter toutes blessures en raison des pièces à arêtes vives.
-



REMARQUE

En cas de différence notable de l'installation envisagée avec les recommandations données dans ce document :

- ▶ Faites vérifier par votre distributeur spécialisé si toutes les spécifications techniques ont bien été respectées. Démarche indispensable pour un fonctionnement sans incident.
-

4.1 Transporter le réservoir



AVERTISSEMENT

Le poids important de l'appareil peut occasionner des lésions de la colonne vertébrale lors du portage ou écraser des membres du corps. Le poids de l'appareil dépasse 55 lb (25 kg). (→ Caractéristiques techniques)

- ▶ Porter avec au moins 4 personnes en utilisant les poignées afin de soulager votre colonne vertébrale.
 - ▶ Protéger les membres du corps afin d'éviter tout écrasement.
 - ▶ Ne pas transporter l'appareil lorsqu'il est rempli.
-

D

Le récipient de filtre dispose de quatre poignées pour le portage. D'autres aides de portage ou de transport ne sont pas autorisées (par ex. transport avec une grue).

4.2 Installer le récipient de filtre



CONSEIL

Le système de filtration fonctionne jour et nuit et produit des bruits de rinçage pendant les cycles de nettoyage automatiques.

- ▶ Protéger l'intérêt public et le voisinage contre la pollution sonore et respecter les règlements légaux relatifs à la protection contre le bruit.
- ▶ Convertir le système de filtration de sorte à ce que le coffret absorbe efficacement les bruits.
- ▶ Sélectionner l'emplacement du système de filtration de sorte à éviter toute pollution sonore.

Projeter la mise en place du système de filtration. Une planification minutieuse et une prise en considération des conditions ambiantes permettront d'obtenir des conditions de fonctionnement optimales.

Ci-après, les conditions fondamentales à respecter :

- ▶ Rempli, le module de filtration est très lourd. Choisir un fond approprié (au moins un dallage, ou mieux encore une surface bétonnée) pour éviter tout effondrement.
- ▶ Aligner la plaque de fond à l'horizontale.
 - Le système de filtration doit être à l'horizontale (tolérance maximale ± 0.2 in (± 5 mm)).
 - Conseil : Utiliser des plaques de béton vendues couramment dans le commerce, chacune d'environ 19.7×19.7 in (500×500 mm). Vous avez besoin de cinq plaques (une pour chaque coin plus 1 plaque au centre).
- ▶ Prévoir suffisamment d'espace autour des appareils, pour pouvoir exécuter les travaux de nettoyage et d'entretien.
- ▶ Faire s'écouler l'eau polluée dans les canalisations ou le plus loin possible du bassin pour absolument éviter tout retour dans le bassin.
 - Pour acheminer les salissures grossières et l'eau usée dans une conduite commune, utiliser pour cela au moins des conduites $\varnothing 4$ in (DN 110).
- ▶ Dans l'étang (p. ex. au dessus du cours du ruisseau ou de la cascade), ne pas positionner le conduit d'admission plus haut que le conduit d'écoulement du système de filtration.



CONSEIL

Un cours de ruisseau ou une cascade sont appropriés de manière optimale à la reconduite de l'eau vers l'étang. Ceci permet d'oxygéner l'eau filtrée de l'étang avant qu'elle ne retourne dans l'étang.

Questions, problèmes, pièces manquantes ?

Before returning to your retailer, call us at 1-866-627-3435, 8 a.m.-6 p.m., EST, Monday-Friday, or email

Avant de retourner chez votre détaillant, appelez au 1 866 627-3435, entre 8 h et 18 h, heure de l'Est, ou encore envoyez-nous un courriel à l'adresse customercare@oase-livingwater.com. Vous pouvez aussi consulter notre site web au www.oase-livingwater.co

4.3 Raccordement du filtre à tambour

4.3.1 Informations relatives aux conduites

- ▶ Utiliser des conduites appropriées. Les accouplements flexibles sont mieux adaptés que les éléments de raccordement en PVC pour raccorder les entrées et les sorties.
- ▶ Ne pas utiliser des sections de conduites perpendiculaires. Des coudes d'un angle maximal de 45° sont fortement efficaces.
- ▶ Pour une connexion durable et fiable, assembler les tuyaux en plastique par collage ou utiliser des raccords à manchon dotés de cran d'arrêt.
- ▶ En cas de fort gel, l'eau stagnante ne pouvant s'écouler risque de faire éclater les conduites. De ce fait, poser les conduites et les tuyaux avec une pente de 6 in/10 ft (50 mm/m) de sorte qu'ils puissent se vider.

4.3.2 Raccordement du conduit d'admission



AVERTISSEMENT

Le récipient est en PRV (plastique renforcé de fibre de verre). Des particules de fibres de verre nocives pour la santé sont libérées en cas de perçage ou de ponçage.

- ▶ Toujours porter un masque protégeant les voies respiratoires pour les travaux de perçage ou de ponçage.

Le système de filtration est doté d'un conduit d'admission Ø 2 in (Ø 50 mm) pour la pompe filtrante. En cas de besoin, il est possible de monter un deuxième conduit d'admission pour une autre pompe filtrante au moyen du set de raccordement (18798). Le débit maximal du système de filtration reste inchangé.

- ▶ Des repères ont été tracés sur la paroi du récipient pour le passage du deuxième conduit d'admission. Le passage doit être découpé.
- ▶ Laisser un des conduit d'admission non utilisé fermé.
- ▶ Vous pouvez raccorder en plus un appareil de clarification à UVC. (→ Montage du clarificateur UVC)

Voici comment procéder :

E

1. Dévisser le bouchon vissable à joint plat de la pièce de traversée.
2. Visser l'écrou-raccord, embout de tuyau Ø 2 in (Ø 50 mm) et joint plat compris, sur la pièce de traversée. Serrer l'écrou-raccord à la main.
3. Faire glisser le tuyau Ø 2 in (Ø 50 mm) de la pompe filtrante sur l'embout de tuyau et le fixer avec le collier de serrage.

4.3.3 Montage du clarificateur UVC

Le clarificateur UVC Bitron se monte sur le récipient de filtre. Le débit maximal du système de filtration reste inchangé.

- ▶ Pour avoir accès aux bouchons d'étanchéité, absolument démonter un élément de tamisage. (→ Démontage/Montage de l'élément de tamisage)
- ▶ Pour le fonctionnement avec deux pompes filtrantes, raccorder une pompe filtrante au clarificateur UVC et l'autre pompe au conduit d'admission. (→ Raccordement du conduit d'admission)



CONSEIL

Un clapet anti-retour est installé dans le raccordement pour pompe filtrante afin d'empêcher un refoulement d'eau. Si une pompe doit être raccordée sur le Bitron et sur le raccordement de pompe filtrante, il est alors possible de mettre la pompe sur le raccordement de pompe filtrante en/hors circuit sans problème.

Voici comment procéder :

F

1. Desserrer les vis au moyen d'un tournevis et enlever les bouchons d'étanchéité.
2. Faire passer l'embout du conduit d'écoulement du Bitron avec les joints plats par les perçages de la paroi du réservoir.
3. Visser l'adaptateur sur les embouts du conduit d'écoulement et les serrer à la main.
4. Visser les coudes d'entrée 30° avec les écrous borgnes sur l'adaptateur, les serrer à la main.
 - Tourner les coudes d'entrée vers le bas.
 - Des coudes d'entrée correctement orientés empêchent tout débordement incontrôlé (vidage de l'étang) et permettent de réduire le bruit.
5. Raccorder Bitron à la pompe filtrante en suivant la notice d'utilisation.

4.3.4 Branchement du conduit d'écoulement pour salissures grossières

G

Les salissures grossières accumulées dans la goulotte à déchets s'écoulent par le biais du conduit d'écoulement des salissures grossières Ø 4 in (DN 110) (le plus en haut sur le conteneur) installé du côté admission.

- ▶ Un accouplement flexible est mieux adapté qu'un élément de raccordement en PVC pour raccorder facilement la sortie.
- ▶ Raccorder une conduite appropriée Ø 4 in (DN 110) et acheminer l'eau polluée vers les canalisations d'eaux usées.

4.3.5 Raccordement du conduit d'écoulement de particules

En cas de besoin (nettoyage, réparations, entreposage pour l'hiver), il est possible de laisser l'eau s'écouler dans le conteneur par le biais du conduit d'écoulement de salissures avec robinet d'arrêt Ø 3 in (DN 75) en bas sur le conteneur.

- ▶ Raccorder une conduite appropriée Ø 3 in (DN 75) et acheminer l'eau polluée vers les canalisations d'eaux usées.

Voici comment procéder :

H

1. Enlever les écrous borgnes et pousser le conduit d'écoulement des salissures sur le raccord.
2. Mettre les écrous borgnes en place et serrer à fond, serrer le collier de serrage.
3. Raccorder la conduite.



CONSEIL

Assembler la conduite pour les salissures Ø 3 in (DN 75) et la conduite pour les salissures grossières Ø 4 in (DN 110) et acheminer l'eau polluée commune vers les canalisations d'eaux usées par le biais d'un tuyau Ø 4 in (DN 110). Cette méthode permet de bien rincer sous pression la conduite acheminant l'eau polluée.

Questions, problèmes, pièces manquantes ?

Before returning to your retailer, call us at 1-866-627-3435, 8 a.m.-6 p.m., EST, Monday-Friday, or email

Avant de retourner chez votre détaillant, appelez au 1 866 627-3435, entre 8 h et 18 h, heure de l'Est, ou encore envoyez-nous un courriel à l'adresse customercare@oase-livingwater.com. Vous pouvez aussi consulter notre site web au www.oase-livingwater.co

4.4 Raccorder la commande avec la boîte-EGC

4.4.1 Brancher la commande

Le faisceau de câbles comprend les lignes de raccordement de la boîte de signalisation, du moteur du tambour et de la pompe de rinçage. Les lignes de raccordements doivent être raccordées, la boîte EGC est déjà raccordée.

I

Voici comment procéder :

- ▶ Brancher les trois fiches du faisceau de câbles avec les douilles sur la commande et le boîtier du condensateur. Serrer les écrous-raccord à la main.
 - Les raccords sont protégés contre l'inversion des polarités et ne se laissent pas permuter.
 - Remplir d'abord le conteneur, puis brancher la commande sur la tension d'alimentation.

4.4.2 Raccorder la boîte-EGC

L'intégration du système de filtration dans le réseau-EGC est optionnel et n'est pas forcément requis pour le fonctionnement. (→ Système Easy Garden Control (EGC))

Le Connection Cable EGC est indispensable pour réaliser le raccordement de la boîte-EGC.

Fixer correctement le connecteur est primordial pour assurer une connexion sécurisée et le bon fonctionnement du réseau EGC.

Voici comment procéder :

I, L, M

1. Enlever le capuchon sur l'appareil.
2. Brancher le connecteur et le sécuriser à l'aide des deux vis (max. 18 lb-in (2.0 Nm)).
 - Le joint en caoutchouc doit être propre et parfaitement logé.
 - Remplacer tout joint en caoutchouc endommagé.
3. Sur le dernier appareil du réseau EGC, retirer le capuchon de protection situé sur EGC-OUT, brancher la fiche du câble de raccordement EGC et la sécuriser à l'aide des deux vis (max. 18 lb-in (2.0 Nm)).
 - Sur le dernier appareil du réseau EGC, ne brancher aucun câble de raccordement EGC sur EGC-OUT mais brancher la résistance finale EGC afin que le réseau EGC soit raccordé correctement.
 - Une résistance finale EGC fait partie des fournitures de InScenio EGC Controller.

4.4.3 Raccorder un autre appareil EGC

Il est possible de raccorder un autre appareil EGC sur la boîte-EGC.

- ▶ Veiller à ce que le branchement soit correctement effectué.. (→ Raccorder la boîte-EGC)

Voici comment procéder :

L, M

1. Sur la boîte-EGC, retirer le capuchon de protection situé sur EGC-OUT et brancher un connecteur du Connection CableEGC.
2. Sur un autre appareil, retirer le capuchon de protection situé sur EGC-IN et brancher l'autre connecteur du Connection Cable EGC.
3. Sur l'autre appareil, retirer le capuchon de protection sur EGC-OUT, insérer la résistance finale et la sécuriser à l'aide des deux vis (max. 18 lb-in (2.0 Nm)) ou raccorder encore un appareil EGC.

4.5 Installer la commande avec la boîte-EGC

- ▶ Placer la commande à une distance de sécurité d'au moins 6,6 ft (2 m) du bassin/de l'étang.
- ▶ Protéger la commande contre les rayons directs du soleil.
- ▶ La commande est équipée d'une protection contre les projections et les éclaboussures d'eau et peut rester sous la pluie.

Voici comment procéder :

J

1. Commande et boîtier EGC fixés soit sur la paroi du conteneur, soit à un autre endroit au moyen de crochets à visser.
2. Si le boîtier EGC est suspendu à la paroi du conteneur, positionner les deux caches sur les écrous borgnes.
 - Ces caches fixent le boîtier EGC.

4.6 Monter le boîtier du condensateur

K

Le boîtier du condensateur est fixé à la paroi du conteneur. Si la commande est accrochée à la paroi opposée du conteneur, le boîtier du condensateur doit être monté sur la même paroi.

4.7 Raccorder l'aérateur d'étang

- ▶ Raccorder la barre d'oxygénateur dans le récipient à une pompe d'oxygénation externe. OASE préconise :

Quantité bioéléments Hel-X	Volume d'air minimal	Recommandation OASE
>15,9 gal (>60 l)	317 gph (1200 l/h) à 1,0 mWS	AquaOxy 450
21/22,5 gal (80/85 l)	528 gph (2000 l/h) à 1,2 mWS	-

Voici comment procéder :

N

1. Brancher la pompe d'oxygénation externe avec le raccord d'air et accrocher le raccord d'air dans le conteneur.
 - Pour les tuyaux d'air plus fins $\varnothing \frac{1}{8}$ in (\varnothing 4 mm), utiliser l'adaptateur $\varnothing \frac{1}{8}/\frac{3}{8}$ in (\varnothing 4/9 mm) et bloquer les raccordements éventuellement à l'aide de serre-câbles.



CONSEIL

Mélanger les bioéléments Hel-X avec volume d'air d'env. 264 gph (1000 l/h) pendant la phase de mise en route. De fortes turbulences retardent la première colonisation des micro-organismes.



CONSEIL

Lors le mouvement des bioéléments Hel-X dans la chambre biologique s'amenuise, déplacer légèrement le diffuseur pour optimiser le brassage.

Questions, problèmes, pièces manquantes ?

Before returning to your retailer, call us at 1-866-627-3435, 8 a.m.-6 p.m., EST, Monday-Friday, or email

Avant de retourner chez votre détaillant, appelez au 1 866 627-3435, entre 8 h et 18 h, heure de l'Est, ou encore envoyez-nous un courriel à l'adresse customercare@oase-livingwater.com. Vous pouvez aussi consulter notre site web au www.oase-livingwater.co

5 Mise en service

- ▶ Lors de la première mise en service, méticuleusement nettoyer l'étang pour que le système de filtration ne soit pas soumis à une contrainte extrême en raison d'une eau excessivement polluée. Pour ce nettoyage, OASE préconise l'usage de l'aspirateur de boue d'étang PondoVac.
 - Lorsque l'étang vient juste d'être construit, ce nettoyage est en principe superflu.
 - ▶ Le système de filtration est à utiliser toute la journée pendant la saison de l'étang.
-



AVERTISSEMENT

La mort ou des blessures graves dues à une tension électrique dangereuse !

- ▶ Toujours couper l'alimentation électrique de tous les appareils se trouvant dans l'eau avant tout contact avec l'eau.
 - ▶ Couper la tension secteur avant toute exécution de travaux sur l'appareil.
-



REMARQUE

Un variateur ou une minuterie peuvent endommager l'appareil.

- ▶ Utiliser l'appareil uniquement avec une alimentation électrique sans variateur.
 - ▶ Ne pas utiliser de minuterie.
-



REMARQUE

La pompe de rinçage ne doit jamais fonctionner à sec. Conséquences éventuelles : détérioration de la pompe de rinçage.

- ▶ Contrôler régulièrement le niveau de l'eau. La pompe de rinçage doit se trouver sous l'eau pendant le fonctionnement.
 - ▶ Mettre la commande en circuit uniquement lorsque le conteneur est rempli.
-



CONSEIL

Pendant la mise en service l'afficheur de la commande indique *E-88*,

- ▶ tant que le niveau d'eau final dans le récipient de filtre n'est pas atteint,
- ▶ lorsque la saisie de l'état de la pompe n'est pas correctement réglée.

Le message du système est réinitialisé automatiquement lorsque le système de filtration fonctionne correctement.

5.1 Succession des étapes de la mise en service

Voici comment procéder :

C

1. Sur le conteneur, en bas, fermer le robinet d'arrêt du conduit d'écoulement des salissures.
2. Contrôler l'ensemble du système de filtration (conduites et tuyaux) pour s'assurer que rien ne manque.
3. Ôter le couvercle du conteneur.
 - Lorsque le couvercle du conteneur est soulevé, le tambour filtrant est immobilisé pour des raisons de sécurité et *Err* s'affiche sur l'écran de la commande.

Chambre de filtration Moving Bed

Trois sacs de 5,3 gal (20 l) de bioéléments Hel-X 13 (15,9 gal (60 l)) se trouvent dans la chambre de filtration Moving Bed. En option, il est possible d'utiliser aussi 21.1 gal (80 l) (kit complémentaire, réf. : 43383).

4. Remplir la chambre de filtration Moving Bed de bioéléments Hel-X contenus dans les sacs.
 - Les bioéléments Hel-X doivent pouvoir se déplacer dans le conteneur.
 - La colonisation complète des bioéléments Hel-X peut demander plusieurs semaines. Les bioéléments Hel-X non colonisés ont tendance à flotter.



CONSEIL

Lors de l'utilisation du kit complémentaire, augmenter la quantité par ajout progressif.

Recommandation : 1.3 gal (5 l) max. par semaine

Filtre à tambour

5. A la main, faire effectuer une rotation complète au tambour filtrant pour s'assurer de la liberté du mouvement.
6. Remplir le filtre d'eau à moitié, jusqu'à ce que la pompe de rinçage soit sous l'eau (dispositif de protection contre la marche à sec de la pompe de rinçage).
7. Remettre le couvercle du conteneur en place.

Mettre la commande et les autres appareils en circuit, vérifier les conduites

8. Mettre la commande en circuit et éventuellement entreprendre des réglages. (→ Utilisation)
9. Connecter la pompe de filtration et évent. le clarificateur à UVC.
 - L'eau doit être refoulée dans l'étang par le biais de la conduite de retour.
10. Vérifier l'étanchéité de toutes les conduites, tuyaux et raccords.
 - Au début, les joints gonflants risquent de ne pas être étanches, car ils ne sont complètement étanches qu'après le contact avec l'eau.
11. Le cas échéant régler la sonde de niveau. (→ Régler la détection de niveau)



CONSEIL

Le nouveau filtre a besoin d'env. 3 à 4 semaines jusqu'à ce que le milieu biologique dans l'appareil soit entièrement constitué. Pendant cette période – ou lorsque la température de l'eau est <50 °F (<10 °C) – le filtre peut déborder. Un nettoyage du filtre n'est pas nécessaire dans ce cas.

- ▶ En cas d'utilisation d'activateurs de filtre, de médicaments ou de produits d'entretien du bassin, laisser l'appareil de pré-clarification à UVC hors circuit pendant au moins 36 heures, pour ne pas entraver l'effet du produit.

Questions, problèmes, pièces manquantes ?

Before returning to your retailer, call us at 1-866-627-3435, 8 a.m.-6 p.m., EST, Monday-Friday, or email

Avant de retourner chez votre détaillant, appelez au 1 866 627-3435, entre 8 h et 18 h, heure de l'Est, ou encore envoyez-nous un courriel à l'adresse customercare@oase-livingwater.com. Vous pouvez aussi consulter notre site web au www.oase-livingwater.co

5.1.1 Régler la détection de niveau

Si le niveau d'eau monte pendant l'utilisation, ceci signifie que le système est encrassé. La sonde de niveau signale un encrassement éventuel à la commande et entame le processus de nettoyage.

Le niveau de l'eau dans le système de filtration est fonction du niveau d'eau de l'étang. Le niveau d'eau du système de filtration est fonction du débit de recirculation. Ceci explique la nécessité éventuelle d'un réglage de la sonde de niveau.

Il est possible de monter la sonde de niveau à deux positions.

- ▶ Position 1 : Appropriée à des débits de recirculation supérieurs à 3963 gph (15000 l/h) (état à la livraison).
- ▶ Position 2 : Appropriée à des débits de recirculation inférieurs à 3963 gph (15000 l/h) et moins d'intervalles de nettoyage automatiques.

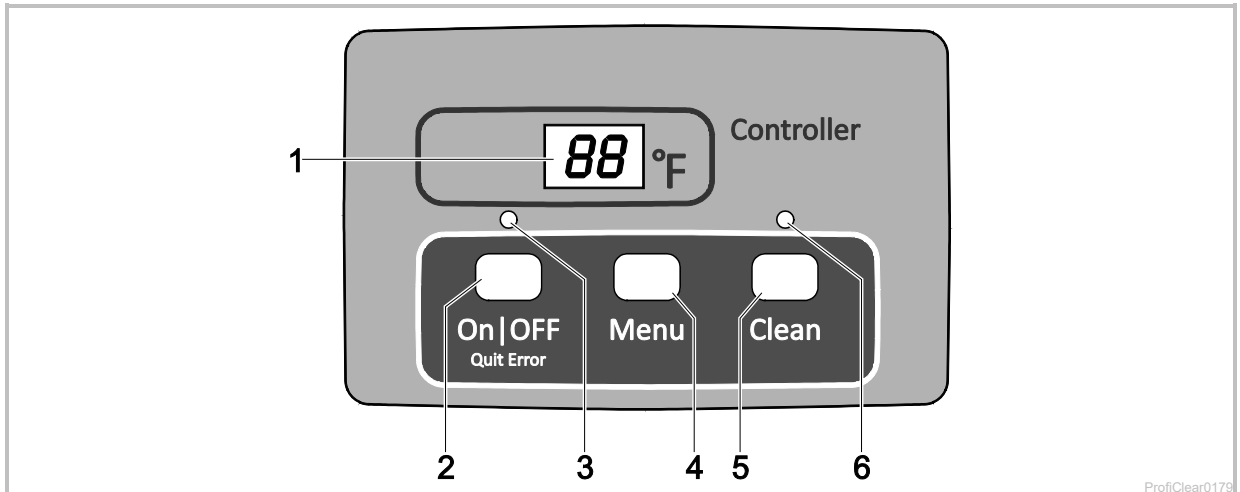
Voici comment procéder :

O

1. Desserrer les deux contre-écrous. Enlever les écrous et les vis à six pans creux.
2. Décaler la sonde de niveau jusqu'à la position voulue conformément à la grille et la fixer au moyen des vis à six pans creux et des contre-écrous. Resserrer les deux écrous.

6 Utilisation

6.1 Vue d'ensemble commande





- 1 Afficheur
 - Affichage de l'état de service
 - Affichage des menus et des valeurs pour le réglage du filtre à tambour
 - Affichage de l'état de la pompe
 - La température actuelle de l'eau [°F] est affichée par défaut
- 2 Touche On|Off, Quit Error
 - Connecter ou déconnecter le filtre à tambour
 - Réinitialiser les messages d'erreur
- 3 LED, bicolore
 - La LED est allumée en rouge : La commande est déconnectée (*OFF*)
 - La LED est allumée en vert : La commande est en circuit (*ON*)
- 4 Touche Menu

Choix des menus suivants et modification des valeurs :

 - Temps de nettoyage « Cleaning » (*CL*)
 - Temps nettoyage prolongé « Extra Cleaning » (*EC*)
 - Nettoyage en fonction du temps « Intervalle » (*In*)
 - Saisie de l'état de la pompe (*ET*)
- 5 Touche Clean
 - Lancer manuellement le nettoyage, interrompre le nettoyage actif
 - La LED (6) s'allume lorsque le nettoyage est actif
- 6 LED bleue
 - La LED est allumée : Nettoyage actif

6.2 Mise en circuit / mise hors circuit

La manière de procéder	Info
Mettre en circuit :  maintenir cette touche enfoncée pendant 3 s. • La LED (3) est allumée en vert. • L'afficheur indique env. 5 s <i>ON</i> .	<ul style="list-style-type: none"> • L'afficheur indique la température de l'eau de manière standard. • Après une coupure de tension, la commande reste en circuit.
Mettre hors circuit :  maintenir cette touche enfoncée pendant 3 s. • La LED (3) est allumée en rouge. • L'afficheur indique <i>OFF</i>	<ul style="list-style-type: none"> • La commande désactive toutes les fonctions. • Après une coupure de tension, la commande reste hors circuit.

Questions, problèmes, pièces manquantes ?


Before returning to your retailer, call us at 1-866-627-3435, 8 a.m.-6 p.m., EST, Monday-Friday, or email

Avant de retourner chez votre détaillant, appelez au 1 866 627-3435, entre 8 h et 18 h, heure de l'Est, ou encore envoyez-nous un courriel à l'adresse customercare@oase-livingwater.com. Vous pouvez aussi consulter notre site web au www.oase-livingwater.co

6.3 Modes de fonctionnement

Descriptif	Info
Mode automatique : <ul style="list-style-type: none"> • Mode pour le fonctionnement normal. 	<ul style="list-style-type: none"> • L'afficheur indique la température de l'eau de manière standard. • Un nettoyage est lancé automatiquement lorsque la sonde de niveau signale un niveau d'eau extrêmement divergent. • Le niveau d'eau dépasse un niveau d'eau déterminé. • 20 nettoyages automatiques sont suivis d'un nettoyage exécuté avec temps de nettoyage prolongé.
Mode en fonction du temps	<ul style="list-style-type: none"> • Un nettoyage en fonction du temps peut être exécuté en plus du nettoyage automatique (en fonction du niveau d'eau dans le filtre à tambour). (→ <i>ln</i>: Nettoyage en fonction du temps « Intervalle ») • La durée du nettoyage correspond au temps de nettoyage réglé dans le menu de nettoyage « Cleaning ».(→ <i>ℓL</i> : Temps de nettoyage « Cleaning »)

6.4 Nettoyage manuel

La manière de procéder	Info
 l'actionner pendant 3 s. <ul style="list-style-type: none"> • La LED (6) est allumée • L'afficheur indique <i>ℓL</i> • Interrompre l'opération : réactionner la touche 	<ul style="list-style-type: none"> • Pour des raisons de sécurité, le moteur du tambour est verrouillé lorsque le couvercle du filtre est soulevé. Pour contrôler le fonctionnement des buses, vous pouvez continuer à pratiquer le démarrage automatique de la pompe de rinçage. • Chaque nettoyage activé (automatiquement, en fonction du temps ou manuellement) peut être interrompu en actionnant la touche.

6.5 Réglages dans les menus












CONSEIL

Les réglages dans les menus sont possibles uniquement lorsque la commande est enclenchée.

6.5.1 *ℓL* : Temps de nettoyage « Cleaning »

Le réglage du temps de nettoyage entraîne la modification de la durée du nettoyage. Prolonger le temps de nettoyage lorsque l'écoulement de la charge polluante n'est pas impeccable. Ceci peut s'avérer nécessaire, par ex. en cas de pose de conduites d'évacuation très longues ou tortueuses ou en cas de formation de charge polluante particulièrement gluante (par ex. pendant les périodes de frai).








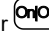

Tenir compte de ce qu'un temps de nettoyage prolongé signifie une hausse de la consommation d'eau. Le réglage de base de 10 s est en principe suffisant (cela correspond env. à 7/8 de rotation du tambour).

La manière de procéder	Info
1.  appuyer plusieurs fois sur cette touche jusqu'à ce que <i>ℓL</i> apparaisse sur l'afficheur.	<ul style="list-style-type: none"> • Annuler et quitter le menu : attendre 10 s ou appuyer sur  ou sur .
2.  maintenir cette touche enfoncée 5 s jusqu'à ce que l'afficheur indique le temps.	<ul style="list-style-type: none"> • Annuler et quitter le menu : attendre 5 s ou appuyer sur  ou sur .
3.  appuyer plusieurs fois sur cette touche pour modifier la valeur. <ul style="list-style-type: none"> • Modification rapide : maintenir la touche enfoncée 	<ul style="list-style-type: none"> • Plage réglable : 10 – 30 s • Incrément : 1 s • Comptage uniquement croissant. L'affichage repasse à 10 après avoir atteint la valeur 30. • Enregistrer la valeur réglée : attendre 5 s jusqu'à ce que le menu soit automatiquement quitté. • Annuler sans enregistrer et quitter le menu : appuyer sur  ou sur .

6.5.2 EC: Temps de nettoyage prolongé "Extra Cleaning"

Pour éviter tout dépôt grossier dans la goulotte à déchets ou le système de tuyauterie, l'appareil dispose d'un temps de nettoyage prolongé. Le temps de nettoyage prolongé commence après un nombre de cycles de nettoyage à définir. (→ *ln*: Nettoyage en fonction du temps « Intervalle »)

Il est possible d'augmenter le temps de nettoyage et de rincer de cette manière la conduite au moyen d'eau supplémentaire. Le temps de nettoyage prolongé est de 20 s dans le réglage de base.








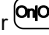

La manière de procéder	Info
1.  appuyer plusieurs fois sur cette touche jusqu'à ce que <i>CL</i> apparaisse sur l'afficheur.	Annuler et quitter le menu : attendre 10 s ou appuyer sur  ou sur  .
2.  maintenir cette touche enfoncée 5 s jusqu'à ce que l'afficheur indique le temps de nettoyage.	Annuler et quitter le menu : attendre 5 s ou appuyer sur  ou sur  .
3.  appuyer plusieurs fois sur cette touche pour modifier la valeur. <ul style="list-style-type: none"> • Modification rapide : maintenir la touche enfoncée. 	<ul style="list-style-type: none"> • Plage réglable : 10 s – 9 min. – Une valeur en minutes est affichée à l'écran avec une apostrophe (par exemple 5'). • Incrément 10 – 59 s : 1 s • Incrément 1 – 9 min : 1 min • Comptage uniquement croissant. L'affichage repasse à 10 après avoir atteint la valeur 9. • • Enregistrer la valeur réglée : attendre 5 s jusqu'à ce que le menu soit automatiquement quitté. • Annuler sans enregistrer et quitter le menu : appuyer sur  ou sur .

6.5.3 *ln*: Nettoyage en fonction du temps « Intervalle »

Outre le nettoyage automatique, l'appareil peut exécuter un nettoyage supplémentaire en fonction du temps. Cette fonction est particulièrement judicieuse pour les étangs à poissons. Car ceci permet aussi en cas de charge polluante minime de toujours évacuer les excréments produits avant que les substances nutritives ne se détachent.

Adapter l'intervalle de temps aux besoins. Avec un intervalle de temps de 20 minutes (réglage de base), le réglage du module filtre à tambour est en principe optimal. Lorsque l'intervalle de temps est de 0 minutes, la fonction est désactivée.

Le nettoyage en fonction du temps n'a aucun impact sur le nettoyage automatique qui démarre lorsque le niveau de l'eau est trop bas. L'intervalle de temps se réinitialise après chaque nettoyage automatique et le comptage du temps repart à zéro.

La manière de procéder	Info
1.  appuyer plusieurs fois sur cette touche jusqu'à ce que <i>ln</i> apparaisse sur l'afficheur.	• Annuler et quitter le menu : attendre 10 s ou appuyer sur  ou sur  .
2.  maintenir cette touche enfoncée 5 s jusqu'à ce que l'afficheur indique le temps.	• Annuler et quitter le menu : attendre 5 s ou appuyer sur  ou sur  .
3.  appuyer plusieurs fois sur cette touche pour modifier la valeur. <ul style="list-style-type: none"> • Modification rapide : maintenir la touche enfoncée. 	<ul style="list-style-type: none"> • Plage réglable : 0, 3 – 60 min • 0 min : pas de nettoyage en fonction du temps • Incrément : 1 min • Comptage uniquement croissant. L'affichage repasse à 0 après avoir atteint la valeur 60. • Enregistrer la valeur réglée : attendre 5 s jusqu'à ce que le menu soit automatiquement quitté. • Annuler sans enregistrer et quitter le menu : appuyer sur  ou sur .

Questions, problèmes, pièces manquantes ?

Before returning to your retailer, call us at 1-866-627-3435, 8 a.m.-6 p.m., EST, Monday-Friday, or email

Avant de retourner chez votre détaillant, appelez au 1 866 627-3435, entre 8 h et 18 h, heure de l'Est, ou encore envoyez-nous un courriel à l'adresse customercare@oase-livingwater.com. Vous pouvez aussi consulter notre site web au www.oase-livingwater.com

6.5.4 E7: Saisie de l'état de la pompe

(désactivé dans le système de pompage)

La saisie de l'état de la pompe indique via le message système Er88 si la pompe fonctionne correctement. La saisie de l'état est désactivée dans le réglage de base.

Si le message système Er77 ou Er88 s'affiche, modifier manuellement la saisie de l'état.



La manière de procéder	Info
1. Appuyer plusieurs fois sur Menu jusqu'à ce que E7 apparaisse sur l'afficheur.	<ul style="list-style-type: none"> • Annuler et quitter le menu : attendre 10 s ou appuyer sur On/Off ou sur Clean.
2. Maintenir Menu enfoncée 5 s. jusqu'à ce que l'afficheur indique la valeur 0 ou 1.	<ul style="list-style-type: none"> • Annuler et quitter le menu : attendre 5 s ou appuyer sur On/Off ou sur Clean.
3. Appuyer sur Menu pour modifier la valeur.	<p>Plage réglable : 0 ou 1</p> <ul style="list-style-type: none"> • 0: La saisie de l'état de la pompe est désactivée. • 1: La saisie de l'état de la pompe est activée. <p>Important : La valeur 0 doit être paramétrée (saisie de l'état désactivée).</p> <ul style="list-style-type: none"> • Annuler sans enregistrer et quitter le menu : appuyer sur On/Off ou sur Clean.

6.6 Lecture du nombre de nettoyages



6.6.1 Nettoyages en 24 heures

La manière de procéder	Info
<p>Menu et Clean maintenir ces touches enfoncées pendant 5 s.</p>	<p>Le système enregistre le total des nettoyages automatiques et en fonction du temps. Les 4 chiffres de la valeur s'affiche successivement par deux dans l'afficheur.</p> <p>Exemple : <i>01-17</i> : correspond à 117 nettoyages Après une pause prolongée, le nombre est répété 5 fois pour améliorer la lecture : <i>01-17--01-17--01-17--01-17--01-17</i></p> <p>Remarque : le compteur se remet à 0 à la coupure de la tension d'alimentation.</p> <p>Remarque : Les valeurs affichées peuvent fortement varier en raison de l'auto-vérification du système de filtration. L'auto-vérification surveille le nettoyage automatique La vérification est effectuée en continu durant un cycle de 2 x 24 heures. La vérification est active à partir d'une température d'eau >53,6 °F.</p> <ul style="list-style-type: none"> • Premier cycle de 24 heures <ul style="list-style-type: none"> – Si au moins un nettoyage automatique est reconnu, le cycle se renouvelle une fois qu'il est terminé. – Si aucun nettoyage automatique n'est reconnu, une fois le cycle terminé le deuxième cycle de 24 heures démarre à la suite. • Deuxième cycle de 24 heures <ul style="list-style-type: none"> – Le nettoyage sur signal d'horloge est désactivé. Ceci réduit le nombre de nettoyages. – Si au moins un nettoyage automatique est reconnu, une fois le cycle terminé le premier cycle de 24 heures redémarre à nouveau. – Si aucun nettoyage automatique n'est reconnu, le message système Er22 est déclenché en fin de cycle. Le nettoyage sur signal d'horloge redémarre à nouveau. Lors de l'exécution d'un nettoyage automatique, le premier cycle de 24 heures redémarre. Le message système Er22 est réinitialisé automatiquement.

6.6.2 Total des nettoyages

La manière de procéder	Info
<p> et  maintenir ces touches enfoncées pendant 5 s.</p>	<p>Le système enregistre le total des nettoyages automatiques, manuels et en fonction du temps. Les 8 chiffres de la valeur s'affiche successivement par deux dans l'afficheur.</p> <p>Exemple : <i>00-00-12-44</i>: correspond à 1244 nettoyages Après une pause prolongée, le nombre est répété 4 fois pour améliorer la lecture : <i>00-00-12-44---00-00-12-44--00-00-12-44--00-00-12-44</i></p> <p>Remarque : A la coupure de la tension réseau, le nombre des nettoyages est arrondi à la centaine et enregistré.</p>

6.7 Chargement des réglages de base

La manière de procéder	Info
<p> et  maintenir ces touches enfoncées 10 s jusqu'à ce que l'afficheur indique <i>rE</i>.</p>	<p>Toutes les valeurs réglées séparément sont écrasées ! Ci-après, les valeurs réglées :</p> <ul style="list-style-type: none"> • Temps de nettoyage <i>EL</i> : 10 s • Temps de nettoyage prolongé <i>EE</i> : 20 s • Nettoyage en fonction du temps <i>In</i> : 20 min



Questions, problèmes, pièces manquantes ?



Before returning to your retailer, call us at 1-866-627-3435, 8 a.m.-6 p.m., EST, Monday-Friday, or email

Avant de retourner chez votre détaillant, appelez au 1 866 627-3435, entre 8 h et 18 h, heure de l'Est, ou encore envoyez-nous un courriel à l'adresse customercare@oase-livingwater.com. Vous pouvez aussi consulter notre site web au www.oase-livingwater.co

6.8 Messages du système

Les 4 chiffres du message système s'affichent successivement par deux sur l'écran.

Message du système		Autres fonctions disponibles	Cause éventuelle	Remède	Réinitialisation du message système
Er-11	Couvercle du conteneur soulevé.	<ul style="list-style-type: none"> Nettoyage manuel (uniquement buses, le tambour filtrant ne tourne pas) 	Couvercle du conteneur soulevé.	Poser le couvercle du conteneur sur le conteneur	Automatique après la pose du couvercle du conteneur
			Couvercle du conteneur mal posé	Tourner le couvercle du conteneur de sorte que l'aimant dans le couvercle du conteneur soit sur la boîte de signalisation.	
			Boîte de signalisation non branchée	Raccorder la boîte de signalisation à la commande	
Er-22	Température d'eau >53.6 °F (12 °C) ET le dernier cycle de nettoyage automatique remonte à plus de 24 heures	<ul style="list-style-type: none"> Nettoyage manuel Mode automatique Nettoyage en fonction du temps 	Eléments de tamisage non étanches	Contrôler les éléments de tamisage, si besoin les remplacer	<ul style="list-style-type: none"> Appuyer 5 s sur la touche  Automatique si la détection de niveau commute
			Joint du tambour non étanche	Vérifier le joint du tambour	
			La sonde de niveau se coince ou est défectueuse	Nettoyer la sonde de niveau de sorte que la mécanique fonctionne avec souplesse, si besoin la remplacer	
			Le réglage de la sonde de niveau est incorrect	Réglage de la sonde de niveau	
		<ul style="list-style-type: none"> Nettoyage manuel Mode automatique 	Le mode de contrôle 24 heures est activé et le nettoyage en fonction du temps est désactivé.	Le nettoyage en fonction du temps est toujours activé automatiquement par le flotteur après le mode de contrôle.	
Er-33	20 nettoyages successifs	<ul style="list-style-type: none"> Nettoyage manuel Nettoyage en fonction du temps 	La sonde de niveau se coince ou est défectueuse	Nettoyer la sonde de niveau de sorte que la mécanique fonctionne avec souplesse, si besoin la remplacer	Appuyer 5 s sur la touche 
			Eléments de tamisage fortement colmatés	Nettoyer les éléments de tamisage, les détartrer (→ Démontage/Montage de l'élément de tamisage)	
			La pompe de rinçage ne fonctionne pas	<ul style="list-style-type: none"> Décrasser le fond du réservoir, nettoyer la pompe de rinçage (→ Nettoyage de la pompe de rinçage) Vérifier le raccordement de la pompe 	
			Buse de rinçage bouchée	Nettoyer la buse de rinçage	
			Le tambour filtrant ne tourne pas	<ul style="list-style-type: none"> Vérifier le raccordement du moteur Contrôler le mouvement de rotation du tambour filtrant. Conseil : Marquer le tambour filtrant et à l'aide de ces repères contrôler si le tambour tourne.	
			Le réglage de la sonde de niveau est trop bas	Réglage de la sonde de niveau	
			Niveau d'eau trop élevé dans le système :	<ul style="list-style-type: none"> Nettoyer les conduits d'écoulement Agrandir l'ouverture du conduit d'écoulement Réduire le débit (adapter le régime de la pompe) Procéder à un nettoyage intensif de l'étang Placer la pompe plus haut Nettoyage des mousses filtrantes 	
			<ul style="list-style-type: none"> Conduits d'écoulement encrassés Ouverture insuffisante du conduit d'écoulement Débit trop élevé (régime de pompe trop élevé) Bassin fortement pollué et refoulement excessif d'impuretés par la pompe filtrante Forte entrée de salissures, l'eau déborde des mousses filtrantes 		

Message du système		Autres fonctions disponibles	Cause éventuelle	Remède	Réinitialisation du message système
Er-44	Le moteur se bloque (la commande a essayé par 3 fois de faire démarrer respectivement 5 fois le moteur)	aucune	Le tambour filtrant est grippé ou coince	<ul style="list-style-type: none"> Nettoyer la bordure de tambour et sa pièce d'étanchéité, graisser la bordure de tambour. N'utiliser que la graisse de la société OASE (référence 27872). Contrôler la liberté de mouvement des galets Enlever les grosses particules sur la couronne dentée (filasses, cailloux, etc.) 	Appuyer 5 s sur la touche 
			Ecrasement de la lèvre de la pièce d'étanchéité au montage du tambour	Démonter le tambour et au remontage prendre garde à la bonne mise en place de la pièce d'étanchéité du tambour.	
			Tambour en état de charge sur un seul côté	Aligner le réservoir à l'horizontale	
Er-55	Plus de 960 cycles de nettoyage en 48 heures	<ul style="list-style-type: none"> Nettoyage manuel Mode automatique Nettoyage en fonction du temps 	Charge en salissures élevée pendant une courte durée	<ul style="list-style-type: none"> Attendre que la charge en salissures diminue Cet état opérationnel est inhabituel. Eviter un fonctionnement en continu: 	<ul style="list-style-type: none"> Appuyer 5 s sur la touche  Automatique si le nombre de cycles de nettoyage descend en dessous de 960
			Etang fortement pollué	<ul style="list-style-type: none"> Nettoyer l'étang Réduire la charge polluante Placer la pompe filtrante plus haut 	
			Eléments de tamisage fortement colmatés	Nettoyer les éléments de tamisage, les détartre (→ Remplacement des éléments de tamisage)	
			Effet de nettoyage réduit, la buse étant encrassée	<ul style="list-style-type: none"> Nettoyer la buse 	
			Niveau d'eau trop élevé dans le système :	<ul style="list-style-type: none"> Nettoyer les conduits d'écoulement Agrandir l'ouverture du conduit d'écoulement Réduire le débit Nettoyage des mousses filtrantes 	
Er-66	Élément de contact pour pompe de rinçage trop chaud dans la commande	aucune	Commande soumise à une chaleur excessive (soleil, température ambiante)	Protéger la commande contre la chaleur	Automatique après refroidissement
Er-88	La pompe filtrante ne refoule pas d'eau ou pas assez d'eau	<ul style="list-style-type: none"> Nettoyage manuel Mode automatique Nettoyage en fonction du temps 	Saisie de l'état de la pompe mal réglée	Régler la saisie de l'état de la pompe (→ E7: Saisie de l'état de la pompe)	Automatique après l'élimination de la cause
			La pompe filtrante est déconnectée	Mettre la pompe filtrante en circuit	
			L'unité de fonctionnement de la pompe filtrante est bloquée	Nettoyer la pompe filtrante	

Questions, problèmes, pièces manquantes ?

Before returning to your retailer, call us at 1-866-627-3435, 8 a.m.-6 p.m., EST, Monday-Friday, or email

Avant de retourner chez votre détaillant, appelez au 1 866 627-3435, entre 8 h et 18 h, heure de l'Est, ou encore envoyez-nous un courriel à l'adresse customercare@oase-livingwater.com. Vous pouvez aussi consulter notre site web au www.oase-livingwater.co

7 Dépannage

Défaut	Cause éventuelle	Remède
Pas de débit d'eau	La pompe de filtration n'est pas connectée	Connecter la pompe filtrante, brancher la fiche secteur.
	Conduit d'alimentation bouché en direction du système de filtration ou conduit de retour bouché en direction du bassin	Nettoyer les conduits d'alimentation ou de retour
Débit d'eau insuffisant	Bonde de fond, conduite ou tuyau bouché	Nettoyer, remplacer éventuellement
	Le tuyau est plié	Contrôler le tuyau, le remplacer éventuellement
	Pertes excessives dans les conduites	Réduire la longueur du tuyau au minimum nécessaire
L'eau ne devient pas claire	Le débit de pompage est insuffisant	Adapter le débit du pompage
	L'eau est extrêmement sale	<ul style="list-style-type: none"> • Enlever les algues et les feuilles du bassin • En cas de charge élevée, remplacer 30% de l'eau pour éviter de nuire aux poissons.
	Les particules de salissure n'arrivent pas sur le module filtre tambour	<ul style="list-style-type: none"> • Revoir l'écoulement d'eau pour que le skimmer ou la pompe du filtre captent bien les salissures. • Positionner le skimmer ou la pompe de filtre dans le flux d'eau en vérifiant que les salissures sont bien captées
	Population animale trop élevée	Réduire la population animale
	Les éléments de tamisage sont colmatés ou endommagés	Nettoyer ou remplacer les éléments de tamisage
	Le joint du tambour est positionné incorrectement	Contrôler l'assise du joint du tambour
	Le joint du tambour est endommagé	Vérifier le joint du tambour
Bruits inhabituels dans le tambour	Des particules de salissure grossières se sont accumulées dans le tambour filtrant	Ôter les éléments de tamisage et enlever les particules de salissure qui se trouvent dans le tambour filtrant
Goulotte de rinçage bouchée	Des particules de salissure grossières comme p. ex. des algues filamenteuses pendent dans la goulotte à déchets	Enlever l'élément de tamisage et nettoyer la goulotte à déchets
Le tambour filtrant est partiellement colmaté, il ne se nettoie pas	Buse de rinçage bouchée	Nettoyer voire remplacer la buse de rinçage
L'eau s'écoule par le biais du trop-plein	Les éléments de tamisage sont colmatés	Nettoyer voire détartrer les éléments de tamisage
	Le débit de pompage est excessif	Réduire le débit du pompage
	La tuyauterie des conduits d'écoulement des impuretés est bouchée.	Nettoyer la tuyauterie
Pas de démarrage du nettoyage sur signal d'horloge (nettoyage périodique)	<p>Contrôle par la centrale de commande du fonctionnement de la détection de niveau.</p> <ul style="list-style-type: none"> • Le contrôle démarre automatiquement si les cycles de nettoyage automatiques interviennent trop rarement 	<ul style="list-style-type: none"> • Attendre. Le contrôle dure au maximum 24 heures. • Le contrôle se termine lorsque la sonde de niveau commute. Un nettoyage automatique s'effectue. • Si la sonde de niveau ne se connecte pas dans un délai de 24 heures, l'affichage indique E-22. Le nettoyage sur signal d'horloge est activé. (→ Messages du système)
Pas d'affichage sur la commande	Câble non branché	Contrôler la connexion câblée
	La commande s'est coupée pour cause de surchauffe (thermocontact)	<p>Protéger la commande contre la chaleur et la laisser refroidir</p> <ul style="list-style-type: none"> • La commande se remet automatiquement en circuit après son refroidissement • Message d'erreur E-65 prévient déjà d'un risque de surchauffe de la commande

Défaut	Cause éventuelle	Remède
	Le fusible a réagi pour cause de blocage de la pompe de rinçage (consommation de courant excessive)	Nettoyage de la pompe de rinçage (→ Nettoyage de la pompe de rinçage) Remplacer le fusible (→ Caractéristiques techniques)
Film d'huile dans le module filtre à tambour	Lorsque la pompe de rinçage est neuve, un peu d'huile alimentaire inoffensive risque de s'écouler pendant un bref instant.	Pas de mesures requises
L'eau est polluée par des produits toxiques comme le nitrate d'ammonium/le nitrite.	Pas assez de bioéléments Hel-X en action	Si besoin, utiliser plus de bioéléments Hel-X
	L'appareil est en service depuis peu de temps	L'effet de nettoyage biologique complet n'est atteint qu'après quelques semaines
Les bioéléments Hel-X sont évacués	Le tuyau treillis métallique a glissé	Corriger la position du tube grillagé
	Tuyau treillis métallique défectueux	Remplacer le tube grillagé
Le mouvement des bioéléments Hel-X s'amenuise	Barre d'oxygénateur bouchée	Remplacer la barre d'oxygénateur
	La pompe d'oxygénation est défaillante	Contrôler la pompe d'oxygénation
Mouvement réduit des nouveaux bioéléments Hel-X	La colonisation des bioéléments Hel-X n'est pas encore totale	La colonisation avec des bactéries demande quelques semaines. Processus naturel. Attendre.

Questions, problèmes, pièces manquantes ?

Before returning to your retailer, call us at 1-866-627-3435, 8 a.m.-6 p.m., EST, Monday-Friday, or email

Avant de retourner chez votre détaillant, appelez au 1 866 627-3435, entre 8 h et 18 h, heure de l'Est, ou encore envoyez-nous un courriel à l'adresse customercare@oase-livingwater.com. Vous pouvez aussi consulter notre site web au www.oase-livingwater.co

8 Nettoyage et entretien



AVERTISSEMENT

La mort ou des blessures graves dues à une tension électrique dangereuse !

- ▶ Toujours couper l'alimentation électrique de tous les appareils se trouvant dans l'eau avant tout contact avec l'eau.
 - ▶ Couper la tension secteur avant toute exécution de travaux sur l'appareil.
-



ATTENTION

Risque de blessure en raison de pièces à arêtes vives.

- ▶ Agir avec précaution lors des travaux sur le récipient de filtre afin d'éviter toutes blessures en raison des pièces à arêtes vives.
-

8.1 Nettoyage de l'appareil

- ▶ N'utiliser ni des produits de nettoyage agressifs, ni des solutions chimiques qui risqueraient d'attaquer le corps ou d'entraver le fonctionnement de l'appareil.
- ▶ Produits de nettoyage recommandés en cas d'entartrages tenaces :
 - Nettoyant pour pompe PumpClean de OASE.
 - Détergents ménagers exempts de vinaigre et de chlore.
- ▶ Après le nettoyage, rincer méticuleusement toutes les pièces à l'eau claire.

8.2 Travaux périodiques

Le système de filtration est autonettoyant. Exécuter régulièrement les travaux qui suivent pour que le système de filtration parvienne toujours à un rendement de nettoyage optimal.

Contrôles périodiques

- ▶ Sur l'afficheur de la commande, contrôler si des messages système sont affichés. (→ Messages du système)
- ▶ Contrôler la zone en amont de la cloison de séparation et le tambour filtrant pour déceler tout encrassement excessif (p. ex. algues filamenteuses). Démontez pour cela un élément de tamisage. (→ Démontage/Montage de l'élément de tamisage)

Enlever les dépôts de salissure

Les fines particules de salissure non captées par le tambour filtrant arrivent au fond et doivent être enlevées.

- ▶ Ouvrir le robinet d'arrêt pour le conduit d'écoulement (en bas sur le conteneur) une fois par mois pendant 10 secondes.
- ▶ Enlever les dépôts devant le tambour filtrant.
- ▶ Enlever les filaments d'algue dans la goulotte.
- ▶ Éliminer les dépôts sur la sonde de niveau.

8.3 Nettoyage du système de filtration complet

- ▶ C'est uniquement en cas d'impuretés exceptionnelles que le système de filtration complet doit être mis hors circuit pour le nettoyer et l'entretenir.
- ▶ Ne pas utiliser de produits chimiques pour le nettoyage, car ceux-ci tuent les bactéries filtrantes.

Voici comment procéder :

1. Couper toutes les pompes filtrantes.
2. Mettre tous les autres appareils électriques du système de filtration (p. ex. clarificateur UVC) hors circuit.
3. Ouvrir le robinet d'arrêt installée en bas sur le conteneur pour le conduit d'écoulement des impuretés et évacuer l'eau polluée de manière réglementaire.
4. Exécuter les mesures de nettoyage.
 - Rincer à l'eau courante les bioéléments Hel-X se trouvant dans le réservoir.
5. Fermer le robinet d'arrêt.
6. Mettre le système de filtration en marche. (→ Mise en service)

8.4 Nettoyage du dispositif de rinçage

Voici comment procéder :

P

1. Enlever la couverture et lancer un nettoyage manuel pour contrôler le fonctionnement impeccable des buses de rinçage. (→ (Nettoyage manuel)
2. Desserrer l'écrou-raccord de la buse bouchée, enlever la buse et le joint du tuyau de rinçage et nettoyer les pièces.
3. Faire glisser l'écrou-raccord sur la buse et, joint compris, le visser sur le tuyau de rinçage.
 - Aligner la buse de sorte à ce que le repère soit en haut.
 - Serrer l'écrou-raccord à la main.
 - Mettre le capot en place.

8.5 Nettoyage de l'élément de tamisage

8.5.1 Démontage/Montage de l'élément de tamisage

Voici comment procéder :

Q

Démontage

1. Faire tourner le tambour filtrant à la main jusqu'à ce que l'élément de tamisage soit en face du moteur à tambour. Desserrer le dispositif de verrouillage (rotation de 180°).
2. Abaisser complètement l'élément de tamisage dans le tambour filtrant.
3. Sortir l'élément de tamisage du tambour filtrant.

Montage

4. Abaisser complètement l'élément de tamisage dans le tambour filtrant.
5. Tourner l'élément de tamisage et glisser les deux charnières sur le support du tambour filtrant.
6. Tirer l'élément de tamisage vers le haut par l'entretoise centrale.
7. Serrer le dispositif de verrouillage (rotation de 180°).

Questions, problèmes, pièces manquantes ?

Before returning to your retailer, call us at 1-866-627-3435, 8 a.m.-6 p.m., EST, Monday-Friday, or email

Avant de retourner chez votre détaillant, appelez au 1 866 627-3435, entre 8 h et 18 h, heure de l'Est, ou encore envoyez-nous un courriel à l'adresse customercare@oase-livingwater.com. Vous pouvez aussi consulter notre site web au www.oase-livingwater.co

8.5.2 Détartrage des éléments de tamisage

Les messages d'erreur *Er33*, *Er55* ou une hausse excessive des nettoyages (compteur) signalent un entartrage des éléments de tamisage. (→ Lecture du nombre de nettoyages)

En cas d'eau à forte teneur de calcaire, Oase préconise l'exécution d'un détartrage préventif tous les deux voire trois mois.

Produits de détartrage recommandés :

- ▶ Plonger les éléments de tamisage dans du vinaigre concentré (20 à 25 % d'acide) jusqu'à l'élimination des dépôts de tartre.
- ▶ Saupoudrer les éléments de tamisage humides d'acide citrique en poudre et laisser agir jusqu'à l'élimination des dépôts de tartre.
- ▶ Produits de nettoyage recommandés en cas d'entartrages tenaces :
 - Nettoyant pour pompe PumpClean de OASE.
 - Détergents ménagers exempts de vinaigre et de chlore.

Voici comment procéder :

1. Démontage de l'élément de tamisage. (→ Démontage/Montage de l'élément de tamisage)
2. Détartrage de l'élément de tamisage
 - Ne pas enlever le joint en caoutchouc de l'élément de tamisage.
3. Brosser l'élément de tamisage avec une brosse douce sous l'eau courante et le rincer.
4. Monter l'élément de tamisage.

8.6 Démontage/montage du tambour filtrant

Enlever un élément de tamisage pour exécuter des travaux dans le tambour filtrant. (→ Démontage/Montage de l'élément de tamisage)

Démontage

Voici comment procéder :

R

1. Sortir le dispositif de rinçage de ses clips de fixation et enlever la cloison séparatrice.
2. Desserrer les deux vis à six pans creux du moteur du tambour et les enlever, tirer le moteur du tambour par le trou de la cloison de séparation et le sortir.
 - Ne pas laisser pendre le moteur du tambour au câble de raccordement.
3. Desserrer le collier de serrage qui fixe la goulotte à déchets.
4. Sortir la goulotte à déchets de la tubulure du conduit d'écoulement des salissures et la placer dans le tambour filtrant.
5. Rabattre la goupille fendue à charnière et l'enlever.
6. Enlever l'arbre de tambour.
7. Sortir le tambour filtrant de la cloison de séparation et l'extraire du conteneur en le soulevant.
 - Travailler avec précaution : les clips de fixation se trouvant sur la paroi du conteneur risquent d'endommager les éléments de tamisage.

Montage

Voici comment procéder :

R, S

Avant le remontage du tambour filtrant, vérifier le bon état et la pose correcte de son joint d'étanchéité. Graisser le joint avec la graisse fournie. Remplacer le joint de tambour s'il est endommagé.

1. Insérer le nouveau joint de tambour : L'encoche du joint de tambour doit se trouver en haut.
 2. La cloison séparatrice doit être intégralement insérée dans la rainure du joint du tambour.
- ▶ Effectuer la suite du montage en suivant l'ordre inverse.

8.7 Nettoyage de la pompe de rinçage



CONSEIL

Des encrassements dans le dispositif et la pompe de rinçage se laissent souvent éliminer en nettoyant le dispositif de rinçage sans buse/buses.

- ▶ Pour le nettoyage, enlever la buse/les buses pour pouvoir éliminer les particules de salissure par rinçage.

Enlever le couvercle intérieur pour pouvoir exécuter des travaux sur la pompe de rinçage.

Voici comment procéder :

T

1. Desserrer le blocage de la position. Décrocher pour cela les deux courroies en caoutchouc.
2. Soulever la pompe de rinçage, enlever la bague en caoutchouc et la poche de filtre.
 - Nettoyer toutes les pièces à l'eau claire.

8.8 Remplacement de la pompe

Enlever le couvercle intérieur pour pouvoir exécuter des travaux sur la pompe de rinçage.

Voici comment procéder :

U

1. Desserrer le blocage de la position. Décrocher pour cela les deux courroies en caoutchouc.
2. Desserrer le collier de serrage et débrancher le tuyau.
3. Enlever la pompe de rinçage et la remplacer.
 - Débrancher le câble de raccordement de la pompe de rinçage dans le faisceau de câbles.
4. Remonter la pompe de rinçage en suivant l'ordre inverse.

8.9 Remplacement de la barre d'oxygénateur

Voici comment procéder :

V

1. Retirer env. 2/3 des bioéléments Hel-X et les stocker humides. Remettre les bioéléments Hel-X dans le réservoir après l'achèvement des travaux d'entretien.
2. Sortir la pierre jaillissante de son support de serrage sur le fond du récipient.
3. Débrancher le tuyau de raccordement de la pierre jaillissante et le monter sur la nouvelle pierre jaillissante.
 - Fixer le tuyau de raccordement avec des attaches-câbles.
4. Replacer la pierre jaillissante dans son support de serrage.

Questions, problèmes, pièces manquantes ?

Before returning to your retailer, call us at 1-866-627-3435, 8 a.m.-6 p.m., EST, Monday-Friday, or email

Avant de retourner chez votre détaillant, appelez au 1 866 627-3435, entre 8 h et 18 h, heure de l'Est, ou encore envoyez-nous un courriel à l'adresse customercare@oase-livingwater.com. Vous pouvez aussi consulter notre site web au www.oase-livingwater.co

9 Stockage / entreposage pour l'hiver

L'appareil est protégé contre le gel (p. ex. dans un garage ou dans un logement)

L'exploitation de l'appareil est possible lorsque la température minimale de l'eau de 39 °F (+4 °C) est respectée.

- ▶ Régler l'intervalle du nettoyage en fonction du temps à 20 minutes pour éviter tout endommagement du dispositif de rinçage par le gel.
- ▶ Placer la commande de sorte à ce qu'elle soit protégée. La température de service minimale de la commande est de 14 °F (-10 °C).

En hiver, la température de l'eau des zones de bassin qui se trouvent en grande profondeur est d'environ 39 °F (+4 °C) et ces zones sont d'une importance vitale pour les poissons. Les mesures à prendre qui suivent permettent la réduction du refroidissement de l'eau par la circulation à travers le système de filtration :

- ▶ Positionner la pompe plus près de la surface de l'eau pour que seule l'eau froide soit pompée dans les zones de bassin qui se trouvent plus haut.
- ▶ Isoler les conduites de retour du système de filtration dans le bassin.
- ▶ Ne pas laisser l'eau s'écouler dans le bassin par le biais d'un cours de ruisseau.

L'appareil n'est pas protégé contre le gel (p. ex. installation en plein air)

Mettre l'appareil hors service si la température de l'eau est inférieure à 46 °F (+8 °C) ou au plus tard en cas de risque de gel.

- ▶ Vidanger l'appareil autant qu'il est possible de le faire, procéder à un nettoyage soigneux et vérifier l'absence de dommages.
- ▶ Vider l'ensemble des tuyaux, conduites et raccordements autant que possible.
- ▶ Laisser le robinet d'arrêt ouvert.
- ▶ Couvrir le réservoir de telle sorte que l'eau de pluie ne puisse pas y pénétrer.
- ▶ Protéger les conduites et les robinets d'arrêt contenant de l'eau contre le gel.

10 Pièces d'usure

- ▶ Condensateur de la pompe de rinçage
 - Ne pas ouvrir la pompe de rinçage. Envoyer la pompe de rinçage à Oase. Vous recevrez immédiatement la rechange.
- ▶ Fusible
- ▶ Éléments de tamisage
- ▶ Joint d'étanchéité du tambour
- ▶ Aérateurs et flexibles à air

11 Recyclage



REMARQUE

Il est interdit de mettre cet appareil au rebut en l'évacuant vers la gestion des ordures ménagères.

- ▶ Rendre l'appareil inutilisable en coupant le câble et le mettre au rebut en utilisant le système de retour prévu à cet effet.

12 Caractéristiques techniques

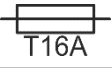





ProfiClear Premium Compact-L EGC USA			
Commande	Tension assignée	V CA	120
	Fréquence de réseau	Hz	60
	Consommation au repos	W	5
	Consommation lors du nettoyage	W	1150
	Tension de sortie pompe de rinçage	V CA	120
	Tension de sortie moteur du tambour	V DC	12
	Tension de sortie boîte de signalisation	V DC	12
	Température ambiante	°F	14 ... 95
	Fusible		5 × 20 mm, T 16 A / 250 V
	Longueur du câble secteur	ft	16.5
Température d'eau admissible		°F	39 ... 95
Longueur faisceau de câbles		ft	3.3
Bruit aérien		dB(A)	< 70
Dimensions	L × l × h	in	52.7 × 35.4 × 32.3
Poids	sans eau	livres	233
	avec eau	livres	≈1012
Pompe de rinçage	Pression d'eau	psi	37
	Consommation d'eau par opération de rinçage	gal	≈2.3
Tambour	Diamètre	in	19.7
	Largeur	in	6.3
Éléments de tamisage	Nombre	pce	8
Séparation des grosses impuretés	Taille des mailles	µm	60
Conduit d'admission	Nombre	pce	1 + 1 (en option)
	Prise		Ø 2 in (Ø 50 mm)
Conduit d'écoulement	Nombre	pce	2
	Prise	in	Ø 4 (DN 110)
Option préclarificateur à UVC			Bitron C 55 W ... 110 W
Sortie des impuretés	Nombre	pce	1
	Prise	in	Ø 3 (DN 75)
Écoulement pour particules grossières	Nombre	pce	1
	Prise	in	Ø 4 (DN 110)
Débit de recirculation	maximale	gph	5284
	minimal	gph	2632
Bioéléments Hel-X	Quantité fournie	gal	15.9
	Quantité de remplissage	gal	5.3
Aération	Barres de l'oxygénateur	pce	1
	Raccordement à		AquaOxy 450

Questions, problèmes, pièces manquantes ?

Before returning to your retailer, call us at 1-866-627-3435, 8 a.m.-6 p.m., EST, Monday-Friday, or email

Avant de retourner chez votre détaillant, appelez au 1 866 627-3435, entre 8 h et 18 h, heure de l'Est, ou encore envoyez-nous un courriel à l'adresse customercare@oase-livingwater.com. Vous pouvez aussi consulter notre site web au www.oase-livingwater.com

13 Symboles sur l'appareil

IP44	Protection contre la poussière. Protection contre la projection d'eau
 T16A	Fusible 16 A / 250 V, à action retardée
	Dangers possibles pour les personnes ayant des stimulateurs cardiaques.
	Protéger contre les rayons directs du soleil
	Retirer l'appareil en cas de gel !
	Ne pas exécuter de manipulations dans les conduits d'admission et d'écoulement. Risque de blessure par le mouvement de cisaillement.
	Toujours lire la notice d'utilisation.

Traducción de las instrucciones de uso originales



ADVERTENCIA

- ▶ Este equipo puede ser utilizado por niños a partir de 8 años y mayores así como por personas con capacidades físicas, sensoriales o mentales reducidas o que no dispongan de la experiencia y conocimientos necesarios, cuando sean supervisados o hayan sido instruidos en el uso seguro del equipo y los posibles peligros resultantes.
- ▶ Los niños no deben jugar con el equipo.
- ▶ Está prohibido que los niños ejecuten la limpieza y el mantenimiento sin supervisión.
- ▶ El equipo tiene que estar protegido con un dispositivo de protección contra corriente de fuga máxima de 30 mA.
- ▶ Conecte el equipo sólo cuando los datos eléctricos del equipo coinciden con los datos de la alimentación de corriente. Los datos del equipo se encuentran en la placa de datos técnicos en el equipo, en el embalaje o en estas instrucciones.
- ▶ Existe peligro de muerte o lesiones graves por choque eléctrico. Separe todos los equipos eléctricos que se encuentran en el agua de la red de corriente antes de tocar el agua.
- ▶ La línea de conexión dañada no se pueden sustituir. Deseche el equipo.

Questions, problèmes, pièces manquantes ?

Before returning to your retailer, call us at 1-866-627-3435, 8 a.m.-6 p.m., EST, Monday-Friday, or email

Avant de retourner chez votre détaillant, appelez au 1 866 627-3435, entre 8 h et 18 h, heure de l'Est, ou encore envoyez-nous un courriel à l'adresse customercare@oase-livingwater.com. Vous pouvez aussi consulter notre site web au www.oase-livingwater.co

Índice

1	Sobre estas instrucciones de uso	80
1.1	Indicaciones de advertencia en estas instrucciones.....	80
1.2	Referencias en estas instrucciones	80
2	Indicaciones de seguridad	81
2.1	Conexión eléctrica	81
2.2	Peligro para las personas con marcapasos.....	81
2.3	Funcionamiento seguro	81
3	Descripción del producto.....	82
3.1	Uso conforme a lo prescrito	82
3.2	Estructura del equipo	83
3.3	Descripción del funcionamiento.....	84
3.4	Sistema de control Easy Garden (EGC).....	84
4	Emplazamiento y conexión	85
4.1	Transporte del recipiente	85
4.2	Emplazamiento del recipiente del filtro	86
4.3	Conexión del filtro de tambor	87
4.3.1	Indicaciones sobre las tuberías	87
4.3.2	Conexión de la entrada.....	87
4.3.3	Montaje del equipo clarificador UVC	88
4.3.4	Conexión de la salida de suciedad gruesa.....	88
4.3.5	Conexión de la salida de suciedad.....	88
4.4	Conexión del control con caja EGC	89
4.4.1	Conexión del control.....	89
4.4.2	Conexión de la caja EGC	89
4.4.3	Conexión de otro equipo compatible con EGC	89
4.5	Emplazamiento del control con caja EGC	90
4.6	Montaje de la caja del condensador	90
4.7	Conexión del aireador de estanque	90
5	Puesta en marcha	91
5.1	Secuencia de la puesta en marcha.....	92
5.1.1	Ajuste del registro de nivel.....	93
6	Operación.....	94
6.1	Vista general del control	94
6.2	Conexión / desconexión.....	94
6.3	Modos de operación	95
6.4	Limpieza manual	95
6.5	Ajustes en los menús.....	95
6.5.1	CL : Tiempo de limpieza "Cleaning".....	95
6.5.2	EC : Tiempo de limpieza prolongado "Extra Cleaning"	96
6.5.3	En : Limpieza en función del tiempo "Intervalo"	96
6.5.4	E7 : Registro del estado de la bomba.....	97
6.6	Lectura de la cantidad de procedimientos de limpieza.....	97
6.6.1	Procedimientos de limpieza en 24 horas.....	97
6.6.2	Procedimientos de limpieza en total.....	98
6.7	Carga de los ajustes básicos	98
6.8	Mensajes del sistema	99
7	Eliminación de fallos.....	101

8	Limpieza y mantenimiento	103
8.1	Limpieza del equipo	103
8.2	Trabajos regulares	103
8.3	Limpieza del sistema de filtrado completo	103
8.4	Limpieza del equipo de enjuague	104
8.5	Limpieza del elemento de criba	104
8.5.1	Desmontaje/ montaje del elemento de criba	104
8.5.2	Descalcificación de los elementos de criba	104
8.6	Desmontaje/montaje del tambor de filtro	105
8.7	Limpieza de la bomba de enjuague	105
8.8	Sustitución de la bomba de enjuague	105
8.9	Sustitución de la barra aireadora	106
9	Almacenamiento / Conservación durante el invierno	106
10	Piezas de desgaste	106
11	Desecho	106
12	Datos técnicos	107
13	Símbolos en el equipo	108

Questions, problèmes, pièces manquantes ?

Before returning to your retailer, call us at 1-866-627-3435, 8 a.m.-6 p.m., EST, Monday-Friday, or email

Avant de retourner chez votre détaillant, appelez au 1 866 627-3435, entre 8 h et 18 h, heure de l'Est, ou encore envoyez-nous un courriel à l'adresse customercare@oase-livingwater.com. Vous pouvez aussi consulter notre site web au www.oase-livingwater.co

RECORDATORIO
LLAME AL 1-866-627-3435
ANTES DE REGRESAR A LA TIENDA.

1 Sobre estas instrucciones de uso

La compra del producto **ProfiClear Premium Compact-L EGC USA** es una buena decisión.

Lea minuciosamente las instrucciones y familiarícese con el equipo antes de usar el mismo por primera vez. Todos los trabajos en y con este equipo sólo se deben ejecutar conforme a estas instrucciones.

Tenga necesariamente en cuenta las indicaciones de seguridad para garantizar un uso correcto y seguro del equipo.

Guarde cuidadosamente estas instrucciones. Entregue estas instrucciones al nuevo propietario en caso de cambio de propietario.

1.1 Indicaciones de advertencia en estas instrucciones

Las indicaciones de advertencia contenidas en estas instrucciones están clasificadas mediante palabras de advertencia que muestran la dimensión del peligro.



ADVERTENCIA

Caracteriza una situación posiblemente peligrosa que puede provocar la muerte o graves lesiones si no se evita.



CUIDADO

Caracteriza una situación posiblemente peligrosa que puede provocar lesiones leves o moderadas si no se evita.



INDICACIÓN

Caracteriza una situación posiblemente peligrosa que puede provocar daños materiales o en el medio ambiente si no se evita.



CONSEJO

Un consejo útil.

1.2 Referencias en estas instrucciones

- A Referencia a una ilustración, p. ej. ilustración A.
- Referencia a otro capítulo.

2 Indicaciones de seguridad

2.1 Conexión eléctrica

- ▶ Las instalaciones eléctricas deben cumplir las prescripciones de montaje nacionales y se deben realizar sólo por un electricista calificado.
- ▶ Una persona es un electricista calificado cuando por su formación, conocimientos y experiencias profesionales es capaz y está autorizada a valorar y ejecutar los trabajos encargados. Los trabajos como personal técnico también incluyen el reconocimiento de los posibles peligros y el cumplimiento de las correspondientes normas, prescripciones y disposiciones regionales y nacionales.
- ▶ En caso de preguntas y problemas diríjase a personal electricista especializado.
- ▶ Conecte el equipo sólo cuando los datos eléctricos del equipo coinciden con los datos de la alimentación de corriente. Los datos del equipo se encuentran en la placa de datos técnicos en el equipo, en el embalaje o en estas instrucciones.
- ▶ Conecte el equipo sólo a un tomacorriente instalado conforme a lo prescrito.
- ▶ Las líneas de prolongación y distribuidores de corriente (p. ej. enchufes múltiples) deben ser apropiados para el empleo a la intemperie (protegido contra salpicaduras de agua).
- ▶ Proteja las conexiones de enchufe contra humedad.

2.2 Peligro para las personas con marcapasos

- ▶ La unidad de rodadura en el equipo incluye un imán con un fuerte campo magnético que puede influir en marcapasos o desfibriladores implantados (ICD). Mantenga una distancia mínima de 8 in (0,2 m) entre el implante y el imán.

2.3 Funcionamiento seguro

- ▶ Está prohibido operar el equipo si la caja está defectuosa.
- ▶ Está prohibido operar el equipo si la línea eléctrica está defectuosa.
- ▶ No transporte ni tire el equipo por la línea eléctrica.
- ▶ Tienda las líneas con protección contra daños y garantice que ninguna persona tropiece con ellas.
- ▶ No realice nunca modificaciones técnicas en el equipo.
- ▶ Ejecute en el equipo sólo los trabajos descritos en estas instrucciones. Si no es posible eliminar determinados problemas diríjase a una oficina de atención a los clientes o en caso de dudas al fabricante.
- ▶ Emplee para el equipo sólo piezas de recambio y accesorios originales.
- ▶ Separe el equipo de la red de corriente en caso de tormentas.
- ▶ Una sobretensión en la red puede causar fallos de funcionamiento en el equipo. En el capítulo "Eliminación de fallos" se encuentran informaciones al respecto.
- ▶ No respire la niebla de pulverización del equipo de enjuague. La niebla de pulverización puede contener bacterias peligrosas para la salud. Si está quitada la tapa del recipiente el equipo de enjuague sigue funcionando.

¿Preguntas, problemas, partes faltantes?

Before returning to your retailer, call us at 1-866-627-3435, 8 a.m.-6 p.m., EST, Monday-Friday, or email

Antes de regresar con su vendedor, llame al 1-866-627-3435 de 8 am a 6 pm, hora del este, de lunes a viernes, o envíenos un correo electrónico a customercare@oase-livingwater.com. O visite nuestra página web www.oase-livingwater.com

3 Descripción del producto

A

El sistema de filtrado tiene que estar encima del nivel del agua del estanque. El agua sucia del estanque se bombea con una bomba de filtro del estanque al sistema de filtrado. El agua clarificada retorna al estanque a través de una tubería inclinada.

Ventajas del sistema de bombeo:

- ▶ Pocos trabajos de instalación
- ▶ Fácil ampliación del sistema
- ▶ Conexión previa fácil de los clarificadores UVC
- ▶ Ajustado de forma óptima a la bomba de filtro AquaMax Eco Premium de OASE

3.1 **Uso conforme a lo prescrito**

El producto descrito en estas instrucciones sólo se debe emplear de la forma siguiente:

- ▶ Para limpiar los estanques de jardín.
- ▶ Operación observando los datos técnicos. (→ Datos técnicos)
- ▶ Empleo sólo para fines privados.

Para el equipo son válidas las siguientes limitaciones:

- ▶ Operación sólo con agua a una temperatura del agua de 39 a 95 °F (+4 a +35 °C).
- ▶ Está prohibido operar con otros líquidos distintos del agua.
- ▶ No apropiado para agua salada.
- ▶ No opere nunca sin circulación de agua.
- ▶ No emplee el equipo en combinación con productos químicos, alimentos y sustancias fácilmente inflamables o explosivos.

3.2 Estructura del equipo

□ C	Descripción
1	Tapa del recipiente
2	Caja de señales con registro del nivel (3) y sensor de temperatura (7) • La caja de señales se conecta en el control (30, 32).
3	Registro del nivel • Avisa el nivel de agua en el sistema de filtrado.
4	Rodillos para guiar el tambor de filtro
6	Tambor de filtro con 8 elementos de criba • Elementos de criba para la suciedad gruesa hasta 60 µm, opcional también con 30 + 150 µm
7	Sensor de temperatura • Supervisa la temperatura del agua.
8	Manguera de aire Ø 3/8 in (Ø 9 mm)
9	Bioelemento Hel-X 13 en la cámara de filtro Moving Bed
10	2 salidas Ø 4 in (DN 110)
11	Barra aireadora
12	Tubo de rejilla • Evita el escape de los bioelementos Hel-X-
13	Bomba de enjuague para la alimentación del equipo de enjuague (24)
14	1 salida de suciedad con válvula de cierre Ø 3 in (DN 75)
15	2 adaptadores, 2 codos de entrada de 30° con tuerca de racor Para la conexión del clarificador UVC Bitron en los pasos Ø 1½ in (Ø 38 mm) (18)
16	Juego de conexión para bombas de filtro • 1 boquilla de manguera Ø 2 in (Ø 50 mm), 1 tuerca de racor para la boquilla de manguera, 1 abrazadera de manguera Ø 1.6 ... 2.3 in (Ø 40 ... 60 mm), 1 junta plana 2.2 × 1.7 × 0.1 in (56 × 43 × 3 mm)
17	1 entrada Ø 2 in (Ø 50 mm) • Para conectar una bomba de filtro
18	2 entradas Ø 1½ in (Ø 38 mm), cerradas con tapones • Para la conexión de un clarificador UVC Bitron opcional
20	1 entrada opcional Ø 2 in (Ø 50 mm) • Se tiene que cortar si fuera necesario (conexión no incluida en el suministro)
21	1 salida de suciedad gruesa Ø 4 in (DN 110)
22	Motor para el tambor de filtro • El motor se conecta en el control (30, 31).
23	Canal de suciedad • Recoge la suciedad gruesa y el agua de enjuague de los elementos de criba (6).
24	Equipo de enjuague • Elimina la suciedad gruesa de los elementos de criba (6) mediante enjuague a alta presión de agua.
25	Grasa para la junta del tambor
27	Pieza de transición Ø 3/8 in a Ø 1/8 in (Ø 9 mm a Ø 4 mm)
28	Pieza en Y
29	2 bridas de cables para fijar las mangueras de aire en la pieza en Y
30	Control con caja EGC • Permite la integración por cables en la red EGC.
31	Clavija de enchufe para conectar el motor del tambor
32	Conector para conectar la caja de señales
33	Cable de conexión de red
34	Clavija de conexión para la bomba de enjuague
35	Portafusibles • Protección del control con fusibles 5 × 20 mm, T16 A, 250 V
36	2 tapas tuercas de sombrero para fijar la caja EGC • Se necesita para la suspensión de la caja EGC en la pared del recipiente
37	Caja del condensador para la bomba de enjuague
38	Clavija de enchufe para conectar en el control (34)
39	Clavija de enchufe para conectar la bomba de enjuague

¿Preguntas, problemas, partes faltantes?

Before returning to your retailer, call us at 1-866-627-3435, 8 a.m.-6 p.m., EST, Monday-Friday, or email

Antes de regresar con su vendedor, llame al 1-866-627-3435 de 8 am a 6 pm, hora del este, de lunes a viernes, o envíenos un correo electrónico a customercare@oase-livingwater.com. O visite nuestra página web www.oase-livingwater.com

3.3 Descripción del funcionamiento

El ProfiClear Premium Compact combina en un solo aparato la separación de la suciedad gruesa y la filtración biológica. Las cribas separan las partículas de suciedad de todo tipo antes de que el agua alcance la biología del filtro. Mediante la separación de las sustancias sólidas se elimina una gran parte de las sustancias nutritivas del agua. Después de esta filtración mecánica, los bioelementos Hel-X en el sistema Moving Bed asumen la filtración biológica del agua del estanque.

El control con el sistema de microcontrolador integrado controla y supervisa automáticamente el proceso de filtrado. La autolimpieza automática se puede adaptar de forma individual a las necesidades.

Los bioelementos Hel-X garantizan una descomposición efectiva de las sustancias nutritivas y nocivas en el agua. En su superficie se asientan en el transcurso del tiempo las bacterias encargadas de la nitrificación y la desnitrificación. Estas bacterias limpian el agua antes de que abandone el recipiente. El procedimiento de lecho fluidizado (interacción de la corriente de agua y la alimentación de oxígeno) y la técnica de bypass garantizan el movimiento óptimo de los bioelementos Hel-X también a altos caudales. El sistema biológico es además autolimpiante y no requiere ningún mantenimiento adicional.

Bajo condiciones óptimas, los bioelementos Hel-X de 15,85 gal (60 l) pueden descomponer las sustancias nutritivas de aprox. 14,4 oz (408 g) de comida para peces/día. La eficiencia se puede aumentar a 21,0 gal (80 l) o 22,5 gal (85 l), es decir 19,2 oz/día (544 g/día) o 20,4 oz/día (578 g/día), si fuera necesario.

El desarrollo de la biología en el filtro requiere algunos días. Esto se acelera adicionando bacterias activadoras biológicas.

BioKick contiene millones de microorganismos activos, que comienzan de inmediato con la limpieza del agua. Después de algunas semanas ya se desarrolló completamente la biología en el filtro.

La nitrificación es la descontaminación del agua del amoníaco/amonio y nitrito por bacterias especiales. Estas sustancias aumentan en el agua por los alimentos y las heces de los peces. El amoníaco es especialmente venenoso para los peces.

La nitrificación se realiza en dos pasos. En el primer paso las bacterias convierten el amoníaco/amonio en nitrito. En el segundo paso otras bacterias convierten este nitrito en un nitrato no venenoso, pero favorable para el desarrollo de las algas. Para ambos pasos se emplea oxígeno. El oxígeno se sustrae al agua.

Desnitrificación es la descomposición del nitrato a nitrógeno gaseoso. En caso de un bajo contenido de oxígeno, las bacterias absorben el nitrógeno del nitrato como fuente de oxígeno y lo convierten en nitrógeno de aire. El nitrógeno de aire no está a disposición de las algas y las plantas acuáticas.

3.4 Sistema de control Easy Garden (EGC)

Este producto puede comunicarse con el Easy Garden Control-System (EGC). EGC ofrece confortables posibilidades de control en el jardín y el estanque a través del teléfono inteligente o la tableta y garantiza un alto confort y seguridad. Consulte las informaciones sobre el EGC y las posibilidades en www.oase-livingwater.com/na/egc.

4 Emplazamiento y conexión



ADVERTENCIA

La tensión eléctrica puede causar graves lesiones o la muerte.

- ▶ Emplace el equipo protegido contra inundación a una distancia mínima de 6.6 ft (2 m) del agua.
-



CUIDADO

Peligro de lesión por piezas afiladas.

- ▶ Manipule con cuidado durante todos los trabajos en el recipiente del filtro para evitar lesiones por elementos afilados.
-



INDICACIÓN

En caso que la instalación planificada diverja considerablemente de las recomendaciones contenidas en esta instrucción:

- ▶ Encargue a su comerciante especializado la comprobación de todas las especificaciones técnicas. Esto es imprescindible para el funcionamiento correcto.
-

4.1 Transporte del recipiente



ADVERTENCIA

Si el equipo se transporta son posibles lesiones de la columna vertebral o aplastamientos de extremidades debido al alto peso del equipo. El equipo pesa más de 55 lb (25 kg). (→ Datos técnicos)

- ▶ Cargue el recipiente del filtro con 4 personas como mínimo para descargar la columna vertebral.
 - ▶ Proteja las extremidades contra aplastamientos.
 - ▶ No transporte el equipo cuando esté lleno.
-

D

El recipiente de filtro tiene cuatro tiradores para cargarlo. No están permitidas otras ayudas de carga o transporte (p. ej. transporte con una grúa).

¿Preguntas, problemas, partes faltantes?

Before returning to your retailer, call us at 1-866-627-3435, 8 a.m.-6 p.m., EST, Monday-Friday, or email

Antes de regresar con su vendedor, llame al 1-866-627-3435 de 8 am a 6 pm, hora del este, de lunes a viernes, o envíenos un correo electrónico a customercare@oase-livingwater.com. O visite nuestra página web www.oase-livingwater.com

4.2 Emplazamiento del recipiente del filtro



CONSEJO

El sistema de filtro marcha durante el día y la noche y genera ruidos de enjuague durante los procedimientos de limpieza automáticos.

- ▶ Proteja su entorno y a sus vecinos contra la contaminación acústica y cumpla los requisitos legales de protección contra ruidos.
- ▶ Remodele el sistema de filtro para que la carcasa absorba de forma efectiva los ruidos.
- ▶ Emplace el sistema de filtro en un lugar donde se evite la contaminación acústica.

Haga un plano para emplazar el sistema de filtrado. Con una planificación pensada y la consideración de las condiciones del entorno se logran óptimas condiciones de servicio.

Condiciones básicas que se deben cumplir:

- ▶ El módulo de filtro tiene un alto peso en estado lleno. Elija una base apropiada (como mínimo una placa base resistente, mejor una fundación de hormigón) para evitar un hundimiento.
- ▶ Alinee la placa base de forma horizontal.
 - El sistema de filtrado se tiene que emplazar de forma horizontal (divergencia máxima ± 0.2 in (± 5 mm)).
 - Sugerencia: Emplee placas de hormigón usuales con un tamaño de aprox. 19.7×19.7 in (500×500 mm). Se necesitan cinco placas (una placa de base para cada esquina más 1 placa para el centro).
- ▶ Prevea suficiente espacio de movimiento para realizar los trabajos de limpieza y mantenimiento.
- ▶ Guíe el agua sucia al alcantarillado o a la tierra a una distancia del estanque que evite el refluo al estanque.
 - Si la suciedad gruesa y el agua sucia se guían a una tubería conjunta emplee como mínimo tuberías de $\varnothing 4$ in (DN 110).
- ▶ Posicione la entrada en el estanque (p. ej. a través de un riachuelo o una cascada) no más alta que la salida del sistema de filtrado.



CONSEJO

Un arroyo o una cascada se apropian de forma óptima para retornar el agua al estanque. De esta forma aumenta el contenido de oxígeno del agua de estanque filtrada antes de que refluya al estanque.

4.3 Conexión del filtro de tambor

4.3.1 Indicaciones sobre las tuberías

- ▶ Emplee tuberías apropiadas. Para la conexión de las entradas y salidas se apropian mejor acoplamientos flexibles que elementos de unión de PVC.
- ▶ No emplee secciones de tubo rectangulares. Los codos más eficientes tienen un ángulo máximo de 45°.
- ▶ Pegue los tubos de plástico para garantizar una unión duradera y segura o emplee uniones de manguito con cierre de seguridad contra extracción.
- ▶ El agua estancada no puede purgar en caso de fuertes heladas y provoca que las tuberías revienten. Tienda por esta razón las tuberías y mangueras con una inclinación de 6 in/10 ft (50 mm/m) para que se puedan vaciar.

4.3.2 Conexión de la entrada



ADVERTENCIA

El recipiente es de plástico reforzado con fibra de vidrio. Durante el taladrado o lijado se desprenden partículas de fibra de vidrio que son dañinas para la salud.

- ▶ Siempre use una máscara respiratoria durante el taladrado o lijado.

El sistema de filtrado tiene una entrada de \varnothing 2 in (\varnothing 50 mm) para la bomba de filtro. Si fuera necesario, se puede montar mediante un juego de conexión (18798) una segunda entrada para otra bomba de filtro. El caudal del sistema de filtrado no cambia.

- ▶ En la pared del recipiente hay marcas para el paso de la segunda entrada. El paso se tiene que recortar.
- ▶ Deje cerrada la entrada que no se usa.
- ▶ Se puede conectar adicionalmente un clarificador UVC. (→ Montaje del equipo clarificador UVC)

Proceda de la forma siguiente:

E

1. Desenrosque la tapa de rosca con junta plana del paso.
2. Enrosque la tuerca de racor con boquilla de manguera \varnothing 2 in (\varnothing 50 mm) y junta plana en el paso. Apriete la tuerca de racor a mano.
3. Desplace la manguera \varnothing 2 in (\varnothing 50 mm) de la bomba de filtro en la boquilla de manguera y asegúrela con la abrazadera de manguera.

¿Preguntas, problemas, partes faltantes?

Before returning to your retailer, call us at 1-866-627-3435, 8 a.m.-6 p.m., EST, Monday-Friday, or email

Antes de regresar con su vendedor, llame al 1-866-627-3435 de 8 am a 6 pm, hora del este, de lunes a viernes, o envíenos un correo electrónico a customercare@oase-livingwater.com. O visite nuestra página web www.oase-livingwater.com

4.3.3 Montaje del equipo clarificador UVC

El clarificador UVC Bitron se monta en el recipiente del filtro. El caudal del sistema de filtrado no cambia.

- ▶ Para acceder a los tapones de obturación se tiene que desmontar un elemento de criba. (→ Desmontaje/ montaje del elemento de criba)
- ▶ Para el funcionamiento con dos bombas de filtro se conecta una bomba de filtro en el clarificador UVC y la otra en la entrada. (→ Conexión de la entrada)



CONSEJO

En la conexión para la bomba de filtro está montada una válvula de retención que evita un retorno del agua. Si se conecta una bomba en el Bitron y otra en la conexión para la bomba de filtro, se puede conectar/ desconectar la bomba en la conexión para la bomba de filtro sin problema si fuera necesario.

Proceda de la forma siguiente:

F

1. Suelte los tornillos con un desatornillador y quite los tapones.
2. Guíe las tubuladuras de salida del Bitron con las juntas planas por los agujeros en la pared del recipiente.
3. Atornille los adaptadores en las tubuladuras de salida y apriételos a mano.
4. Atornille los codos de entrada de 30° con las tuercas racor en los adaptadores y apriételos a mano.
 - Alinee los codos de entrada hacia abajo.
 - Codos de entrada correctamente alineados evitan un rebose no intencional (vaciado del estanque) y reducen el ruido.
5. Conecte el Bitron en la bomba de filtro conforme a las instrucciones de uso.

4.3.4 Conexión de la salida de suciedad gruesa

G

La suciedad gruesa acumulada en el canal de suciedad sale a través de la salida de suciedad gruesa Ø 4 in (DN 110) (salida superior en el recipiente en el lado de entrada).

- ▶ Un acoplamiento flexible se apropia mejor para la conexión fácil de la salida que un elemento de unión de PVC.
- ▶ Conecte una tubería apropiada Ø 4 in (DN 110) y guíe el agua sucia al alcantarillado.

4.3.5 Conexión de la salida de suciedad

El agua en el recipiente se puede purgar a través de la salida de suciedad con válvula de cierre Ø 3 in (DN 75) (abajo en el recipiente) en caso de necesidad (limpieza, reparación, conservación durante el invierno).

- ▶ Conecte una tubería apropiada Ø 3 in (DN 75) y guíe el agua sucia al alcantarillado.

Proceda de la forma siguiente:

H

1. Quite las tuercas de sombrerete y desplace la salida de suciedad en la conexión.
2. Coloque y apriete las tuercas de sombrerete y apriete la abrazadera de manguera.
3. Conecte la tubería.



CONSEJO

Una la tubería para la salida de suciedad Ø 3 in (DN 75) con la tubería para la salida de suciedad gruesa Ø 4 in (DN 110) y guíe el agua sucia a través de un tubo Ø 4 in (DN 110) al alcantarillado. De esta forma se logra un enjuague a presión cómodo de la tubería de agua sucia.

4.4 Conexión del control con caja EGC

4.4.1 Conexión del control

El mazo de cables incluye las líneas de conexión de la caja de señales, del motor del tambor y de la bomba de enjuague. Estas líneas de conexión se tienen que conectar, la caja EGC ya está conectada.

I

Proceda de la forma siguiente:

- ▶ Una las tres clavijas de enchufe en el mazo de cables con los conectores en el control y la caja del condensador. Apriete las tuercas de unión a mano.
 - Los polos de las conexiones están protegidos contra conexión equivocada.
 - Inunde primero el recipiente y conecte después el control a la tensión de alimentación.

4.4.2 Conexión de la caja EGC

La integración del sistema de filtro en la red EGC es opcional y no resulta absolutamente necesaria para la operación. (→ Sistema de control Easy Garden (EGC))

Para la conexión de la caja EGC se necesita el Connection Cable EGC.

La fijación correcta de las clavijas de enchufe es importante para garantizar una conexión segura y una red EGC sin fallos.

Proceda de la forma siguiente:

I, L, M

1. Quite la tapa protectora en el equipo.
2. Enchufe el conector y asegúrelo con los dos tornillos (máx. 18 lb-in (2.0 Nm)).
 - La junta de goma tiene que estar limpia y encajar perfectamente.
 - Sustituir la junta de goma dañada.
3. Quite la tapa de protección en EGC-OUT en el último equipo en la red EGC, enchufe la resistencia terminal EGC y asegúrela con los dos tornillos (máx. 18 lb-in (2.0 Nm)).
 - En el último equipo en la red EGC se tiene que conectar en EGC-OUT la resistencia terminal EGC en lugar del cable de conexión EGC para terminar correctamente la red EGC.
 - El suministro de InScenio EGC Controller incluye una resistencia terminal EGC.

4.4.3 Conexión de otro equipo compatible con EGC

En la caja EGC se puede conectar otro equipo compatible con EGC.

- ▶ Garantice la conexión correcta. (→ Conexión de la caja EGC)

Proceda de la forma siguiente:

L, M

1. En la caja EGC, quite la tapa de protección en EGC-OUT e inserte la clavija de enchufe del Connection Cable EGC.
2. Quite en el otro equipo la tapa de protección en EGC-IN e inserte la otra clavija de enchufe del Connection Cable EGC.
3. Quite en el otro equipo la tapa de protección en EGC-OUT, enchufe la resistencia terminal y asegúrela con los dos tornillos (máx. 18 lb-in (2.0 Nm)) o conecte otro equipo con capacidad EGC.

¿Preguntas, problemas, partes faltantes?

Before returning to your retailer, call us at 1-866-627-3435, 8 a.m.-6 p.m., EST, Monday-Friday, or email

Antes de regresar con su vendedor, llame al 1-866-627-3435 de 8 am a 6 pm, hora del este, de lunes a viernes, o envíenos un correo electrónico a customercare@oase-livingwater.com. O visite nuestra página web www.oase-livingwater.com

4.5 Emplazamiento del control con caja EGC

- ▶ Emplace el control a una distancia mínima de 6.6 ft (2 m) al estanque.
- ▶ Proteja el control contra la radiación solar directa.
- ▶ El control está protegido contra salpicaduras de agua y tolera lluvia.

Proceda de la forma siguiente:

J

1. Cuelgue el control y la caja EGC en la pared del recipiente o mediante escarpas roscadas en otro lugar.
2. Ponga las dos tapas en las tuercas de sombrerete si la caja EGC se cuelga en la pared del recipiente.
 - La caja EGC se fija con las tapas.

4.6 Montaje de la caja del condensador

K

La caja del condensador está fijada en la pared del recipiente. Si el control se cuelga en la pared del recipiente opuesta, también se tiene que montar allí la caja del condensador.

4.7 Conexión del aireador de estanque

- ▶ Conecte la barra aireadora en el recipiente a una bomba de aireación externa. OASE recomienda:

Cantidad de bioelementos Hel-X	Volumen de aire mínimo	Recomendación de OASE
15,9 gal (60 l)	317 gal/h (1200 l/h) en 1,0 metro de columna de agua	AquaOxy 450
21/22,5 gal (80/85 l)	528 gal/h (2000 l/h) en 1.2 metro de columna de agua	-

Proceda de la forma siguiente:

N

1. Una la manguera de la bomba de aireación externa con la conexión de aire y cuelgue la conexión de aire en el recipiente.
 - Emplee para las mangueras de aire más delgadas de $\varnothing \frac{1}{8}$ in ($\varnothing 4$ mm) el adaptador de $\varnothing \frac{1}{8}/\frac{3}{8}$ in ($\varnothing 4/9$ mm) y asegure las conexiones con abrazaderas para cable si fuera necesario.



CONSEJO

Revuelva los bioelementos Hel-X sólo con una cantidad de aire de aprox. 264 gph (1000 l/h) durante la fase inicial. Turbulencias muy fuertes retardan la colonización primaria de los microorganismos.



CONSEJO

Si se detiene el movimiento de los bioelementos Hel-X en la biocámara desplace un poco la piedra difusora para optimizar la circulación.

5 Puesta en marcha

- ▶ Limpie minuciosamente el estanque antes de la primera puesta en marcha para que el sistema de filtrado no sufra una sobrecarga debido a mucha suciedad en el agua. OASE recomienda para la limpieza el aspirador de lodo de estanque PondoVac.
 - La limpieza no es necesaria si el estanque es nuevo.
- ▶ El sistema de filtrado se tiene que operar las 24 horas del día durante la temporada de estanque



ADVERTENCIA

Son posibles la muerte o lesiones graves por tensión eléctrica peligrosa.

- ▶ Desconecte la tensión de alimentación de todos los equipos que se encuentran en el agua antes de tocar el agua.
- ▶ Antes de realizar trabajos en el equipo desconecte la tensión de alimentación.



INDICACIÓN

Los amortiguadores de luz o los temporizadores destruyen el equipo.

- ▶ Opere el equipo únicamente en una conexión de corriente sin amortiguador de luz.
- ▶ No emplee temporizadores.



INDICACIÓN

La bomba de enjuague nunca debe marchar en seco. Posibles consecuencias: La bomba de enjuague se destruye.

- ▶ Controle regularmente el nivel de agua. La bomba de enjuague tiene que estar bajo agua durante el funcionamiento.
- ▶ Conecte el control sólo cuando el recipiente esté inundado.



CONSEJO

Durante la puesta en marcha se muestra en la pantalla el control *Er-88*

- ▶ hasta que el nivel de agua definitivo se haya ajustado en el recipiente del filtro,
- ▶ si el registro del estado de la bomba no está correctamente ajustado.

Si el sistema de filtro se halla en correcto estado de funcionamiento, el mensaje del sistema se restablece automáticamente.

¿Preguntas, problemas, partes faltantes?

Before returning to your retailer, call us at 1-866-627-3435, 8 a.m.-6 p.m., EST, Monday-Friday, or email

Antes de regresar con su vendedor, llame al 1-866-627-3435 de 8 am a 6 pm, hora del este, de lunes a viernes, o envíenos un correo electrónico a customercare@oase-livingwater.com. O visite nuestra página web www.oase-livingwater.com

5.1 Secuencia de la puesta en marcha

Proceda de la forma siguiente:

C

1. Cierre la válvula de cierre para la salida de suciedad abajo en el recipiente.
2. Controle si el sistema de filtrado (tuberías y mangueras) está completo.
3. Quite la tapa del recipiente.
 - Si está quitada la tapa del recipiente, el tambor de filtro no marcha por razones de seguridad y en la pantalla del control se indica *E-11*.

Cámara de filtro Moving Bed

En la cámara de filtro Moving Bed hay tres sacos de 5,3 gal (20 l) de bioelementos Hel-X 13 (15,9 gal (60 l)). Opcionalmente se pueden emplear también 21,1 gal (80 l) (kit de complemento, n.º de pedido: 43383).

4. Llene los bioelementos Hel-X de los sacos en la cámara de filtro Moving Bed.
 - El movimiento libre de los bioelementos Hel-X en el recipiente tiene que ser posible.
 - La colonización completa de los bioelementos Hel-X puede durar algunas semanas. Los bioelementos Hel-X no colonizados tienden a flotar.



CONSEJO

Si se emplea el kit de complemento añada paso a paso la cantidad. Recomendación: como máx. 1.3 gal (5 l) por semana.

Filtro de tambor

5. Gire el tambor de filtro manualmente una vuelta completa para garantizar la marcha libre.
6. Llene el filtro con agua hasta que la bomba de enjuague esté por debajo del agua (protección contra marcha en seco bomba de enjuague).
7. Coloque la tapa del recipiente.

Conexión del control y otros equipos, revisión de las tuberías

8. Conecte el control y realice los ajustes si fuera necesario. (→ Operación)
9. Conecte la bomba de filtro y el equipo clarificador UVC si fuera necesario.
 - El agua tiene que retornar al estanque a través del retorno.
10. Compruebe la estanqueidad de todas las tuberías, mangueras y sus conexiones.
 - Las juntas de expansión pueden tener fugas al comienzo porque se obturan completamente cuando contactan con el agua.
11. Ajuste el registro de nivel si fuera necesario. (→ Ajuste del registro de nivel)



CONSEJO

Los filtros nuevos necesitan aprox. 3 a 4 semanas hasta que la biología en el equipo se haya formado completamente. Durante este tiempo, o si la temperatura del agua es <50 °F (<10 °C), el filtro se puede rebosar. En este caso no es necesaria una limpieza del filtro.

- ▶ Si se usan activadores de filtrado, medicamentos o productos de limpieza de estanques deje desconectado el equipo preclarificador UVC como mínimo 36 horas para no mermar el efecto de los productos.

5.1.1 Ajuste del registro de nivel

Si el nivel de agua sube durante el funcionamiento, esto significa que el sistema está sucio. El registro de nivel avisa al control que existe una posible suciedad y el procedimiento de limpieza comienza.

El nivel de agua en el sistema de filtrado no depende del nivel de agua del estanque. El nivel del agua en el sistema de filtrado depende de la potencia de circulación. Por esta razón puede ser necesario un ajuste del registro de nivel.

El registro de nivel se puede montar en dos posiciones.

- ▶ Posición 1: Apropriada para potencias de circulación mayores de 3963 gph (15000 l/h) (estado de suministro).
- ▶ Posición 2: Apropriada para potencias de circulación menores de 3963 gph (15000 l/h) y menos intervalos de limpieza automática.

Proceda de la forma siguiente:

O

1. Suelte las dos tuercas de seguridad. Quite las tuercas y los tornillos de cabeza con hexágono interior.
2. Desplace el registro de nivel en correspondencia a la rejilla a la posición deseada y fíjelo con los tornillos de cabeza con hexágono interior y las tuercas de seguridad. Apriete las dos tuercas.

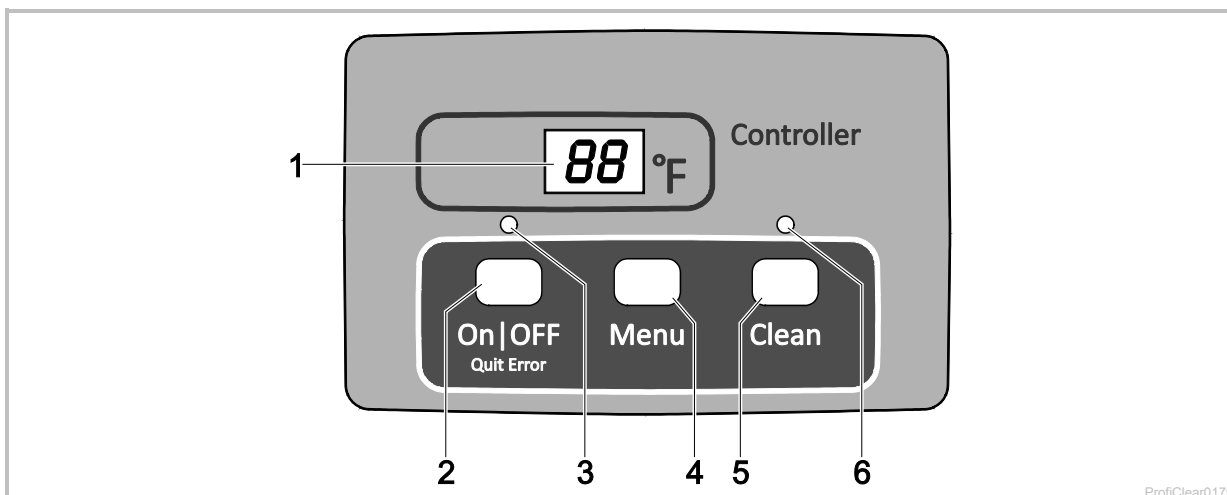
¿Preguntas, problemas, partes faltantes?

Before returning to your retailer, call us at 1-866-627-3435, 8 a.m.-6 p.m., EST, Monday-Friday, or email

Antes de regresar con su vendedor, llame al 1-866-627-3435 de 8 am a 6 pm, hora del este, de lunes a viernes, o envíenos un correo electrónico a customercare@oase-livingwater.com. O visite nuestra página web www.oase-livingwater.com

6 Operación

6.1 Vista general del control



- 1 Pantalla
 - Indicación del estado operativo
 - Indicación de los menús y valores para ajustar el filtro de tambor
 - Indicador del estado de la bomba
 - Como estándar se indica la temperatura actual del agua [°F]
- 2 Tecla On|Off, Quit Error
 - Conectar o desconectar el filtro de tambor
 - Reponer los mensajes de error
- 3 LED, 2 colores
 - LED se ilumina rojo: Control desconectado (*OFF*)
 - El LED se ilumina verde: Control conectado (*ON*)
- 4 Tecla Menu

Selección de los menús siguientes y cambio de los valores:

 - Tiempo de limpieza "Cleaning" (*CL*)
 - Tiempo de limpieza prolongado "Extra Cleaning" (*EC*)
 - Limpieza en función del tiempo "Intervalo" (*ln*)
 - Registro del estado de la bomba (*E1*)
- 5 Tecla Clean
 - Arrancar procedimiento de limpieza manual, interrumpir procedimiento de limpieza activo
 - El LED (6) se ilumina cuando está activo el procedimiento de limpieza.
- 6 LED azul
 - LED iluminado: Procedimiento de limpieza activo


6.2 Conexión / desconexión

Proceda de la forma siguiente	Información
<p>Conexión:</p> <p>Mantener pulsada 3 s.</p> <ul style="list-style-type: none"> • El LED (3) se ilumina verde. • La pantalla indica aprox. 5 s <i>ON</i>. 	<ul style="list-style-type: none"> • La pantalla indica estándar la temperatura del agua. • El control se mantiene en estado conectado después de una interrupción de la tensión.
<p>Desconexión:</p> <p>Mantener pulsada 3 s.</p> <ul style="list-style-type: none"> • El LED (3) se ilumina rojo. • La pantalla indica <i>OFF</i>. 	<ul style="list-style-type: none"> • El control desconecta todas las funciones. • El control se mantiene en estado desconectado después de una interrupción de la tensión.

6.3 Modos de operación

Descripción	Información
Funcionamiento automático: • Régimen de funcionamiento para el funcionamiento regular.	<ul style="list-style-type: none"> • La pantalla indica como estándar la temperatura del agua. • Un procedimiento de limpieza se pone en marcha automáticamente cuando el registro de nivel avisa un nivel de agua muy divergente. • El nivel de agua sobrepasa un determinado nivel de agua. • Después de 20 procedimientos de limpieza automáticos se ejecuta un procedimiento de limpieza con un tiempo de limpieza prolongado.
Funcionamiento en función del tiempo	<ul style="list-style-type: none"> • Adicionalmente a la limpieza automática (en dependencia del nivel de agua en el filtro de tambor) se puede ejecutar una limpieza en función del tiempo. (→ ϵ_n: Limpieza en función del tiempo "Intervalo") • La duración del procedimiento de limpieza se corresponde con el tiempo ajustado en el menú Tiempo de limpieza "Cleaning". (→ ϵ_L: Tiempo de limpieza "Cleaning")

6.4 Limpieza manual

Proceda de la forma siguiente	Información
Pulsar  3 s • El LED (6) se ilumina. • La pantalla indica ϵ_L . • Interrumpir el procedimiento: Pulsar de nuevo la tecla	<ul style="list-style-type: none"> • El motor del tambor se bloquea por razones de seguridad si la tapa del filtro está desmontada. La bomba de enjuague se puede arrancar de forma manual para comprobar el funcionamiento de las boquillas. • Cada procedimiento de limpieza activo (automático, en función del tiempo o manual) se puede parar pulsando la tecla.

6.5 Ajustes en los menús












CONSEJO

Los ajustes en los menús sólo son posibles cuando está conectado el control.

6.5.1 ϵ_L : Tiempo de limpieza "Cleaning"

La duración del procedimiento de limpieza se modifica ajustando el tiempo de limpieza. Prolongue el tiempo de limpieza si la suciedad no sale sin problemas. Esto puede ser p. ej. necesario si las tuberías de salida montadas son muy largas o tienen muchos codos o si el medio transportado es muy sucio y pegajoso (p. ej. en los períodos de freza).

Tenga en cuenta que un tiempo de limpieza prolongado significa un mayor consumo de agua. Generalmente es suficiente un ajuste básico de 10 s (se corresponde con aprox. un $\frac{7}{8}$ de giro del tambor).

Proceda de la forma siguiente	Información
1. Pulsar  varias veces hasta que en la pantalla se indique ϵ_L .	<ul style="list-style-type: none"> • Interrumpir y abandonar el menú: Espere 10 s o  o pulse .
2. Mantenga pulsada  5 s hasta que se indique el tiempo en la pantalla.	<ul style="list-style-type: none"> • Interrumpir y abandonar el menú: Espere 5 s o  o pulse .
3. Pulse  varias veces para cambiar el valor. • Modificación rápida: Mantener pulsada la tecla	<ul style="list-style-type: none"> • Gama ajustable: 10 a 30 s • Amplitud de paso: 1 s • Proceso de conteo sólo hacia arriba. La indicación salta de nuevo a 10 después del valor 30. • Almacenar el valor ajustado: Espere 5 s hasta el abandono automático del menú. • Interrumpir sin almacenar y abandonar el menú: Pulse  o .

¿Preguntas, problemas, partes faltantes?

Before returning to your retailer, call us at 1-866-627-3435, 8 a.m.-6 p.m., EST, Monday-Friday, or email

Antes de regresar con su vendedor, llame al 1-866-627-3435 de 8 am a 6 pm, hora del este, de lunes a viernes, o envíenos un correo electrónico a customercare@oase-livingwater.com. O visite nuestra página web www.oase-livingwater.com

6.5.2 **EC: Tiempo de limpieza prolongado "Extra Cleaning"**

El equipo dispone de un tiempo de limpieza prolongado para evitar sedimentaciones más gruesas en el canal de suciedad o en el sistema de tuberías. El tiempo de limpieza prolongado comienza después de una cantidad de ciclos de limpieza que se puede fijar. (→ E_n : Limpieza en función del tiempo "Intervalo")

El tiempo de limpieza se puede prolongar y enjuagar de esta forma la tubería con agua adicional. En el ajuste básico el tiempo de limpieza prolongado es de 20 s.

Proceda de la forma siguiente		Información
1.	Pulsar Menu varias veces hasta que en la pantalla se indique EC .	Interrumpir y abandonar el menú: Espere 10 s o On/Off o pulse Clean .
2.	Mantener pulsada Menu 5 s hasta que se indique el tiempo de limpieza prolongado en la pantalla.	Interrumpir y abandonar el menú: Espere 5 s o On/Off o pulse Clean .
3.	Pulse Menu varias veces para cambiar el valor. <ul style="list-style-type: none"> • Modificación rápida: Mantenga pulsada la tecla. 	<ul style="list-style-type: none"> • Gama ajustable: 10 s – 9 min. – Un valor en minutos se visualiza en la pantalla con una raya (p. ej. δ). • Amplitud de paso en 10 a 59 s: 1 s • Amplitud de paso en 1 a 9 min.: 1 min. • Proceso de conteo sólo hacia arriba. La visualización salta después del valor 9 de nuevo a 10. • Almacenar el valor ajustado: Espere 5 s hasta el abandono automático del menú. • Interrumpir sin almacenar y abandonar el menú: Pulse On/Off o Clean.

6.5.3 **E_n : Limpieza en función del tiempo "Intervalo"**

Además de la limpieza automática el equipo puede ejecutar adicionalmente una limpieza en función del tiempo. Esta función es especialmente conveniente para los estanques con peces. Esto garantiza también en caso de poca suciedad que los excrementos producidos se extraigan del circuito de agua antes de que se desprendan las sustancias nutritivas.

Adapte el intervalo de tiempo a las necesidades. Normalmente el módulo del filtro de tambor está ajustado de forma óptima con un intervalo de tiempo de 20 minutos (ajuste básico). La función está desactivada si el intervalo de tiempo es de 0 minutos.

La limpieza en función del tiempo no tiene ninguna influencia en la limpieza automática que arranca a un nivel muy bajo del agua. Después de cada limpieza automática el intervalo de tiempo se repone y el tiempo transcurre de nuevo.










Proceda de la forma siguiente		Información
1.	Pulse Menu varias veces hasta que en la pantalla se indique I_n .	• Interrumpir y abandonar el menú: Espere 10 s o On/Off o pulse Clean .
2.	Mantenga pulsada Menu 5 s hasta que se indique el tiempo en la pantalla.	• Interrumpir y abandonar el menú: Espere 5 s o On/Off o pulse Clean .
3.	Pulse Menu varias veces para cambiar el valor. <ul style="list-style-type: none"> • Modificación rápida: Mantenga pulsada la tecla. 	<ul style="list-style-type: none"> • Gama ajustable: 0, 3 a 60 minutos • 0 minutos: Ninguna limpieza en función del tiempo • Amplitud de paso: 1 minuto • Proceso de conteo sólo hacia arriba. La indicación salta de nuevo a 0 después del valor 60. • Almacenar el valor ajustado: Espere 5 s hasta el abandono automático del menú. • Interrumpir sin almacenar y abandonar el menú: Pulse On/Off o Clean.

6.5.4 E7: Registro del estado de la bomba

(Cuando el sistema de bombeado está desactivado)



El registro del estado de la bomba señala a través del mensaje del sistema E-88, si la bomba trabaja correctamente. El registro del estado está desactivado en el ajuste básico.

Si se visualiza el mensaje del sistema ER77 o ER88, se tiene que modificar de forma manual el registro del estado.

Proceda de la forma siguiente	Información
1. Pulsar  varias veces hasta que en la pantalla se indique E7.	• Interrumpir y abandonar el menú: Espere 10 s o  o pulse  .
2. Mantener pulsada  5 s hasta que se indique el valor 0 o 1 en la pantalla.	• Interrumpir y abandonar el menú: Espere 5 s o  o pulse  .
3. Pulsar  para cambiar el valor.	Gama ajustable: 0 o 1 • 0: Registro del estado de la bomba desactivado. • 1: Registro del estado de la bomba activado. Importante: El valor 0 tiene que estar ajustado (registro del estado desactivado). • Interrumpir sin almacenar y abandonar el menú: Pulse  o  .

6.6 Lectura de la cantidad de procedimientos de limpieza

6.6.1 Procedimientos de limpieza en 24 horas



Proceda de la forma siguiente	Información
Mantener pulsada  y  5 s.	<p>Se almacena la suma de los procedimientos de limpieza automáticos y en función del tiempo. El valor de 4 lugares se indica sucesivamente mediante dos cifras en la pantalla.</p> <p>Ejemplo: <i>01-17</i>: Se corresponde con 117 limpiezas El número se repite 5 veces después de una pausa más larga para poder leerlo mejor: <i>01-17--01-17--01-17--01-17--01-17</i></p> <p>Indicación: El contador se repone a 0 cuando se desconecta la tensión de alimentación.</p> <p>Indicación: Debido a la autocomprobación del sistema de filtrado se pueden indicar valores muy diferentes. La autocomprobación supervisa la limpieza automática. La comprobación se realiza de forma continua en 2 ciclos de 24 horas. La comprobación sólo está activa a partir de una temperatura del agua >53,6 °F.</p> <ul style="list-style-type: none"> • Primer ciclo de 24 horas <ul style="list-style-type: none"> – El ciclo se repite después del transcurso si se reconoce como mínimo un procedimiento de limpieza automático. – Si no se reconoce ningún procedimiento de limpieza automático comienza el segundo ciclo de 24 horas después del transcurso del ciclo. • Segundo ciclo de 24 horas <ul style="list-style-type: none"> – La limpieza en función del tiempo está desactivada. Con esto se reduce la cantidad de los procedimientos de limpieza. – Si se reconoce como mínimo un procedimiento de limpieza automático arranca de nuevo el primer ciclo de 24 horas después del transcurso del ciclo. – Si no se reconoce ningún procedimiento de limpieza automático se activa el mensaje del sistema E-22 después del transcurso del ciclo. La limpieza en función del tiempo arranca de nuevo. Si se ejecuta ahora un procedimiento de limpieza automático arranca de nuevo el primer ciclo de 24 horas. El mensaje del sistema E-22 se repone automáticamente.

¿Preguntas, problemas, partes faltantes?



Before returning to your retailer, call us at 1-866-627-3435, 8 a.m.-6 p.m., EST, Monday-Friday, or email

Antes de regresar con su vendedor, llame al 1-866-627-3435 de 8 am a 6 pm, hora del este, de lunes a viernes, o envíenos un correo electrónico a customercare@oase-livingwater.com. O visite nuestra página web www.oase-livingwater.com

6.6.2 Procedimientos de limpieza en total



Proceda de la forma siguiente	Info
Mantener pulsada  y  5 s.	<p>Se almacena la suma de los procedimientos de limpieza automáticos, manuales y en función del tiempo. El valor de 8 lugares se indica sucesivamente mediante dos cifras en la pantalla.</p> <p>Ejemplo: <i>00-00-12-44</i>: Corresponde a 1244 limpiezas Para una mejor legibilidad el número se repite 4 veces después de una pausa más larga: <i>00-00-12-44--00-00-12-44--00-00-12-44--00-00-12-44</i></p> <p>Nota: Si se desconecta la tensión de alimentación la cantidad de los procedimientos se redondea a cientos enteros y se almacena.</p>

6.7 Carga de los ajustes básicos

Proceda de la forma siguiente	Información
Mantener pulsada  y  10 s hasta que se indique <i>rE</i> en la pantalla.	<p>Se reescriben todos los valores ajustados de forma individual. Se ajustan los siguientes valores:</p> <ul style="list-style-type: none"> • Tiempo de limpieza <i>CL</i>: 10 s • Tiempo de limpieza prolongado <i>EC</i>: 20 s • Intervalo de la limpieza en función del tiempo <i>ln</i>: 20 minuto

6.8 Mensajes del sistema



El mensaje del sistema de 4 lugares se indica sucesivamente mediante dos cifras en la pantalla.

Mensaje del sistema		Funciones además disponibles	Causa probable	Acción correctora	Reponer el mensaje del sistema
Er11	Tapa del recipiente quitada	<ul style="list-style-type: none"> • Limpieza manual (sólo boquillas, tambor de filtro no gira) 	Tapa del recipiente quitada	Colocar la tapa en el recipiente	Automáticamente después de colocar la tapa del recipiente
			Tapa del recipiente colocada incorrectamente	Girar la tapa del recipiente de forma que el imán en la tapa del recipiente esté encima de la caja de señales	
			Caja de señales no conectada	Conectar la caja de señales en el control	
Er22	La temperatura del agua >53.6 °F (12 °C) Y el último procedimiento de limpieza automático se realizó hace más de 24 horas.	<ul style="list-style-type: none"> • Limpieza manual • Funcionamiento automático • Limpieza en función del tiempo 	Elementos de criba no herméticos	Comprobar los elementos de criba y sustituir si fuera necesario	<ul style="list-style-type: none"> • Pulsar la tecla  5 s • Automáticamente cuando conmuta el registro de nivel.
			Junta del tambor no hermética	Comprobar la junta del tambor	
			Registro de nivel bloqueado o defectuoso	Limpiar el registro de nivel hasta que el sistema mecánico marche con suavidad y sustituir si fuera necesario	
			Registro de nivel mal ajustado	Ajuste del registro de nivel	
Er33	20 limpiezas sucesivas	<ul style="list-style-type: none"> • Limpieza manual • Limpieza en función del tiempo 	El modo de prueba de 24 horas está activado y la limpieza en función del tiempo está desactivada.	Después del modo de prueba, el flotador activa automáticamente la limpieza en función del tiempo.	Pulsar la tecla  5 s
			Registro de nivel bloqueado o defectuoso	Limpiar el registro de nivel hasta que el sistema mecánico marche con suavidad y sustituir si fuera necesario	
			Elementos de criba muy sucios	Limpiar y descalcificar los elementos de criba (→ Desmontaje/ montaje del elemento de criba)	
			La bomba de enjuague no trabaja	<ul style="list-style-type: none"> • Limpiar el fondo del recipiente, limpiar la bomba de enjuague (→ Limpieza de la bomba de enjuague) • Comprobar la conexión de la bomba 	
			Boquilla de enjuague obstruida	Limpiar la boquilla de enjuague	
			El tambor de filtro no gira	<ul style="list-style-type: none"> • Comprobar la conexión del motor • Controlar el giro del tambor de filtro. Sugerencia: Marque el tambor de filtro y controle mediante las marcas, si el tambor gira.	
			Ajuste muy bajo del registro de nivel	Ajuste del registro de nivel	
			Nivel de agua en el sistema muy alto:	<ul style="list-style-type: none"> • Tubos de salida sucios • Orificio de salida muy pequeño • Muy alto caudal (potencia de la bomba muy alta) • Estanque muy sucio y bomba de filtro transporta demasiada suciedad • Mucha suciedad, el agua rebosa de los elementos de espuma filtrante 	

¿Preguntas, problemas, partes faltantes?

Before returning to your retailer, call us at 1-866-627-3435, 8 a.m.-6 p.m., EST, Monday-Friday, or email

Antes de regresar con su vendedor, llame al 1-866-627-3435 de 8 am a 6 pm, hora del este, de lunes a viernes, o envíenos un correo electrónico a customercare@oase-livingwater.com. O visite nuestra página web www.oase-livingwater.com

Mensaje del sistema		Funciones además disponibles	Causa probable	Acción correctora	Reponer el mensaje del sistema
Er-44	Motor bloqueado (El control ha tratado 3 veces de arrancar 5 veces el motor.)	Ninguna	El tambor de filtro gira con dificultad o está bloqueado	<ul style="list-style-type: none"> Limpiar el borde del tambor / la junta del tambor y engrasar el borde del tambor. Emplear sólo la grasa original de OASE (número de pedido 27872). Comprobar la suavidad de marcha de los rodillos Eliminar las partículas grandes de la corona dentada (p. ej. caracoles, piedras) 	Pulsar la tecla  5 s
			El labio de la junta del tambor se aplastó al montaje del tambor.	Desmontar el tambor y colocar correctamente la junta del tambor al remontaje.	
			El tambor se carga por un solo lado.	Alinear horizontalmente el recipiente.	
Er-55	Más de 960 procedimientos de limpieza en 48 horas	<ul style="list-style-type: none"> Limpieza manual Funcionamiento automático Limpieza en función del tiempo 	Demasiada suciedad por corto tiempo: <ul style="list-style-type: none"> Fase de entrada del sistema de filtrado (p. ej. durante la primera puesta en marcha) Peces están desovando 	<ul style="list-style-type: none"> Esperar hasta que disminuya la suciedad Este estado de funcionamiento no es típico. Evitar el régimen de funcionamiento continuo. 	<ul style="list-style-type: none"> Pulsar la tecla  5 s Automáticamente cuando disminuye la cantidad de los procedimientos de limpieza por debajo de 960.
			Estanque muy sucio	<ul style="list-style-type: none"> Limpiar el estanque Reducir el transporte de suciedad Emplazar la bomba de filtro en un lugar más elevado 	
			Elementos de criba muy sucios	Limpiar, descalcificar los elementos de criba (→ Sustitución del elemento de criba)	
			Poco efecto de limpieza porque la boquilla está sucia	<ul style="list-style-type: none"> Limpiar la boquilla 	
			Nivel de agua en el sistema muy alto: <ul style="list-style-type: none"> Tubos de salida sucios Orificio de salida muy pequeño Se sobrepasó el caudal máximo. Mucha suciedad, el agua rebosa de los elementos de espuma filtrante 	<ul style="list-style-type: none"> Limpiar los tubos de salida Aumentar el orificio de salida Reducir el caudal Limpiar las esponjas filtrantes 	
Er-56	Elemento de conmutación para la bomba de enjuague en el control muy caliente	Ninguna	El control está expuesto a mucho calor (sol, temperatura del entorno)	Proteger el control contra calor	Automáticamente después de enfriarse
Er-88	La bomba de filtro no transporta agua o transporta muy poca agua.	<ul style="list-style-type: none"> Limpieza manual Funcionamiento automático Limpieza en función del tiempo 	Registro del estado de la bomba mal ajustado	Ajustar el registro del estado de la bomba (→ E7: Registro del estado de la bomba)	Automáticamente después de solucionar la causa
			La bomba de filtro está desconectada.	Conectar la bomba de filtro.	
			La unidad de rodadura de la bomba de filtro está bloqueada.	Limpieza de la bomba de filtro	

7 Eliminación de fallos

Fallo	Causa probable	Acción correctora
Ningún flujo de agua	La bomba de filtro no está conectada	Conecte la bomba de filtro, enchufe la clavija a la red
	Alimentación al sistema de filtrado o retorno al estanque obstruido	Limpie la alimentación y/o el retorno.
Flujo de agua insuficiente	Salida del fondo, tubería y/o manguera obstruidas	Limpie o sustituya si fuera necesario.
	Manguera doblada	Compruebe la manguera, sustitúyala si fuera necesario.
	Pérdidas excesivas en las tuberías	Reduzca la longitud de las tuberías al mínimo necesario
El agua no se aclara	Potencia de la bomba muy baja	Adapte la potencia de la bomba
	El agua está muy sucia.	<ul style="list-style-type: none"> • Elimine las algas y hojas del estanque • En caso de una alta carga cambie 30 % del agua para evitar daños en los peces.
	Las partículas de suciedad no llegan al módulo del filtro de tambor.	<ul style="list-style-type: none"> • Optimice la corriente del agua de forma que el skimmer y/o la bomba de filtro puedan aspirar las partículas de suciedad. • Alinee el skimmer y/o la bomba de filtro a la corriente del agua de forma que puedan aspirar las partículas de suciedad.
	Demasiados peces	Reduzca la cantidad de peces
	Elementos de criba obstruidos o dañados	Limpie o sustituya los elementos de criba
	La junta del tambor no está correctamente colocada	Compruebe el asiento de la junta del tambor
	La junta del tambor está dañada	Sustituya la junta del tambor
Ruidos extraños en el tambor	En el tambor de filtro se han acumulado partículas de suciedad mayores.	Quite el elemento de criba y elimine las partículas de suciedad del tambor de filtro
Canal de enjuague obstruido	Grandes partículas de suciedad, p. ej. algas filamentosas, cuelgan en el canal de suciedad	Quite el elemento de criba y limpie el canal de suciedad
El tambor de filtro está parcialmente sucio, no se limpia	Boquilla de enjuague obstruida	Limpie la boquilla de enjuague, sustitúyala si fuera necesario
El agua sale por el rebose de emergencia	Elementos de criba obstruidos	Limpie/ descalcifique los elementos de criba
	Muy alta potencia de la bomba	Reduzca la potencia de la bomba
	La tubería de la salida de suciedad está obstruida	Limpie la tubería
La limpieza en función del tiempo (intervalo) no arranca.	<p>El control comprueba la función del registro de nivel.</p> <ul style="list-style-type: none"> • La comprobación arranca de forma automática si se han ejecutado muy pocos procedimientos de limpieza automáticos. 	<ul style="list-style-type: none"> • Espere. La comprobación dura 24 horas como máximo. • La comprobación termina cuando conmuta el registro de nivel. Se ejecuta una limpieza automática. • Si el registro de nivel no se conecta dentro de 24 horas se indica E-22. Se activa la limpieza en función del tiempo. (→ Mensajes del sistema)
Ninguna indicación en el control	Cable no conectado	Compruebe la conexión del cable
	El control se desconectó debido a un calentamiento excesivo (interruptor de temperatura)	<p>Proteja el control contra el calor y déjelo enfriar</p> <ul style="list-style-type: none"> • El control se conecta de nuevo automáticamente después del enfriamiento • El mensaje de error E-55 ya advierte de un calentamiento excesivo del control.
	El fusible se activó por el bloqueo de la bomba de enjuague (muy alto consumo de corriente)	Limpie la bomba de enjuague (→ Limpieza de la bomba de enjuague) Sustituya el fusible (→ Datos técnicos)

¿Preguntas, problemas, partes faltantes?

Before returning to your retailer, call us at 1-866-627-3435, 8 a.m.-6 p.m., EST, Monday-Friday, or email

Antes de regresar con su vendedor, llame al 1-866-627-3435 de 8 am a 6 pm, hora del este, de lunes a viernes, o envíenos un correo electrónico a customercare@oase-livingwater.com. O visite nuestra página web www.oase-livingwater.com

Fallo	Causa probable	Acción correctora
Película de aceite en el módulo del filtro de tambor	De una bomba de enjuague nueva puede salir por corto tiempo un poco de aceite comestible no peligroso.	No son necesarias medidas
El agua está cargada con amonio/nitrito	Se emplean muy pocos bioelementos Hel-X	Emplee más bioelementos Hel-X si fuera necesario
	El equipo funciona desde hace poco tiempo	El pleno efecto limpiador biológico se alcanza después de algunas semanas.
Los bioelementos Hel-X se expulsan	Tubo de rejilla desplazado	Corrija el asiento del tubo de rejilla.
	Tubo de rejilla defectuoso	Sustituya el tubo de rejilla.
El movimiento de los bioelementos Hel-X disminuye	Barra aireadora obstruida	Sustituya la barra aireadora
	Bomba de aireación perturbada	Compruebe la bomba de aireación
Poco movimiento de los nuevos bioelementos Hel-X	Los bioelementos Hel-X todavía no están colonizados completamente	La colonización con bacterias requiere algunas semanas. Proceso natural. Espere.

8 Limpieza y mantenimiento



ADVERTENCIA

Son posibles la muerte o lesiones graves por tensión eléctrica peligrosa.

- ▶ Desconecte la tensión de alimentación de todos los equipos que se encuentran en el agua antes de tocar el agua.
 - ▶ Antes de realizar trabajos en el equipo desconecte la tensión de alimentación.
-



CUIDADO

Peligro de lesión por piezas afiladas.

- ▶ Manipule con cuidado durante todos los trabajos en el recipiente del filtro para evitar lesiones por elementos afilados.
-

8.1 Limpieza del equipo

- ▶ No emplee productos de limpieza o soluciones químicas agresivas, porque se puede dañar la caja o mermar el funcionamiento del equipo.
- ▶ Productos de limpieza recomendados en caso de calcificaciones persistentes:
 - Producto de limpieza para bombas PumpClean de OASE.
 - Productos de limpieza domésticos sin vinagre y cloro.
- ▶ Después de la limpieza enjuague minuciosamente todas las piezas con agua clara.

8.2 Trabajos regulares

El sistema de filtrado se limpia automáticamente. Ejecute regularmente los siguientes trabajos para que el sistema de filtrado siempre alcance un rendimiento de limpieza óptimo.

Controles regulares

- ▶ Compruebe en la pantalla del control si se indican mensajes de error. (→ Mensajes del sistema)
- ▶ Compruebe si el área delante de la pared de separación y el interior del tambor de filtro están muy sucios (p. ej. algas filamentosas). Desmonte para esto un elemento de criba. (→ Desmontaje/ montaje del elemento de criba)

Eliminación de las sedimentaciones de suciedad

La suciedad que el tambor de filtro no puede recoger baja al fondo y se tiene que eliminar.

- ▶ Abra la válvula de cierre para la salida de suciedad (abajo en el recipiente) una vez al mes por 10 segundos.
- ▶ Elimine las sedimentaciones delante del tambor de filtro.
- ▶ Elimine las algas filamentosas del canal de suciedad.
- ▶ Elimine las sedimentaciones en el registro de nivel.

8.3 Limpieza del sistema de filtrado completo

- ▶ Sólo en caso de un ensuciamiento extremo se tiene que poner el sistema de filtrado completo fuera de servicio para limpiarlo y darle mantenimiento.
- ▶ No emplee productos de limpieza químicos porque éstos destruyen las bacterias de filtro.

Proceda de la forma siguiente:

1. Desconecte todas las bombas de filtro.
2. Desconecte todos los otros equipos eléctricos del sistema de filtrado (p. ej. equipo clarificador UVC).
3. Abra la válvula de cierre para la salida de suciedad abajo en el recipiente y deseche el agua sucia de la forma prescrita.
4. Ejecute las medidas de limpieza.
 - Enjuague los bioelementos Hel-X en el recipiente con agua corriente.
5. Cierre la válvula de cierre.
6. Ponga el sistema de filtro de nuevo en marcha. (→ Puesta en marcha)

¿Preguntas, problemas, partes faltantes?

Before returning to your retailer, call us at 1-866-627-3435, 8 a.m.-6 p.m., EST, Monday-Friday, or email Antes de regresar con su vendedor, llame al 1-866-627-3435 de 8 am a 6 pm, hora del este, de lunes a viernes, o envíenos un correo electrónico a customercare@oase-livingwater.com. O visite nuestra página web www.oase-livingwater.com

8.4 Limpieza del equipo de enjuague

Proceda de la forma siguiente:

P

1. Quite la cubierta y arranque un procedimiento de limpieza manual para comprobar el funcionamiento correcto de las boquillas de enjuague. (→ (Limpieza manual)
2. Suelte la tuerca de unión en la boquilla obstruida, desmonte la boquilla y la junta del tubo de enjuague y limpie las piezas.
3. Desplace la tuerca de unión en la boquilla y atorníllela con la junta en el tubo de enjuague.
 - Alinee la boquilla de forma que la marca esté arriba.
 - Apriete la tuerca de unión a mano.
 - Coloque la cubierta.

8.5 Limpieza del elemento de criba

8.5.1 Desmontaje/ montaje del elemento de criba

Proceda de la forma siguiente:

Q

Desmontaje

1. Gire el tambor de filtro con la mano hasta que el elemento de criba se encuentre frente al motor del tambor. Suelte el enclavamiento (gírelo 180°).
2. Descienda el elemento de criba completamente en el tambor de filtro.
3. Saque el elemento de criba del tambor de filtro.

Montaje

4. Descienda el elemento de criba completamente en el tambor de filtro.
5. Gire el elemento de criba y desplace las dos charnelas en el soporte del tambor de filtro.
6. Tire el elemento de criba en la barra central hacia arriba.
7. Cierre el enclavamiento (gírelo 180°).

8.5.2 Descalcificación de los elementos de criba

Los mensajes de error *E_r33*, *E_r55* o un aumento excesivo de los procedimientos de limpieza (contador) indican una acumulación de cal en los elementos de criba. (→ Lectura de la cantidad de procedimientos de limpieza)

Oase recomienda ejecutar una descalcificación preventiva cada dos o tres meses si el agua contiene mucho cal.

Descalcificadores recomendados:

- ▶ Coloque los elementos de criba en esencia de vinagre (20 ... 25 % de ácido) hasta eliminar las sedimentaciones de cal.
- ▶ Rocíe los elementos de criba húmedos con polvo de ácido cítrico y deje actuar el polvo de ácido cítrico hasta eliminar las sedimentaciones de cal.
- ▶ Productos de limpieza recomendados en caso de calcificaciones persistentes:
 - Producto de limpieza para bombas PumpClean de OASE.
 - Productos de limpieza domésticos sin vinagre y cloro.

Proceda de la forma siguiente:

1. Desmonte el elemento de criba. (→ Desmontaje/ montaje del elemento de criba)
2. Descalcifique el elemento de criba
 - No quite la junta de goma del elemento de criba.
3. Cepille el elemento de criba con un cepillo suave bajo agua corriente y enjuáguelo.
4. Monte el elemento de criba.

8.6 Desmontaje/montaje del tambor de filtro

Quite un elemento de criba para poder ejecutar los trabajos en el tambor de filtro. (→ Desmontaje/ montaje del elemento de criba)

Desmontaje

Proceda de la forma siguiente:

R

1. Saque el equipo de enjuague de los clips de fijación y la pared de separación.
2. Suelte y quite los dos tornillos de hexágono interior en el motor del tambor, tire el motor del tambor del agujero en la pared de separación y sáquelo.
 - No deje colgar el motor del tambor en el cable de conexión.
3. Suelte la abrazadera de manguera para la fijación del canal de suciedad.
4. Quite el canal de suciedad de la tubuladura de la salida de suciedad y colóquelo en el tambor de filtro.
5. Abra el pasador de chaveta y sáquelo.
6. Saque el árbol del tambor.
7. Quite el tambor de filtro de la pared de separación y sáquelo del recipiente.
 - Trabaje con cuidado: Los clips de fijación en la pared del recipiente pueden dañar los elementos de criba.

Montaje

Proceda de la forma siguiente:

R, S

Compruebe antes del montaje del tambor de filtro que la junta del tambor esté intacta y correctamente colocada. Engrase la junta con la grasa suministrada. Sustituya la junta de tambor dañada.

1. Colocar una junta de tambor nueva: La ranura en la junta del tambor tiene que estar arriba.
 2. La pared de separación tiene que estar completamente en la ranura de la junta de tambor.
- Ejecute el montaje siguiente en secuencia contraria.

8.7 Limpieza de la bomba de enjuague



CONSEJO

Las suciedades en el equipo de enjuague y la bomba de enjuague se pueden eliminar frecuentemente limpiando el equipo de enjuague sin boquilla/ boquillas.

- Quite la(s) boquilla(s) para la limpieza, para eliminar las partículas de suciedad por enjuague.

Quite la tapa interior para ejecutar los trabajos en la bomba de enjuague.

Proceda de la forma siguiente:

T

1. Suelte la retención de la posición. Desenganche las dos correas de goma.
2. Eleve la bomba de enjuague, y saque el anillo de goma y la bolsa de filtro.
 - Limpie todas las piezas con agua clara.

8.8 Sustitución de la bomba de enjuague

Quite la tapa interior para ejecutar los trabajos en la bomba de enjuague.

Proceda de la forma siguiente:

U

1. Suelte la retención de la posición. Desenganche las dos correas de goma.
2. Suelte la abrazadera de manguera y quite la manguera.
3. Saque la bomba de enjuague y sustitúyala.
 - Suelte el cable de conexión de la bomba de enjuague del mazo de cables.
4. Monte la bomba de enjuague en secuencia contraria.

¿Preguntas, problemas, partes faltantes?

Before returning to your retailer, call us at 1-866-627-3435, 8 a.m.-6 p.m., EST, Monday-Friday, or email Antes de regresar con su vendedor, llame al 1-866-627-3435 de 8 am a 6 pm, hora del este, de lunes a viernes, o envíenos un correo electrónico a customercare@oase-livingwater.com. O visite nuestra página web www.oase-livingwater.com

8.9 Sustitución de la barra aireadora

Proceda de la forma siguiente:

V

1. Saque aprox. 2/3 de los bioelementos Hel-X y almacénelos en húmedo. Después de terminar la medida de mantenimiento ponga de nuevo los bioelementos Hel-X en el recipiente.
2. Saque la piedra difusora del soporte de fijación en el fondo del recipiente.
3. Quite la manguera de conexión de la piedra difusora y móntela en la piedra difusora nueva.
 - Fije la manguera de conexión con ataduras de cables.
4. Presione la piedra difusora en el soporte de fijación.

9 Almacenamiento / Conservación durante el invierno

El equipo está protegido contra heladas (p. ej. en un garaje o encapsulamiento).

El equipo se puede operar si se garantiza la temperatura mínima del agua de 39 °F (+4 °C).

- ▶ Ajuste el intervalo de la limpieza en función del tiempo a 20 minutos para evitar daños causados por las heladas en el equipo de enjuague.
- ▶ Emplace el control de forma protegida. La temperatura de servicio mínima del control es de 14 °F (-10 °C).

Las regiones del estanque más profundas tienen en invierno una temperatura del agua de unos 39 °F (+4 °C) y son vitales para los peces. Las medidas siguientes reducen el enfriamiento del agua durante la circulación por el sistema de filtrado:

- ▶ Posicione la bomba más cerca de la superficie del agua para que se bombee sólo agua más fría de las regiones del estanque más elevadas.
- ▶ Aísle las tuberías de retorno del sistema de filtrado en el estanque.
- ▶ El agua no debe retornar a través de un riachuelo en el estanque.

El equipo no está protegido contra heladas (p. ej. emplazamiento al aire libre).

El equipo se tiene que poner fuera de servicio si la temperatura del agua baja por debajo de 46 °F (+8 °C) o a más tardar cuando se esperen heladas.

- ▶ Vacíe el equipo en la medida posible, límpielo minuciosamente y compruebe si está dañado.
- ▶ Vacíe en la medida posible todas las mangueras, tuberías y conexiones.
- ▶ Mantenga la válvula de cierre abierta.
- ▶ Cubra el recipiente para que no pueda entrar el agua de lluvia.
- ▶ Proteja las tuberías y las válvulas de cierre en las que hay agua contra las heladas.

10 Piezas de desgaste

- ▶ Condensador de la bomba de enjuague
 - No abra la bomba de enjuague. Envíe la bomba de enjuague a OASE. Vd. recibirá de inmediato un recambio.
- ▶ Fusible
- ▶ Elementos de criba
- ▶ Junta del tambor
- ▶ Piedras de aireación y mangueras de aire

11 Desecho



INDICACIÓN

Está prohibido desechar este equipo en la basura doméstica.

- ▶ Inutilice el equipo cortando el cable y entréguelo al sistema de recogida previsto.

12 Datos técnicos

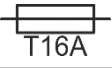





ProfiClear Premium Compact-L EGC USA			
Control	Tensión de referencia	V CA	120
	Frecuencia de red	Hz	60
	Consumo de energía en estado de reposo	W	5
	Consumo de energía durante la limpieza	W	1150
	Tensión de salida bomba de enjuague	V CA	120
	Tensión de salida motor del tambor	V CC	12
	Tensión de salida caja de señales	V CC	12
	Temperatura del entorno	°F	14 a 95
	Fusible		5 × 20 mm, T16 A, 250 V
	Longitud cable de red	ft	16.5
Temperatura permisible del agua		°F	39 a 95
Longitud mazo de cables		ft	3.3
Emisión de ruido aéreo		dB(A)	< 70
Dimensiones	La. × An. × Al.	in	52.7 × 35.4 × 32.3
Peso	sin agua	lbs	233
	con agua	lbs	≈1012
Bomba de enjuague	Presión del agua	psi	37
	Consumo de agua por proceso de enjuague	gal	≈2.3
Tambor	Diámetro	in	19.7
	Anchura	in	6.3
Elementos de criba	Cantidad	pzas.	8
Separación de la suciedad gruesa	Tamaño de malla	µm	60
Entrada	Cantidad	pzas.	1 + 1 (opcional)
	Conexión		Ø 2 in (Ø 50 mm)
Salida	Cantidad	pzas.	2
	Conexión	in	Ø 4 (DN 110)
Opción equipo preclarificador UVC			Bitron C 55 W ... 110 W
Salida de agua sucia	Cantidad	pzas.	1
	Conexión	in	Ø 3 (DN 75)
Salida de suciedad gruesa	Cantidad	pzas.	1
	Conexión	in	Ø 4 (DN 110)
Potencia de circulación	máxima	gph	5284
	mínima	gph	2632
Bioelementos Hel-X	Cantidad suministrada	gal	15.9
	Cantidad de rellenado	gal	5.3
Aireación	Barra aireadora	pzas.	1
	Conexión en		AquaOxy 450

¿Preguntas, problemas, partes faltantes?

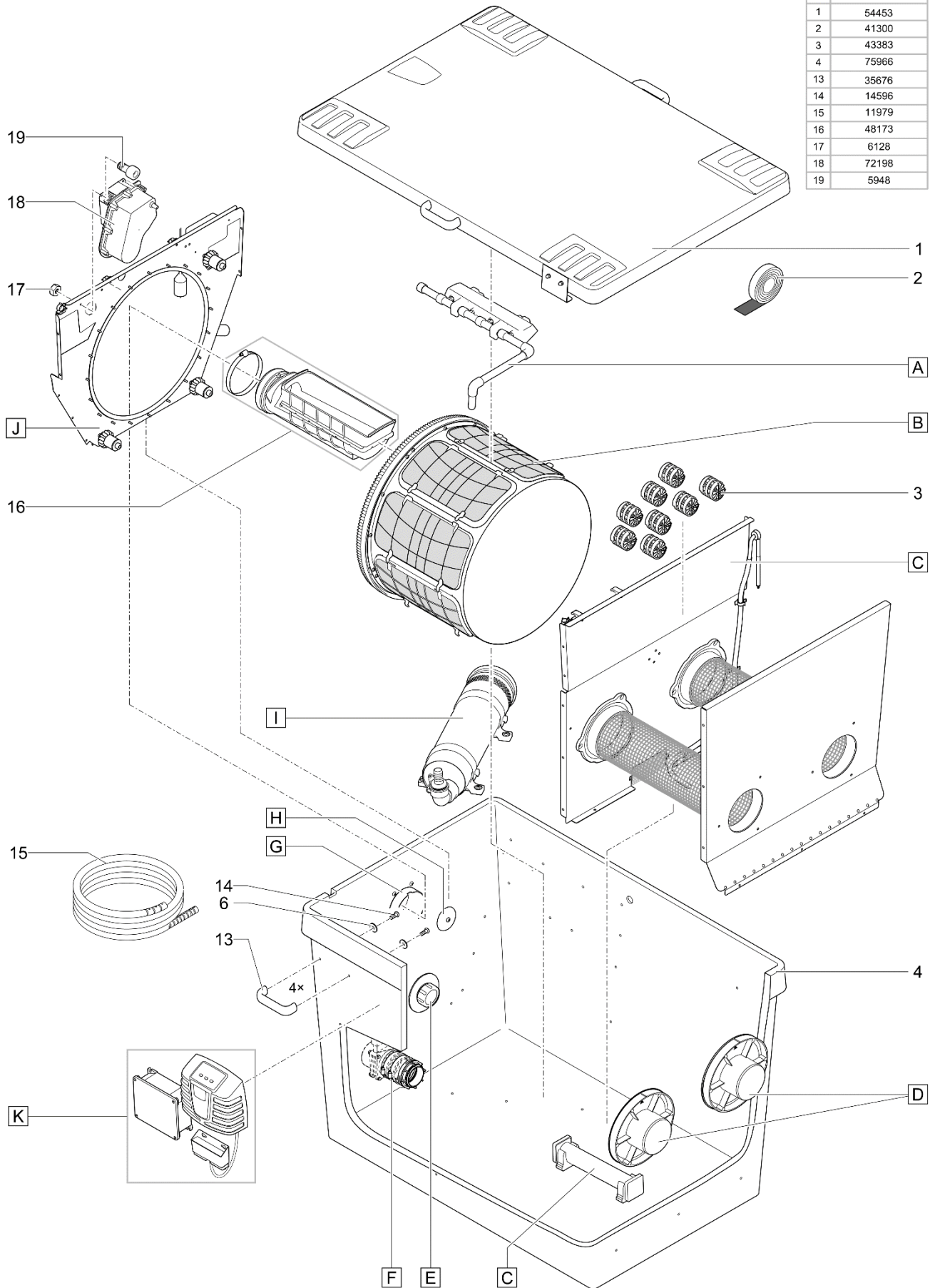
Before returning to your retailer, call us at 1-866-627-3435, 8 a.m.-6 p.m., EST, Monday-Friday, or email

Antes de regresar con su vendedor, llame al 1-866-627-3435 de 8 am a 6 pm, hora del este, de lunes a viernes, o envíenos un correo electrónico a customercare@oase-livingwater.com. O visite nuestra página web www.oase-livingwater.com

13 Símbolos en el equipo

IP44	Protegido contra polvo Protegido contra chorros de agua.
 T16A	Fusible 16 A / 250 V, retardado
	Posibles peligros para personas con marcapasos.
	Proteger contra la radiación solar directa
	Desinstalar el equipo en caso de heladas.
	No tocar en la entrada ni en la salida. Peligro de lesión por el movimiento de cizalla.
	Leer las instrucciones de uso.

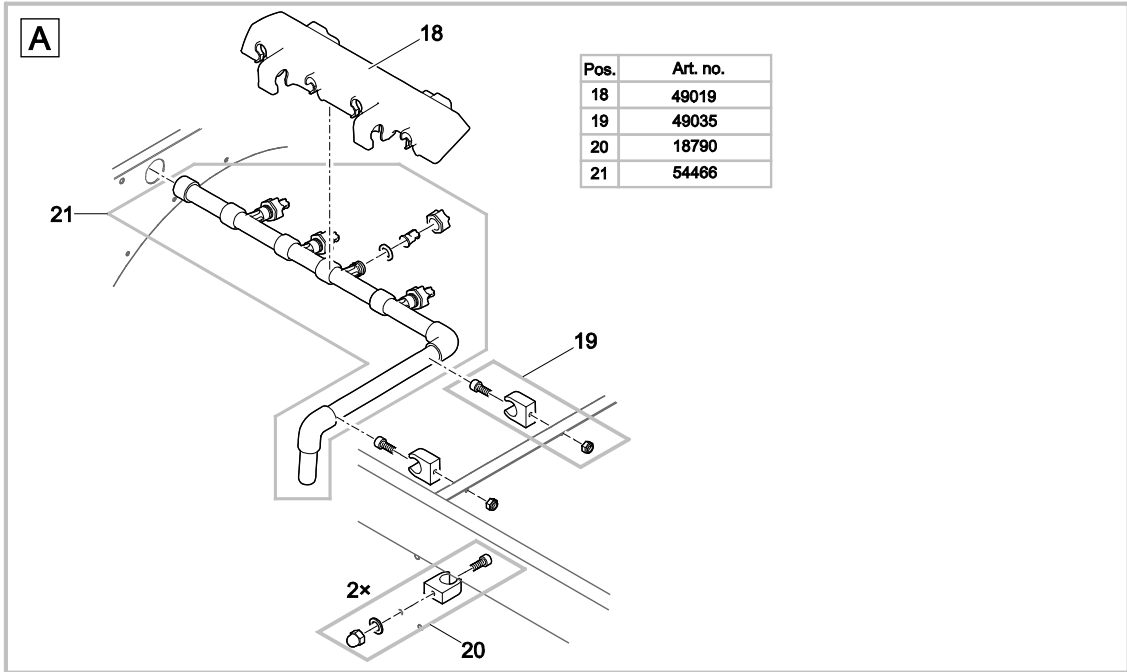
Pos.	
1	54453
2	41300
3	43383
4	75966
13	35676
14	14596
15	11979
16	48173
17	6128
18	72198
19	5948



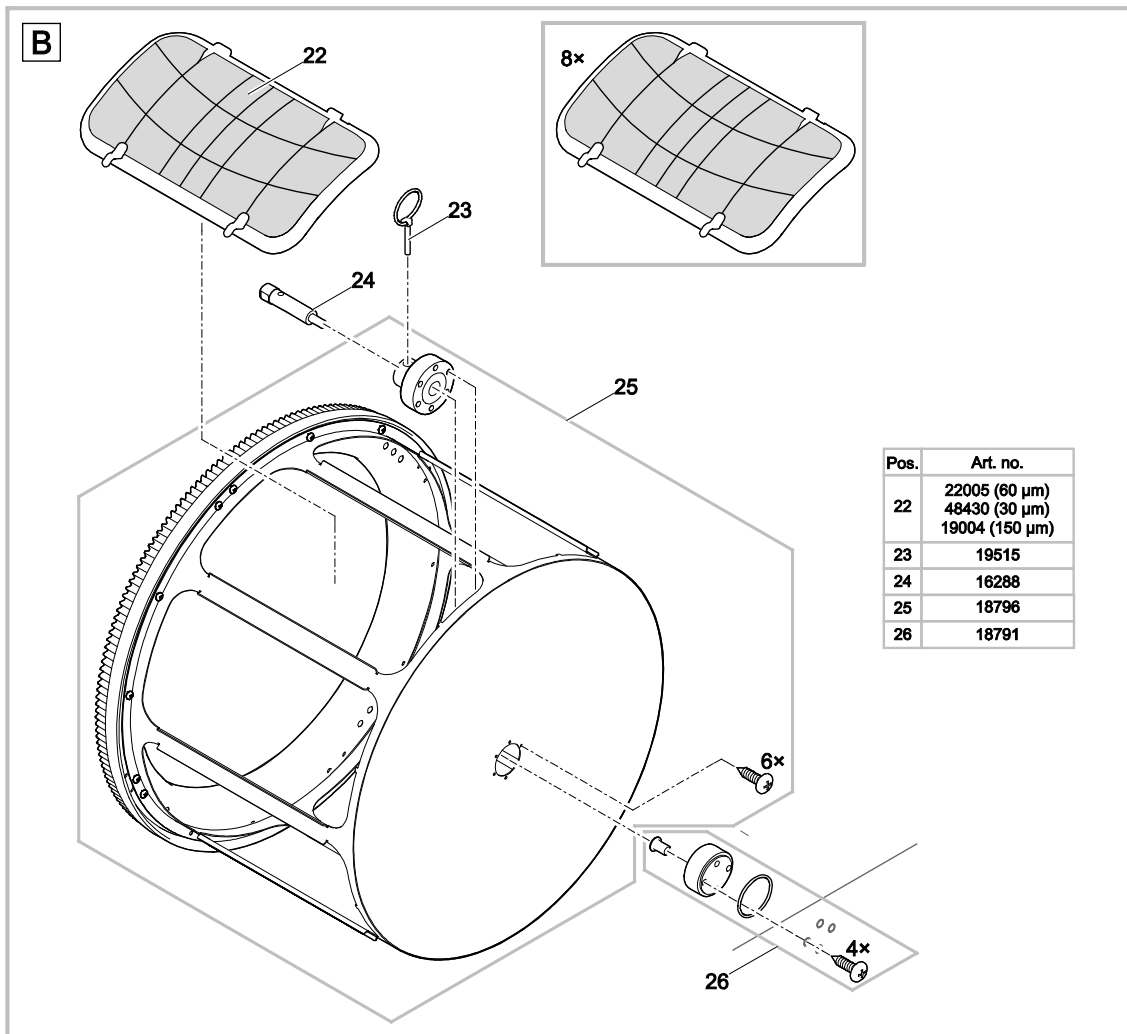
Proficlear0250

¿Preguntas, problemas, partes faltantes?

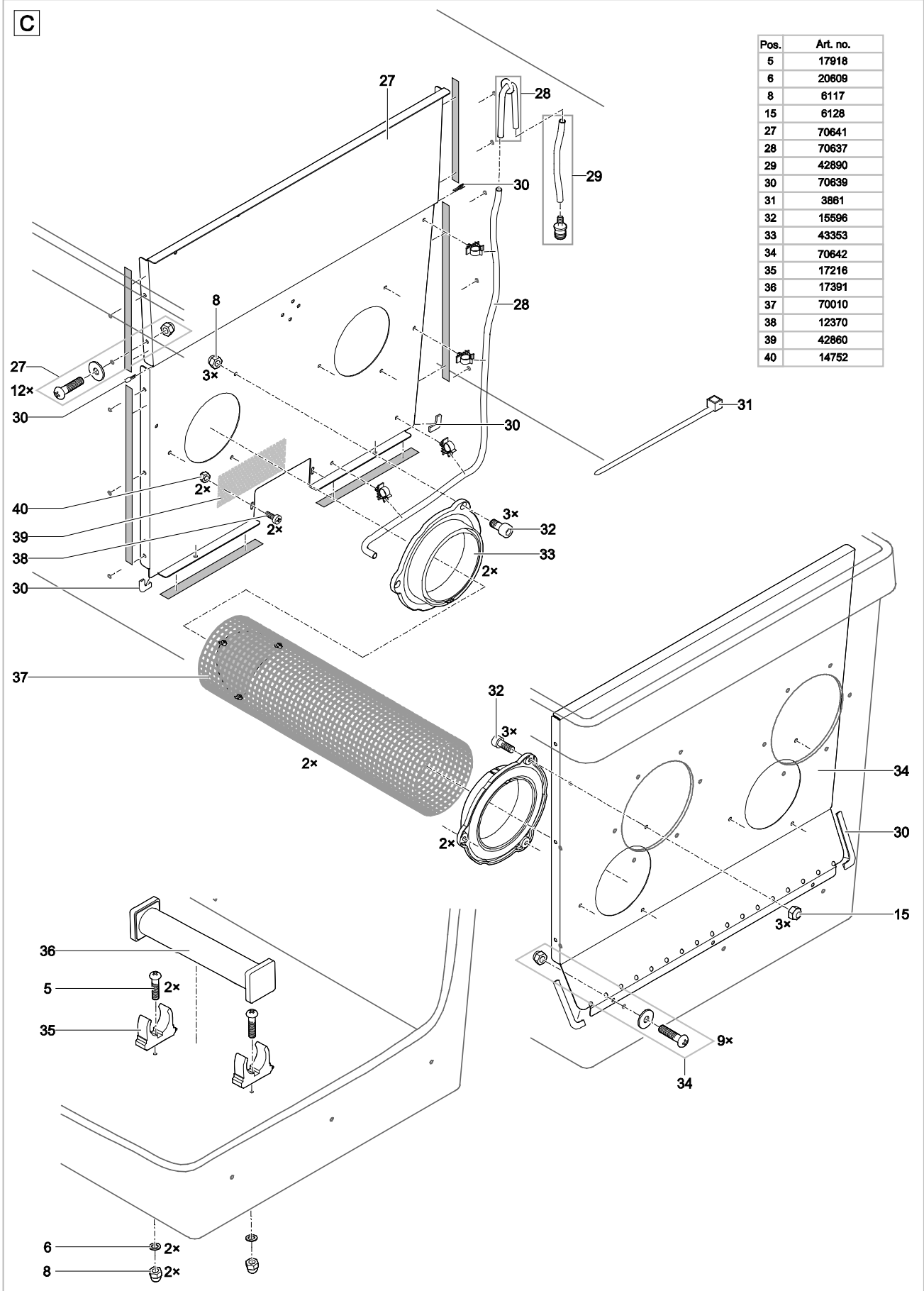
Before returning to your retailer, call us at 1-866-627-3435, 8 a.m.-6 p.m., EST, Monday-Friday, or email Antes de regresar con su vendedor, llame al 1-866-627-3435 de 8 am a 6 pm, hora del este, de lunes a viernes, o envíenos un correo electrónico a customer-care@oase-livingwater.com. O visite nuestra página web www.oase-livingwater.com



Proficlear0251

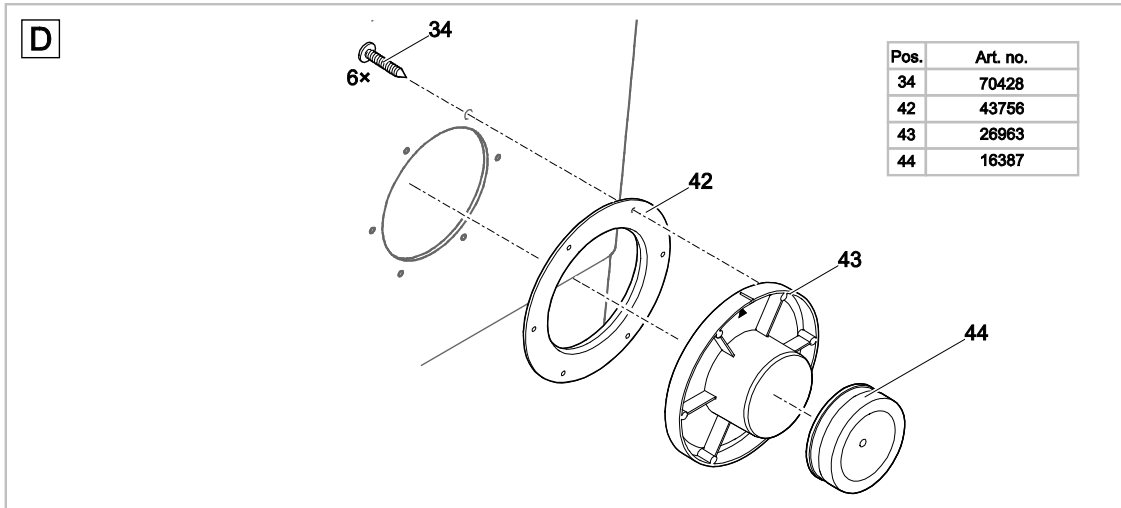


Proficlear0252

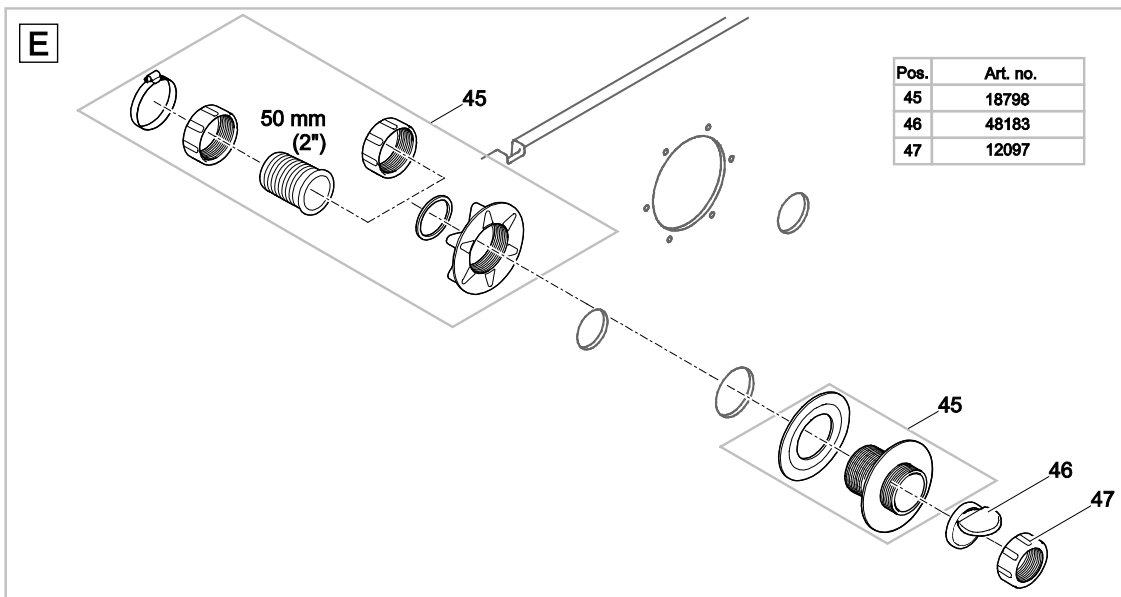


Pos.	Art. no.
5	17918
6	20609
8	6117
15	6128
27	70641
28	70637
29	42890
30	70639
31	3861
32	15596
33	43353
34	70642
35	17216
36	17391
37	70010
38	12370
39	42860
40	14752

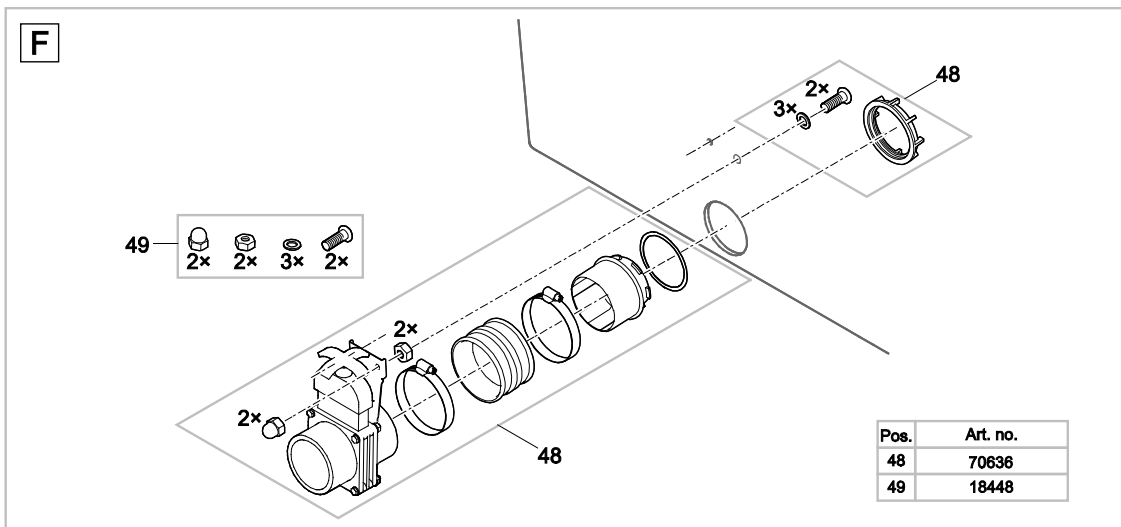
¿Preguntas, problemas, partes faltantes?
 Before returning to your retailer, call us at 1-866-627-3435, 8 a.m.-6 p.m., EST, Monday-Friday, or email
 Antes de regresar con su vendedor, llame al 1-866-627-3435 de 8 am a 6 pm, hora del este, de lunes a viernes, o envíenos un correo electrónico a customer-care@oase-livingwater.com. O visite nuestra página web www.oase-livingwater.com



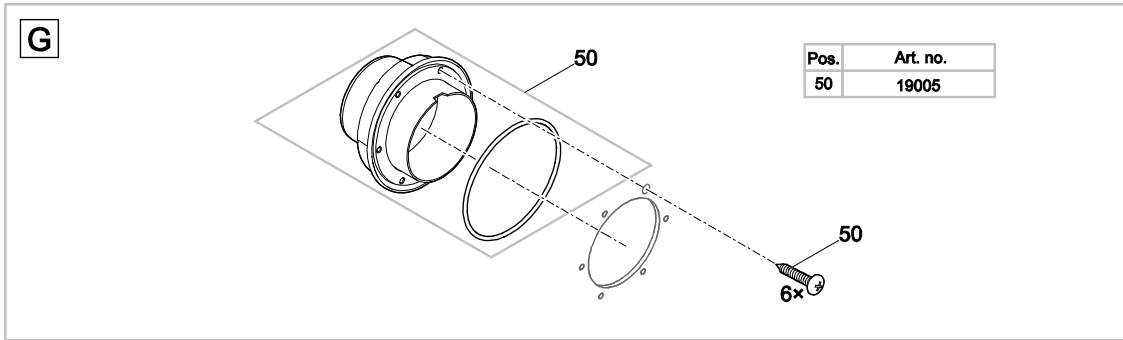
Proficlear0254



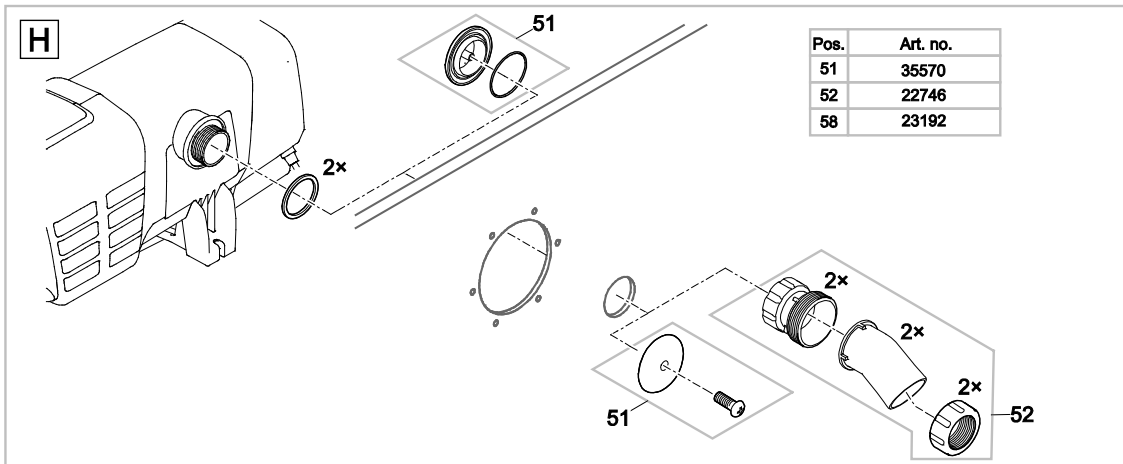
Proficlear0255



Proficlear0256



Proficlear0257



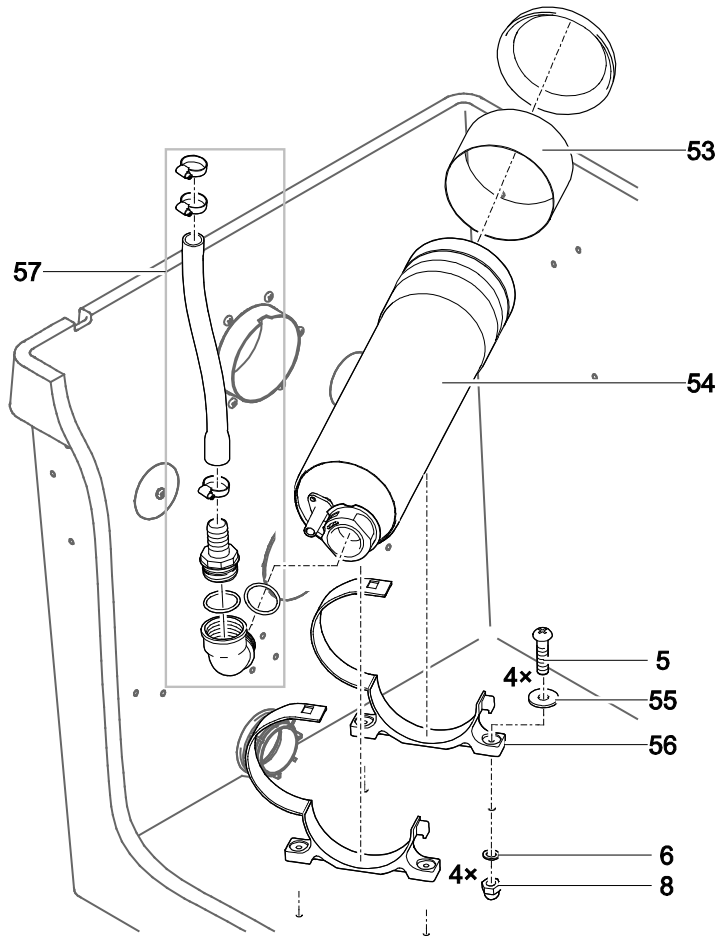
Proficlear0258

¿Preguntas, problemas, partes faltantes?

Before returning to your retailer, call us at 1-866-627-3435, 8 a.m.-6 p.m., EST, Monday-Friday, or email

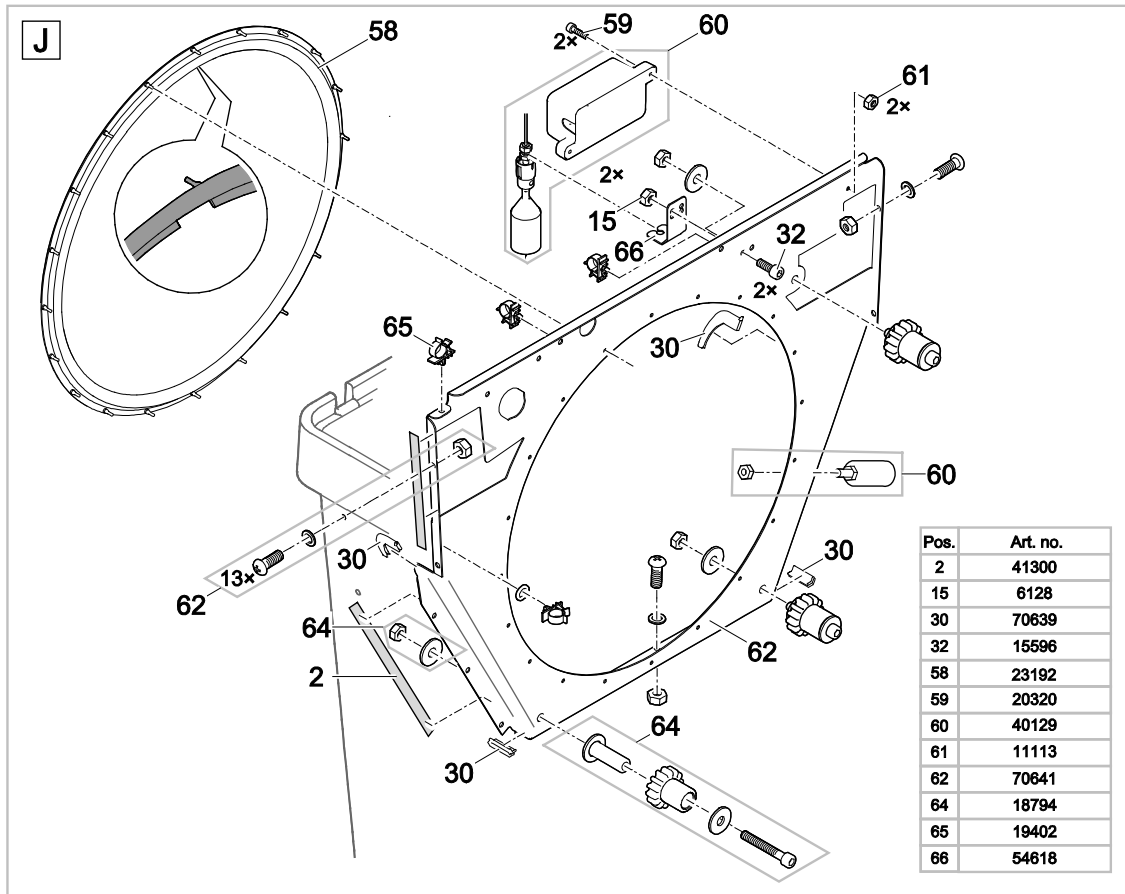
Antes de regresar con su vendedor, llame al 1-866-627-3435 de 8 am a 6 pm, hora del este, de lunes a viernes, o envíenos un correo electrónico a customer care@oase-livingwater.com. O visite nuestra página web www.oase-livingwater.com

I

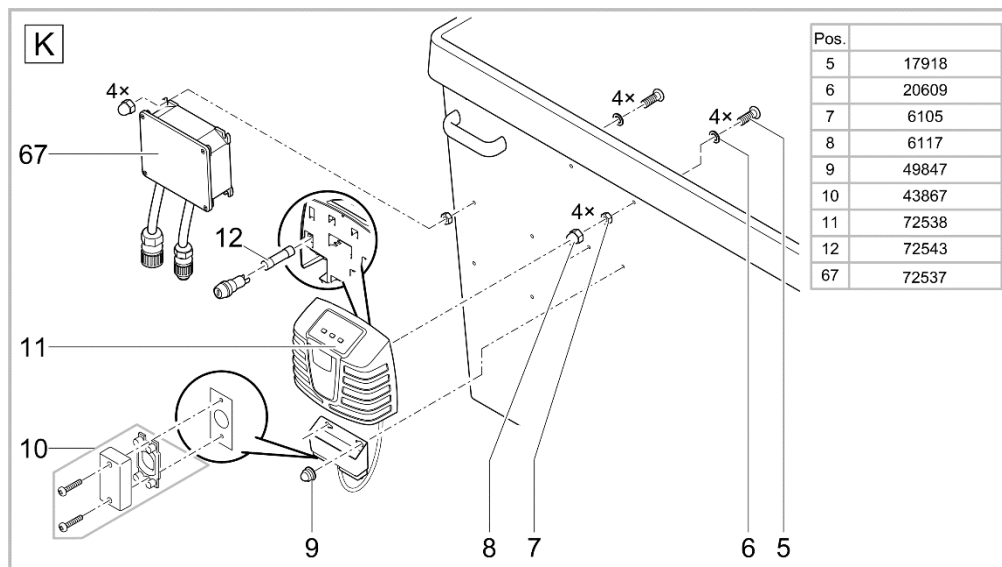


Pos.	Art. no.
5	17918
6	20609
8	6117
53	18943
54	71780
55	6143
56	17043

Proficlear0259



Proficlear0260



Proficlear0281

¿Preguntas, problemas, partes faltantes?

Before returning to your retailer, call us at 1-866-627-3435, 8 a.m.-6 p.m., EST, Monday-Friday, or email

Antes de regresar con su vendedor, llame al 1-866-627-3435 de 8 am a 6 pm, hora del este, de lunes a viernes, o envíenos un correo electrónico a customer-care@oase-livingwater.com. O visite nuestra página web www.oase-livingwater.com



OASE North America Inc. · www.oase-livingwater.com