

E.SWIM

ELECTRONIC SWIMMING POOL PUMP



E.SWIM

ELECTRONIC SWIMMING POOL PUMP



TECHNICAL DATA

Operating range: up to 188gpm (42m³/hr) with head of up to 86 ft (26.2 m)
Pumped liquid: clean water, or slightly contaminated water with suspended solid debris, or long fibres; highly aggressive water with high percentage of chlorine/bromine and PHMB (Polyhexamethylene biguanide), or chlorine electrolysis treated water.
PH Range: 6.5 - 8.4
Pumped liquid temperature range: up to 104 °F (40 °C)
Maximum ambient temperature: 122 °F (50 °C)
Maximum operating pressure: 36 psi (2.5 bar)
Nominal working pressure: 11.6 - 17.4 psi (ideally 14.5 psi)
Installation: fixed, horizontal position
Standard of reference: IEC - 60364.
Protection class of the motor and the terminal box: IP X5
Protection class at the terminal board: IP X5
Insulation class: F
Standard voltage: single-phase 230 V - 50/60 Hz.

APPLICATIONS

E.SWIM is the most silent and energy-efficient electronic swimming pool pump with built-in high capacity strainer basket. E.SWIM combines advanced engineered hydraulic parts, frequency converter technology with a high efficiency permanent magnet motor. Due to its innovative water-cooled motor, the E.SWIM runs extremely quietly regardless of speed. Extremely quiet and highly reliable, developed for water circulation and filtration in domestic and residential swimming pools. Also suitable for specific applications requiring handling of aggressive liquids in the fishing, agricultural, and industrial sectors.

CONSTRUCTION FEATURES

The impeller and volute are designed to achieve high efficiency, improving hydraulic performances and reducing energy consumption. Transparent antioxidant polycarbonate basket cover ensuring constant visibility over long periods. Fiberglass reinforced technopolymer hydraulics designed to ensure total cover and insulation of the motor shaft from the pumped liquid. Carbon / alumina / NBR / AISI 316 mechanical seal. Tool less Butterfly drain plugs.

E.SWIM is provided with synchronous brushless electric motor with encapsulated magnetic rotor, driven by frequency converter. Water-cooled motor (no motor fan), extremely quiet running. Die cast aluminium motor casing with special coating to avoid oxidation. Support base supplied with rubber feet to reduce vibrations.

E.SWIM pump is controlled by an electronic device based on Trench IGBT technology of the latest generation for higher efficiency and robustness. Two dedicated 32-bit processors (one for motor control and one for the user interface), intuitive user interfaces, and external input (0-10V or 4-20 mA or PWM signal) ensure ease of setting for all users. Its on-board computer and intelligent software can operate at different constant speeds or programmable constant flow (totally sensor-less) to optimize performance and minimize energy use.

HIGHLIGHTS

- NOISELESS New water cooled motor
- HIGH EFFICENCY Thanks to the new brushless motor, new hydraulics & new electronic motor control
- DESIGN Modern and compact
- RELIABLE Components designed for long life
- RANGE REDUCTION One model covers the performances of 4 pumps (0.5 HP, 0.75 HP, 1 HP, 1.5 HP)

DISPLAY FEATURES

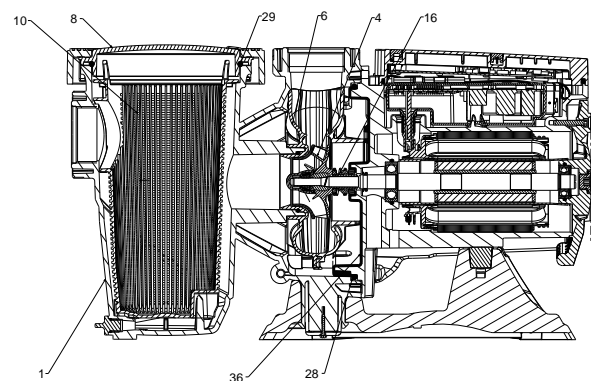
- 4 different keys preset at specific Speed/Flow (1, 2, 3, 4)
- speed/flow keys are adjustable
- On board scheduling with timers
- 'Auto' button enable the automatic operation according to the timer schedule
- 'Quick Clean' button enable high speed operation
- Central keys for menu navigation and settings
- Sequential navigation system
- LEDs for indication of: Warning/Alarm, Power on, Pump Running
- LCD display 2.75" x 1.58" (70 mm x 40 mm) showing run time, mode and current status
- Antifreeze system protection



MATERIALS

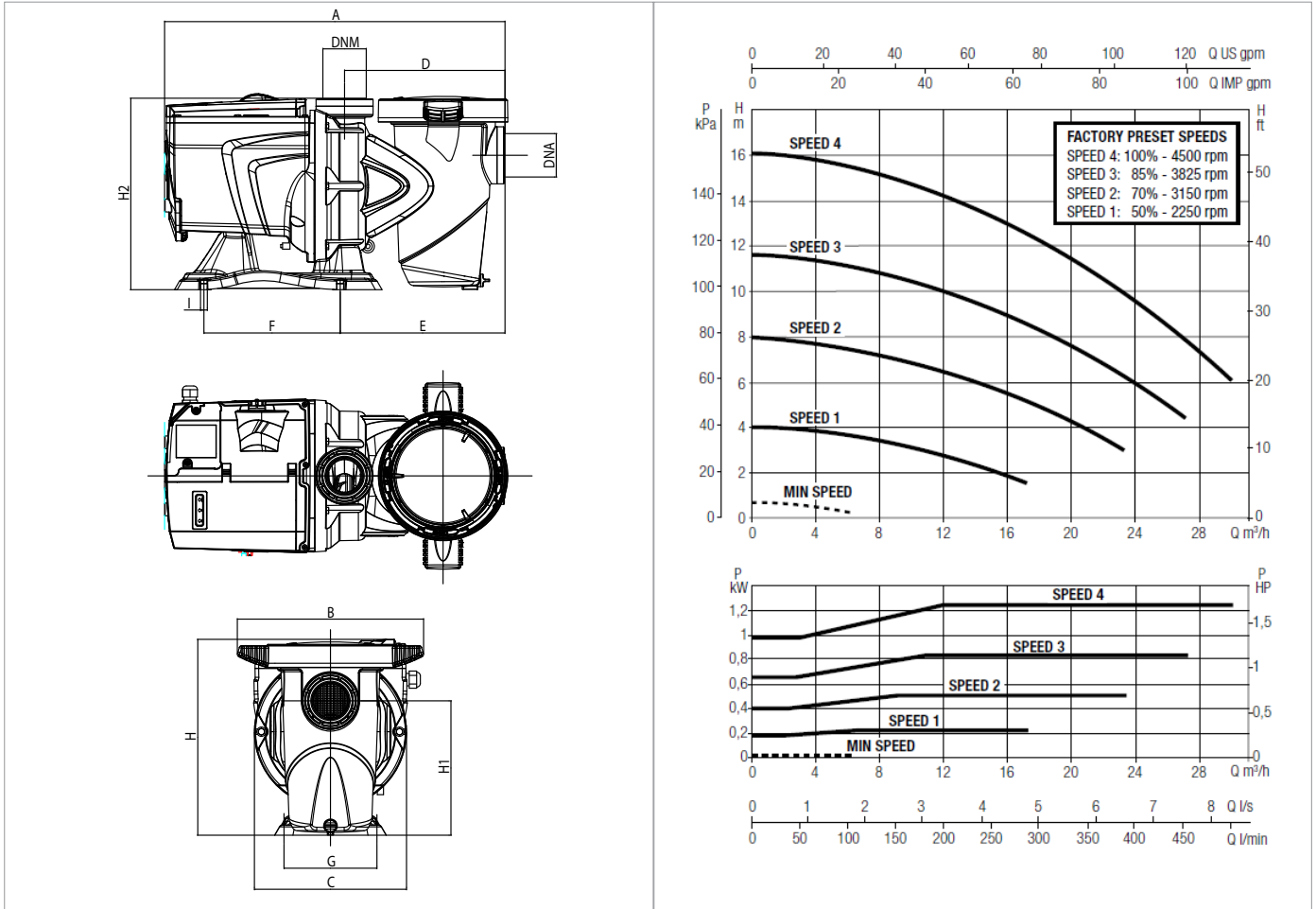
N.	PARTS*	MATERIALS
1	PUMP BODY	REINFORCED TECHNOPOLYMER
4	IMPELLER	REINFORCED TECHNOPOLYMER
6	VOLUTE	REINFORCED TECHNOPOLYMER
8	STRAINER COVER	POLYCARBONATE
10	STRAINER	TECHNOPOLYMER
16	MECHANICAL SEAL	CARBON/ALUMINA/NBR/AISI316
28	O-RING	NBR
29	O-RING	NBR
36	SEAL HOLDING DISC	EPDM

* In contact with the liquid



E.SWIM 150

ELECTRONIC SWIMMING POOL PUMP



The performance curves are based on kinematic viscosity values = 1 mm²/s and density equal to 1000 kg/m³. Curve tolerance according to ISO 9906.

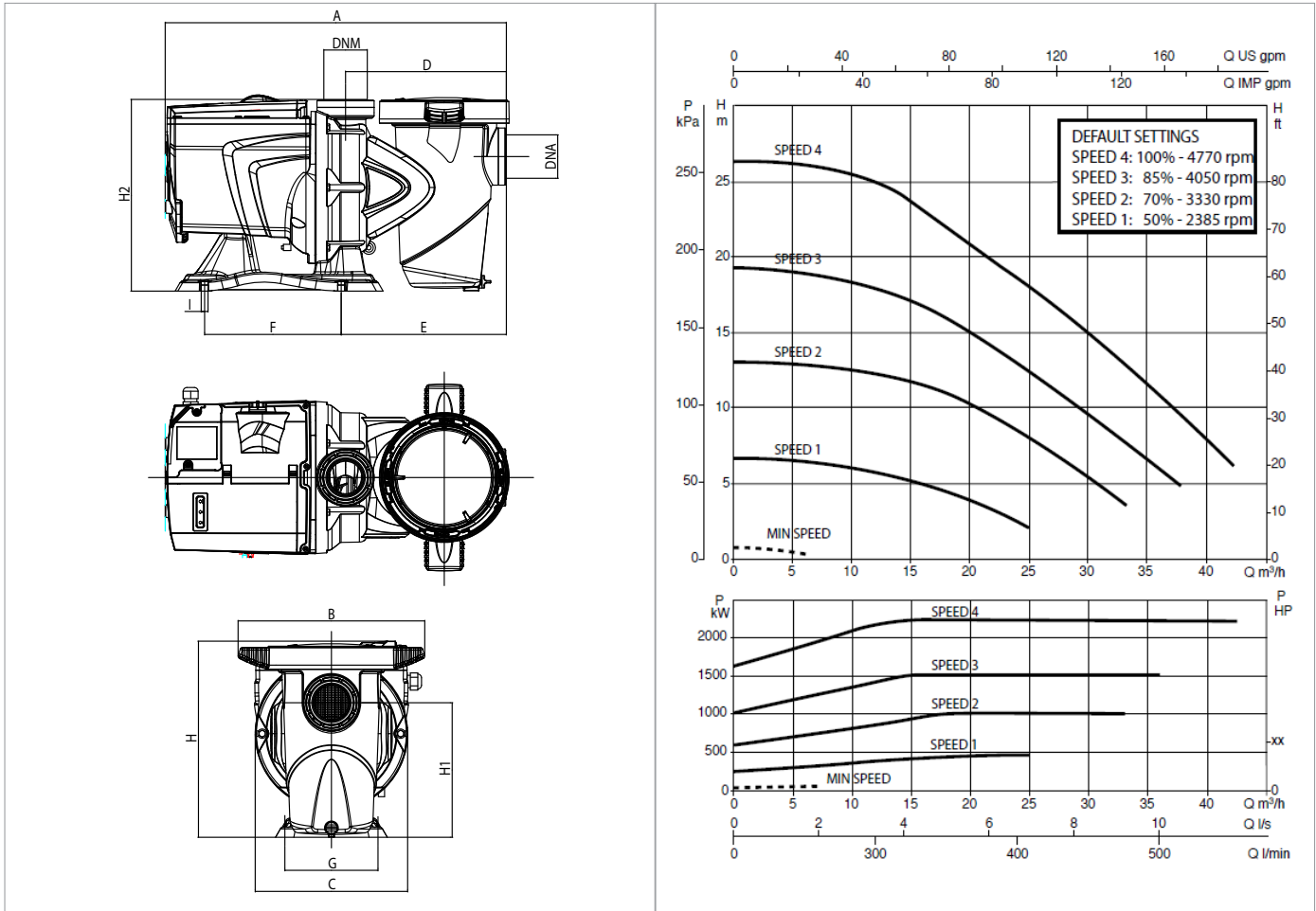
MODEL	U.S. gpm	0.0	26.4	52.8	79.3	105.7	132.1
	l/min	0.0	100	200	300	400	500
E.SWIM 150 M	ft (H ₂ O)	52.39	50.68	46.59	37.73	29.86	20.34
	m (H ₂ O)	15.97	15.45	14.20	11.50	9.1	6.2

MODEL	POWER INPUT 50/60 Hz	P1 MAX W	P2 NOMINAL		In A	NOISE LEVEL MAX db (A)
			kW	HP		
E.SWIM 150 M	230 V	1250	1.1	1.5	5.6	< 50 dB(A)

MODEL		A	B	C	D	E	F	G	H	H1	H2	I	DNA / DNM	PACKING DIMENSIONS			GROSS WEIGHT	Q.TY X PALLET
		L/A	L/B	H														
E.SWIM 150 M	in	21.7	11.8	9.6	10.2	10.5	8.7	5.9	12.4	8.5	12.2	0.4	2"NPT	28.3	13.8	16.9	41.9 lbs	6
	mm	550	300	245	259	266	220	150	316	217	309	11	2"NPT	720	350	430	18 Kg	6

E.SWIM 300

ELECTRONIC SWIMMING POOL PUMP



The performance curves are based on kinematic viscosity values = 1 mm²/s and density equal to 1000 kg/m³. Curve tolerance according to ISO 9906.

MODEL	U.S. gpm	0.0	26.4	52.8	79.3	105.7	132.1	158.5	184.9
	l/min	0.0	100	200	300	400	500	600	700
E.SWIM 300 M	ft (H ₂ O)	86.10	85.04	80.73	71.52	60.10	48.23	35.29	20.94
	m (H ₂ O)	26.24	25.92	24.61	21.80	18.32	14.7	10.76	6.38

MODEL	POWER INPUT 50/60 Hz	P1 MAX W	P2 NOMINAL		I _n A	NOISE LEVEL MAX db (A)
			kW	HP		
E.SWIM 300 M	230 V	2250	2.2	3.0	10	44

MODEL		A	B	C	D	E	F	G	H	H1	H2	I	DNA / DNM	PACKING DIMENSIONS			GROSS WEIGHT	Q.TY X PALLET
		L/A	L/B	H														
E.SWIM 300 M	in	22.6	11.9	11.4	10.6	10.9	8.7	5.9	13.9	9.9	13.5	0.4	2"NPT	28.3	13.8	16.9	46.9 lbs	6
	mm	574	304	290	269	276	220	150	354	252	344	11	2"NPT	720	350	430	21.3Kg	6





DAB Pumps Inc.

3226 Benchmark Dr.

Ladson, SC 29456

Tel 843 797 5002

Fax 843 797 3366

email info.usa@dwtgroup.com

Web www.dabpumps.us



DAB PUMPS LTD.

Unit 4 and 5, Stortford Hall Industrial Park,
Dunmow Road,
Bishops Stortford,
Herts
CM23 5GZ - UK
salesuk@dwtgroup.com
Tel. +44 1279 652 776
Fax +44 1279 657 727



DAB PUMPS IBERICA S.L.

Avenida de Castilla nr.1 Local 14
28830 - San Fernando De Henares - Madrid
Spain
info.spain@dwtgroup.com
Tel. +34 91 6569545
Fax: +34 91 6569676



DAB PUMPS INC.

3226 Benchmark Drive
Ladson, SC 29456 - USA
info.usa@dwtgroup.com
Tel. 1-843-797-5002
Fax 1-843-797-3366



DAB PUMPS B.V.

Brusselstraat 150
B-1702 Groot-Bijgaarden - Belgium
info.belgium@dwtgroup.com
Tel. +32 2 4668353
Fax +32 2 4669218



DAB PRODUCTION HUNGARY KFT.

H-8800
Nagykanizsa, Buda Ernő u.5
Hungary
Tel. +36 93501700



DWT SOUTH AFRICA

Podium at Menlyn,
3rd Floor, Unit 3001b, 43 Ingersol Road,
C/O Lois and Atterbury street,
Menlyn, Pretoria, 0181 - South-Africa
info.sa@dwtgroup.com
Tel. +27 12 361 3997
Fax +27 12 361 3137



DAB PUMPS B.V.

Albert Einsteinweg, 4
5151 DL Drunen - Nederland
info.netherlands@dwtgroup.com
Tel. +31 416 387280
Fax +31 416 387299



DAB PUMPS POLAND Sp. z o.o.

Mokotów Marynarska
ul. Postępu 15C
02-676 Warszawa - Poland
polska@dabpumps.com.pl
Tel. +48 223 816 085



DAB PUMPS CHINA

No.40 Kaituo Road, Qingdao Economic & Technological
Development Zone
Qingdao City, Shandong Province - China
PC: 266500
info.china@dwtgroup.com
Tel. +8653286812030-6270
Fax +8653286812210



DAB UKRAINE Representative Office

Regus Horizon Park
4 M. Hrinchenka St, suit 147
03680 Kiev - Ukraine
Tel. +38 044 391 59 43



DAB PUMPEN DEUTSCHLAND GmbH

Tackweg 11
D - 47918 Tönisvorst - Germany
info.germany@dwtgroup.com
Tel. +49 2151 82136-0
Fax +49 2151 82136-36



OOO DAB PUMPS

Novgorodskaya str. 1, block G
office 308, 127247, Moscow - Russia
info.russia@dwtgroup.com
Tel. +7 495 122 0035
Fax +7 495 122 0036



DAB PUMPS DE MÉXICO, S.A. DE C.V.

Av Gral Álvaro Obregón 270, oficina 355
Hipódromo, Cuauhtémoc 06100
México, D.F.
Tel. +52 55 6719 0493