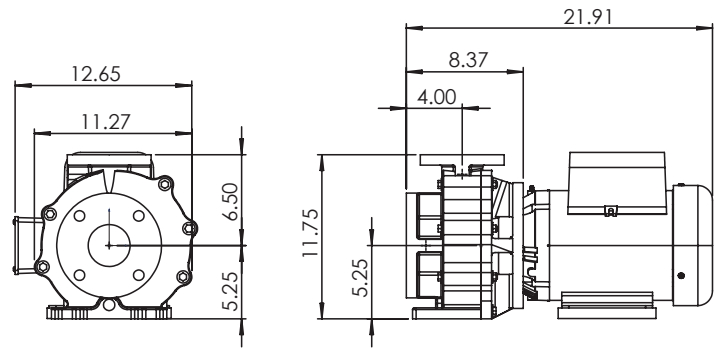
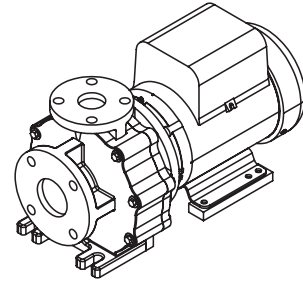


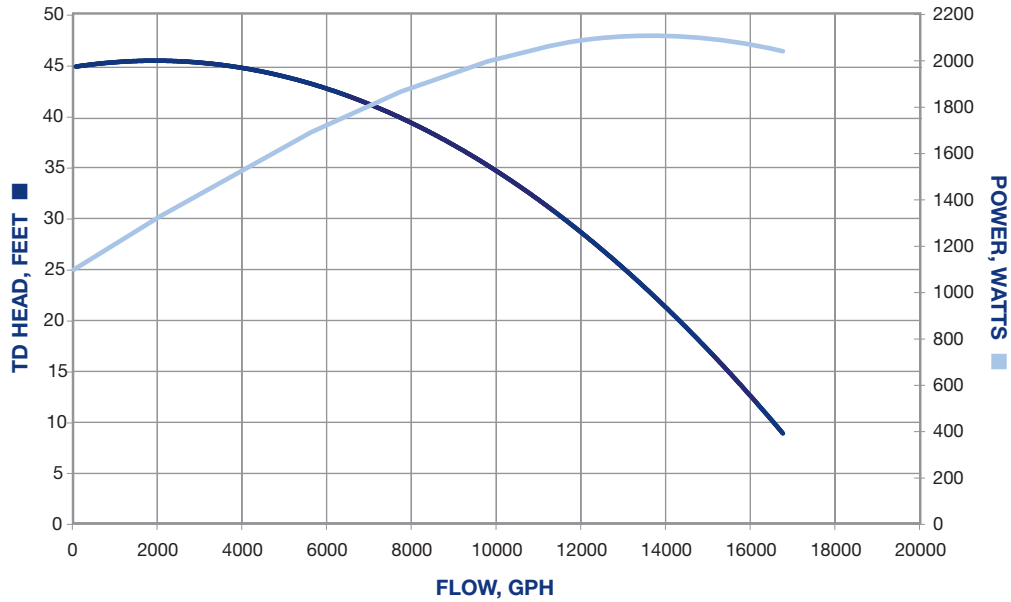
EXT 18000-3P Pond Pump



*Dimensions and illustrations are approximate and for reference only

EXT 18000-3P Pond Pump Item # 45052

As large water features and high turnover requirements continue to gain popularity, the cost of energy does not. The EXT 18000-3P is sure to cover most large scale water feature requirements.



EXT 18000-3P	Item # 45052
INLET	3"
DISCHARGE	2"
MAX FLOW (gph)	18400
MAX HEAD (feet)	45'
MAX POWER (watts)	1932
MAX CURRENT AMPS @ 230V	8.4
MAX CURRENT AMPS @ 460V	4.2
MOTOR HP	3
MOTOR TYPE	184JM
MOTOR ENCLOSURE	TEFC
PHASE	3-Phase



MANUFACTURED IN THE USA



TEFC FAN COOLED MOTOR



LIMITED WARRANTY

MODEL	MAX HEAD HEIGHT	APPLICATION HEAD HEIGHT										
		0'	5'	10'	15'	20'	25'	30'	35'	40'	45'	50'
18000-3P	45'	18000	17000	16500	15660	14332	13000	11700	9832	7720	3600	0

DO NOT OPERATE

MAXIMUM OPERATING ZONE

BEST OPERATING ZONE

