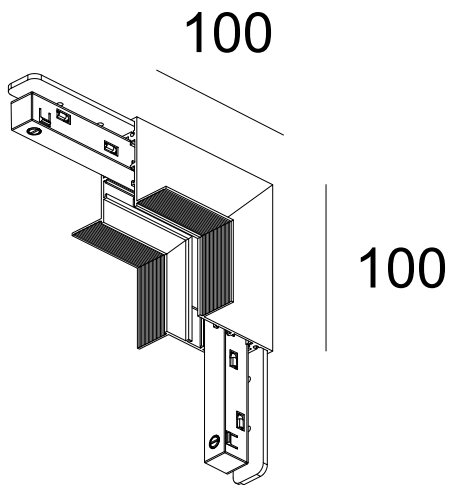
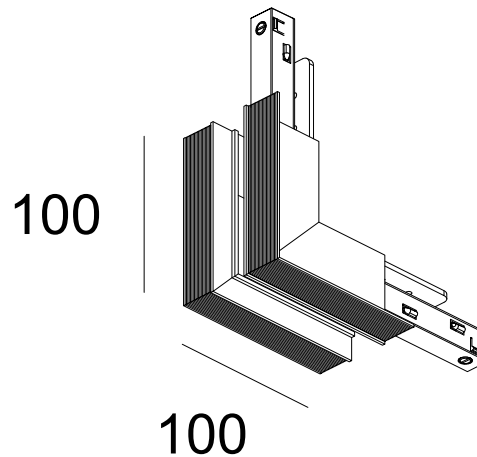


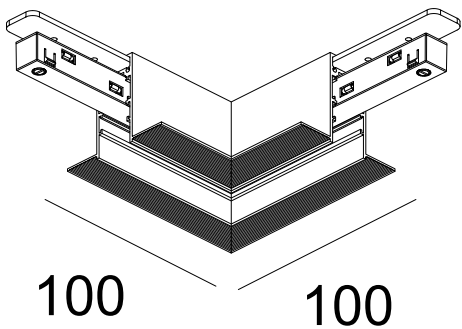
PLASTER REC CONNECTOR



V Corner



E Corner



H Corner