

**ABOUT  
SPACE**  
lighting

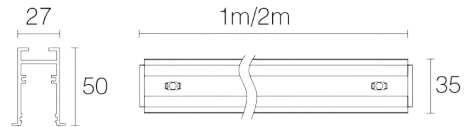
**MAGUS**

MAGNETIC LED TRACK



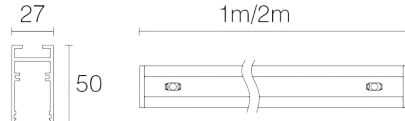


### Rail Trim

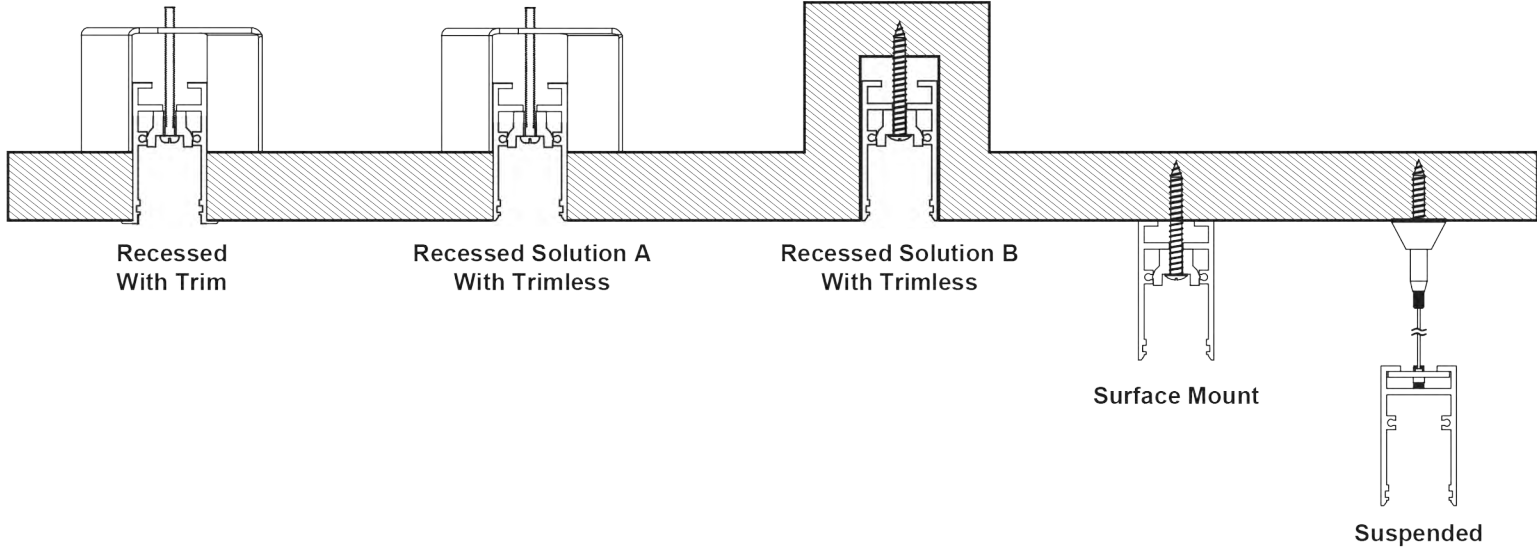


Code	Name	Spec	Color
MT511	Rail Trim	1M / 2M	White / Black

### Rail Trimless



Code	Name	Spec	Color
MT501	Rail Trimless	1M / 2M	White / Black



## Track Connector Component

MT516



Name : Supended Kit

Spec : 2M / 3M

MT520



Name : Recessed Bracket

MT317A



Name : Toggle Bolt

MT517



Name : Power Feed

Spec : 250W 5A Max

MT519



Name : Streight Connector

Spec : 250W 5A Max

MT518A



Name : L Connector Horizontal

Spec : 250W 5A Max

MT518B



Name : L Connector Vertical

Spec : 250W 5A Max

## Power

F-LPV-100



Watts : 100 W

Output : DC 48V

Input : 230V~240V

Power Factor : >0.95

F-LPV-150



Watts : 150 W

Output : DC 48V

Input : 230V~240V

Power Factor : >0.95

F-ELG-200



Watts : 200 W

Output : DC 48V

Input : 230V~240V

Power Factor : >0.95

F-ELG-240



Watts : 240 W

Output : DC 48V

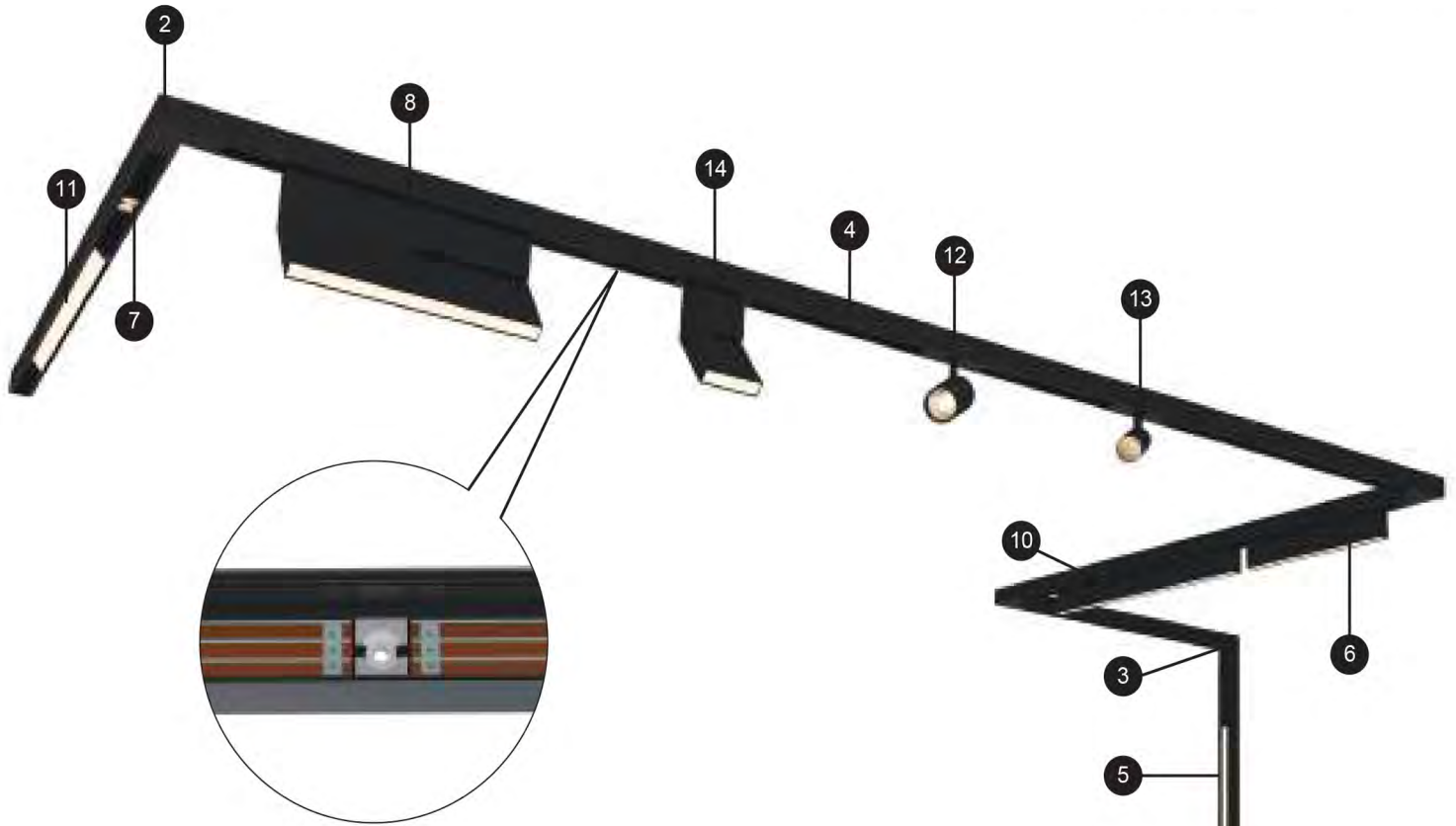
Input : 230V~240V

Power Factor : >0.95

# Succeed in working with Magus

ETL NO. :17090887HKG-001

CE NO. :EED32K000058



Screw mark for easy installation

## Please follow up the steps below to work out the design.

### 1. Create the idea

- Before planning the lay-out, imagine where you tend to high light the objects.
- Refer to above diagram showing the example of lay-out.

### 2. Plan the lay-out

- Consider the rail with 1M and 2M length and maximum 250W loading on each Power Feed.
- Rail can be cut in the field if it is necessary.
- Refer to the track connector and component list in this catalogue.

### 3. Determine the circuit

- Low voltage 48V DC operation in rail is 250W maximum on each loop.
- Power feed can be in the end of track.
- Power input can be considered in the connector as well.
- Long rail may cause voltage drop that will affect the light lumen output slightly.

### 4. Select the fixtures

- Refer to the Lamp selection in the catalogue, maximum beyond 250W in a loop.
- Wall Washer is suggest 0.6 -1.2M to the objects.

AC 220V

1 . MT517	8 . MT5213N
2 . MT518A	9 . MT5252N
3 . MT518B	10 . MT5253N
4 . MT519	11 . MT5263
5 . MT5202N	12 . MT5301N
6 . MT5203N	13 . MT5302N
7 . MT5204	14 . MT5401

3000K CCT WH color  
4000K CCT BK color  
80 CRI



CODE :  
**MT5204**

LED SMD  
Watts 4 W  
mA / V DC 48V  
Beam 30°  
Lumen 400 lm

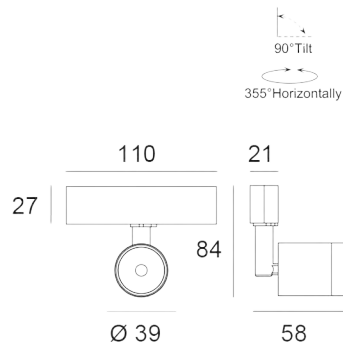


3000K CCT WH color  
4000K CCT BK color  
80 CRI



CODE :  
**MT5302N** (Antiglare)

LED COB  
Watts 4W  
mA / V DC 48V  
Beam 22°  
Lumen 460 lm

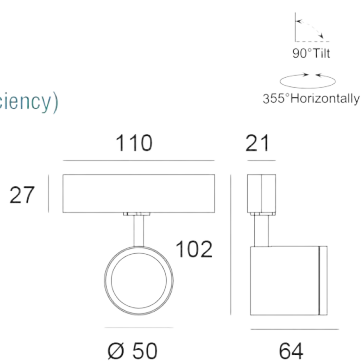


3000K CCT WH color  
4000K CCT BK color  
80 CRI



CODE :  
**MT5301N** (High Efficiency)

LED COB  
Watts 11 W  
mA / V DC 48V  
Beam 26°  
Lumen 734 lm

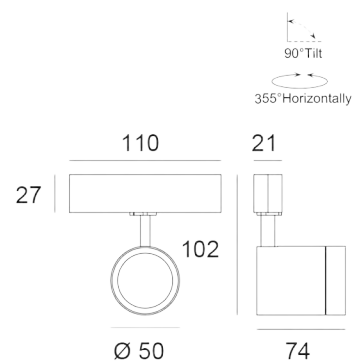


3000K CCT WH color  
4000K CCT BK color  
80 CRI



CODE :  
**MT5301L** (Antiglare)

LED COB  
Watts 11 W  
mA / V DC 48V  
Beam 26°  
Lumen 734 lm

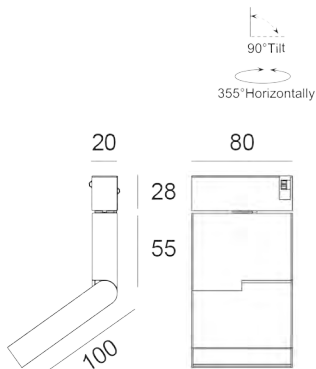


3000K CCT WH color  
4000K CCT BK color  
80 CRI



CODE :  
**MT5401**

LED SMD  
Watts 6 W  
mA / V DC 48V  
Beam 20°  
Lumen 350 lm

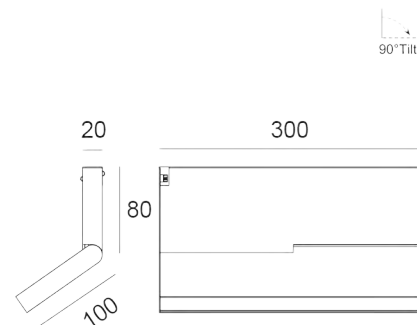


3000K CCT WH color  
4000K CCT BK color  
80 CRI



CODE :  
**MT5213N**

LED SMD  
Watts 28 W  
mA / V DC 48V  
Beam 94°  
Lumen 1350 lm

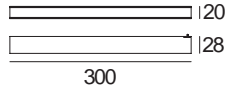


3000K CCT WH color  
 4000K CCT BK color  
 80 CRI



CODE :  
**MT5202N**

LED SMD  
 Watts 14 W  
 mA / V DC 48V  
 Beam 94°  
 Lumen 812 lm

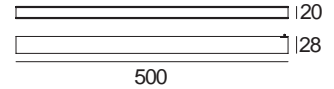


3000K CCT WH color  
 4000K CCT BK color  
 80 CRI



CODE :  
**MT5252N**

LED SMD  
 Watts 22 W  
 mA / V DC 48V  
 Beam 94°  
 Lumen 1268 lm

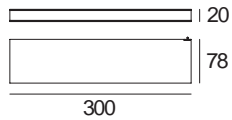


3000K CCT WH color  
 4000K CCT BK color  
 80 CRI



CODE :  
**MT5203N**

LED SMD  
 Watts 14 W  
 mA / V DC 48V  
 Beam 94°  
 Lumen 812 lm

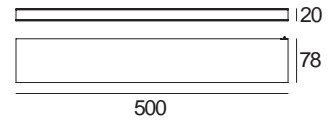


3000K CCT WH color  
 4000K CCT BK color  
 80 CRI



CODE :  
**MT5253N**

LED SMD  
 Watts 22 W  
 mA / V DC 48V  
 Beam 94°  
 Lumen 1268 lm

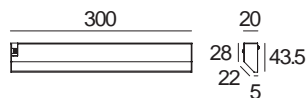


3000K CCT WH color  
 4000K CCT BK color  
 80 CRI



CODE :  
**MT5262**

LED SMD  
 Watts 14 W  
 mA / V DC 48V  
 Beam 94°  
 Lumen 780 lm

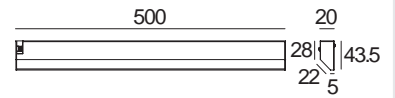


3000K CCT WH color  
 4000K CCT BK color  
 80 CRI



CODE :  
**MT5263**

LED SMD  
 Watts 22 W  
 mA / V DC 48V  
 Beam 94°  
 Lumen 1226 lm





- The simplicity of Magnetic Track System is designable for general lighting or task lighting by various selected fixtures, linear fixtures or directional task heads.
- With several connectors, system can be very easy surface mounted, recessed or suspended as the lighting designers' planned lay-out with non-limitation.
- System fits for most of commercial places, likes Office Spaces, Display Areas, Retail Stores, Public Spaces.
- Low Voltage designed for easy installation in safety.
- Magnetic adaptor allows fixtures be replaced at anytime and anywhere.
- Wide range of fixtures available from 350 lm 4W to 1600 lm 30W, from general lighting fixtures to task lighting track head.



## Our Locations

### About Space Fitzroy

175 Gertrude St, Fitzroy, VIC 3065,  
Australia

Telephone: +61 (03) 9417 4635

Email: [info@aboutspace.net.au](mailto:info@aboutspace.net.au)

### Aboutspace St.Kilda

138 St Kilda Road, St Kilda, VIC 3182,  
Australia

Telephone: +61 (03) 9534 4288

Email: [stkilda@aboutspace.net.au](mailto:stkilda@aboutspace.net.au)

### Aboutspace Sydney

410 Botany Road, Alexandria, NSW 2015,  
Australia

Telephone: +61 02 9318 0193

Email: [sydney@aboutspace.net.au](mailto:sydney@aboutspace.net.au)