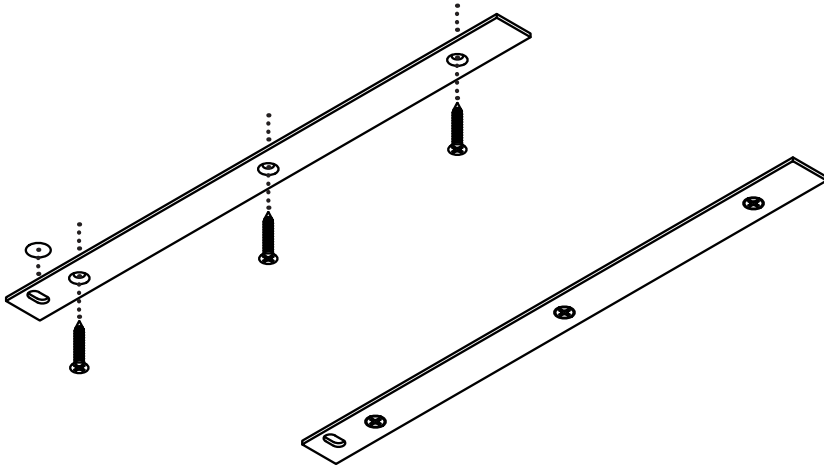
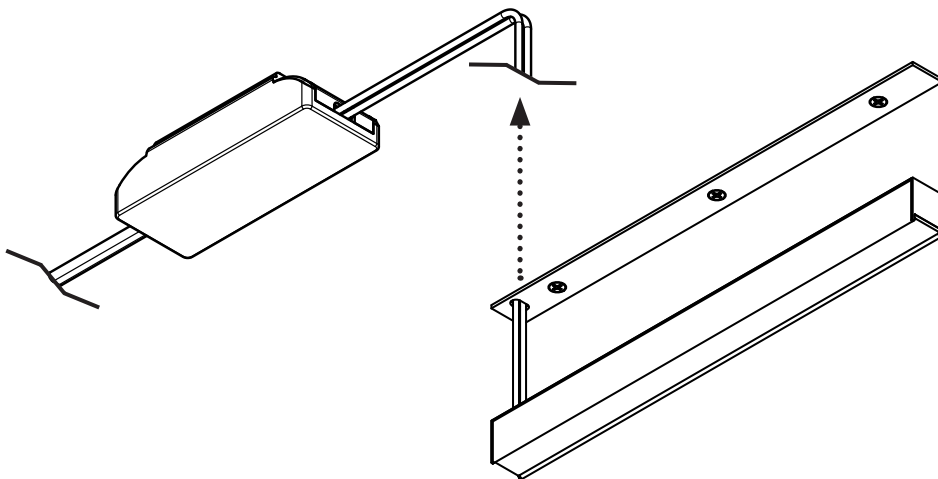


MAGUS DIRECT - STRAIGHT

1. Predrill ceiling/wall for a cable. Mount metal strip to ceiling/wall.



2. Insert cable through hole and connect to an external driver.



3. Position the light to metal strip.

