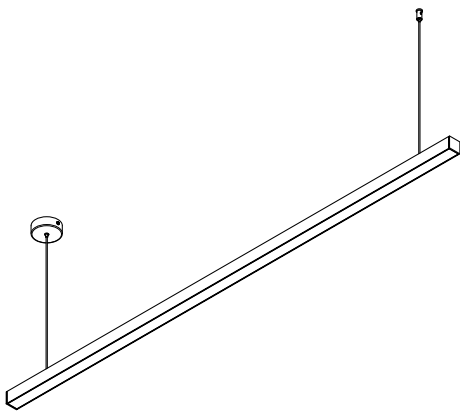


FORTON ASSEMBLY INSTRUCTIONS

lighting

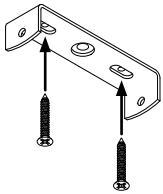
ABOUT SPACE



CEILING PLATE



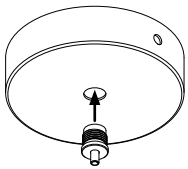
BOSS



STEP 1
Screw the mounting
bracket to the ceiling.



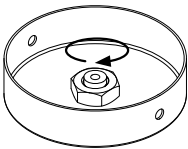
STEP 1
Unscrew the nipple
from the boss.



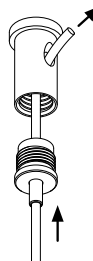
STEP 2
Insert the nipple into
the ceiling plate.



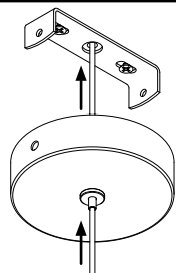
STEP 2
Insert the screw into the
boss - screw the boss
to the ceiling.



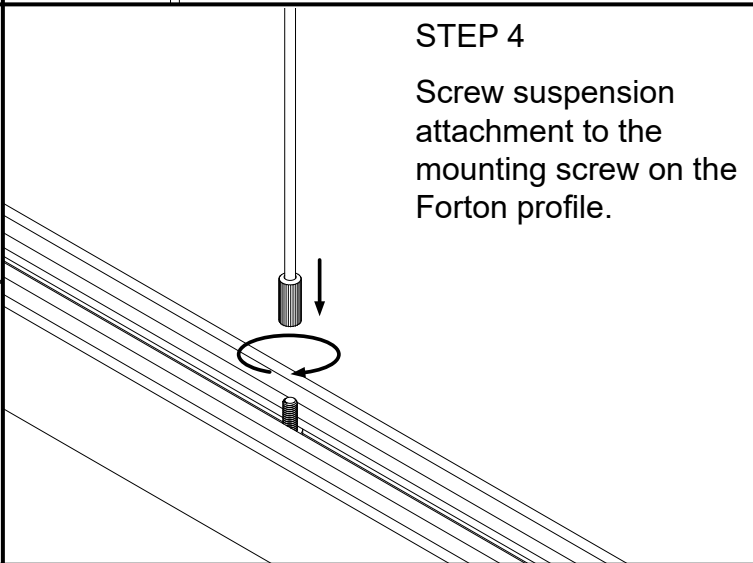
STEP 3
Secure the nipple to the
ceiling plate using the
hex nut.



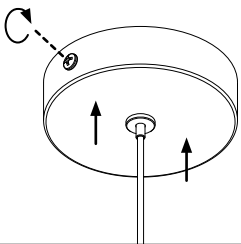
STEP 3
Insert the suspension
cable through the nipple,
then through the boss.
Pull through the hole on
side of the boss.



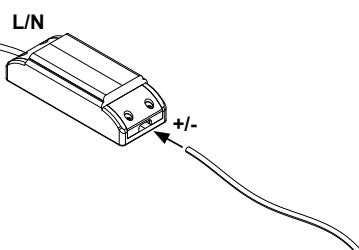
STEP 4
Insert the power cable
through the ceiling
plate, then through a
pre-drilled hole in the
ceiling.



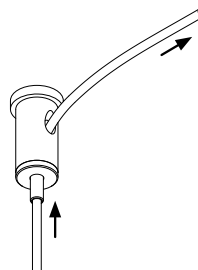
STEP 4
Screw suspension
attachment to the
mounting screw on the
Forton profile.



STEP 5
Screw the ceiling plate
to the mounting bracket.
Tighten the power cable
as required.



STEP 6
Connect the power
cable to the DC outlet
of the external driver in
ceiling.



STEP 5
Pull the cable through
the boss to achieve
required drop length.