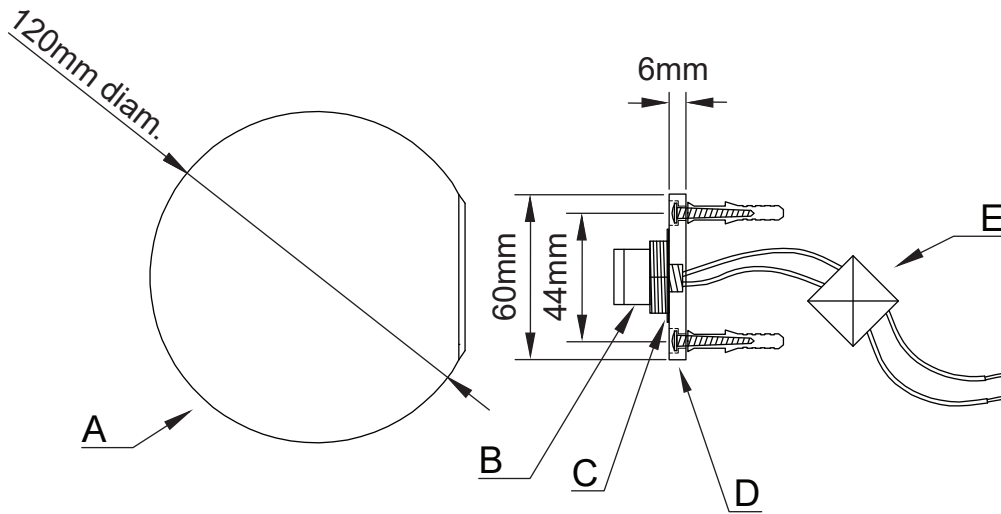
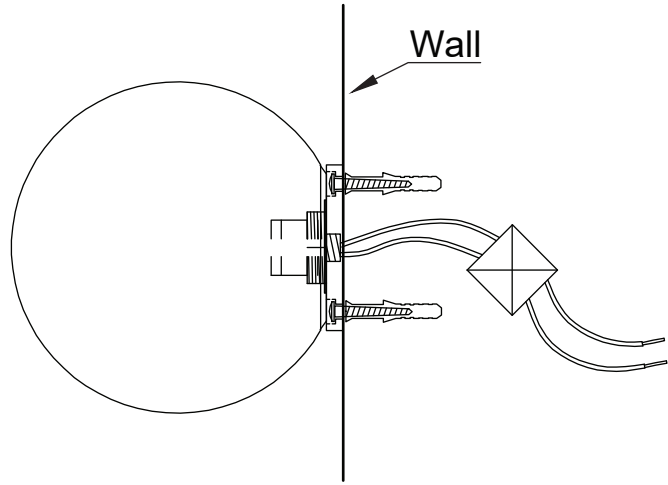


# FORTE 12V V2



- A: Opal Glass ball
- B: LED module, 1\* 2W LED chip 3000K
- C: PVC washer
- D: Alluminium base
- E: EXTERNAL Driver