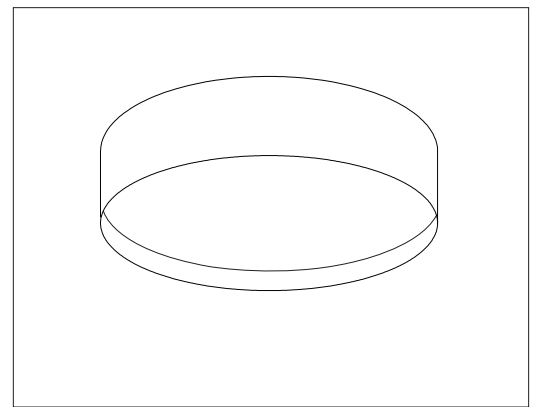
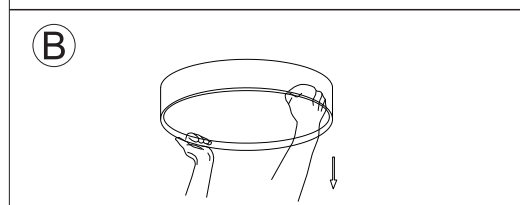
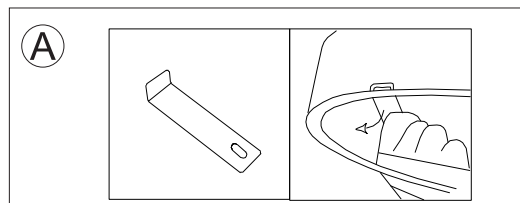
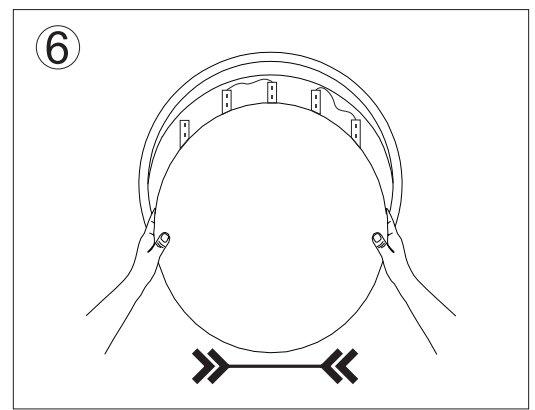
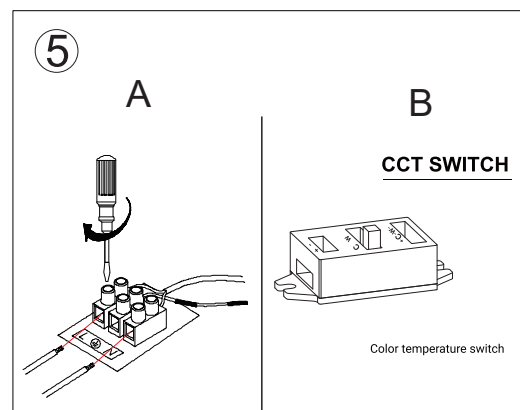
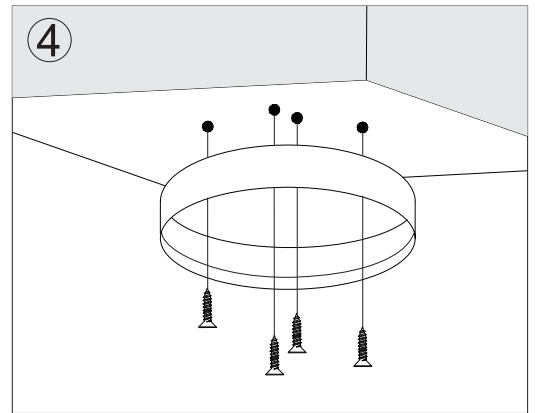
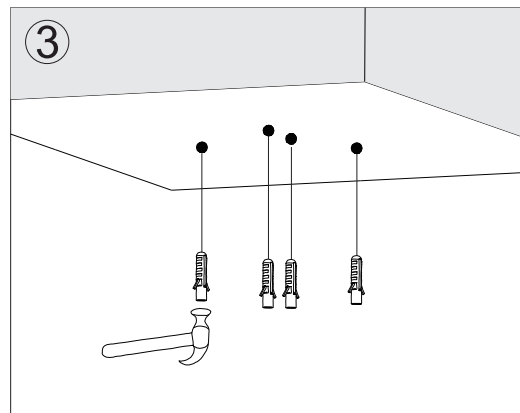
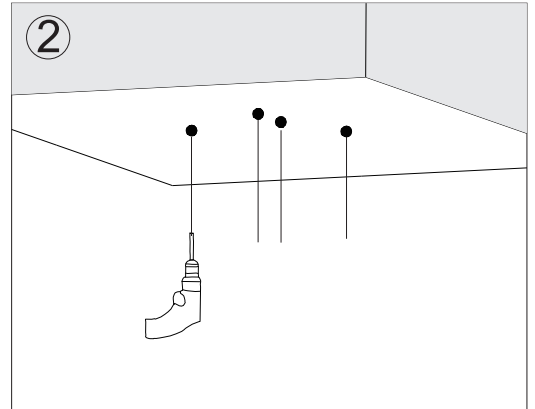
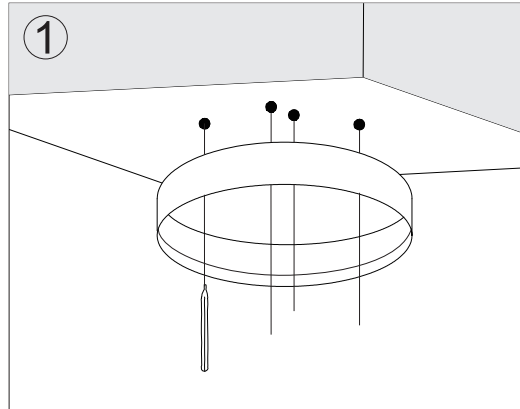


Instruction Manual

TO BE INSTALLED BY QUALIFIED ELECTRICIAN

NAME: BOUND 400 3K/4K BK

CODE:5377-830RCS-BK



ABOUT
SPACE
lighting