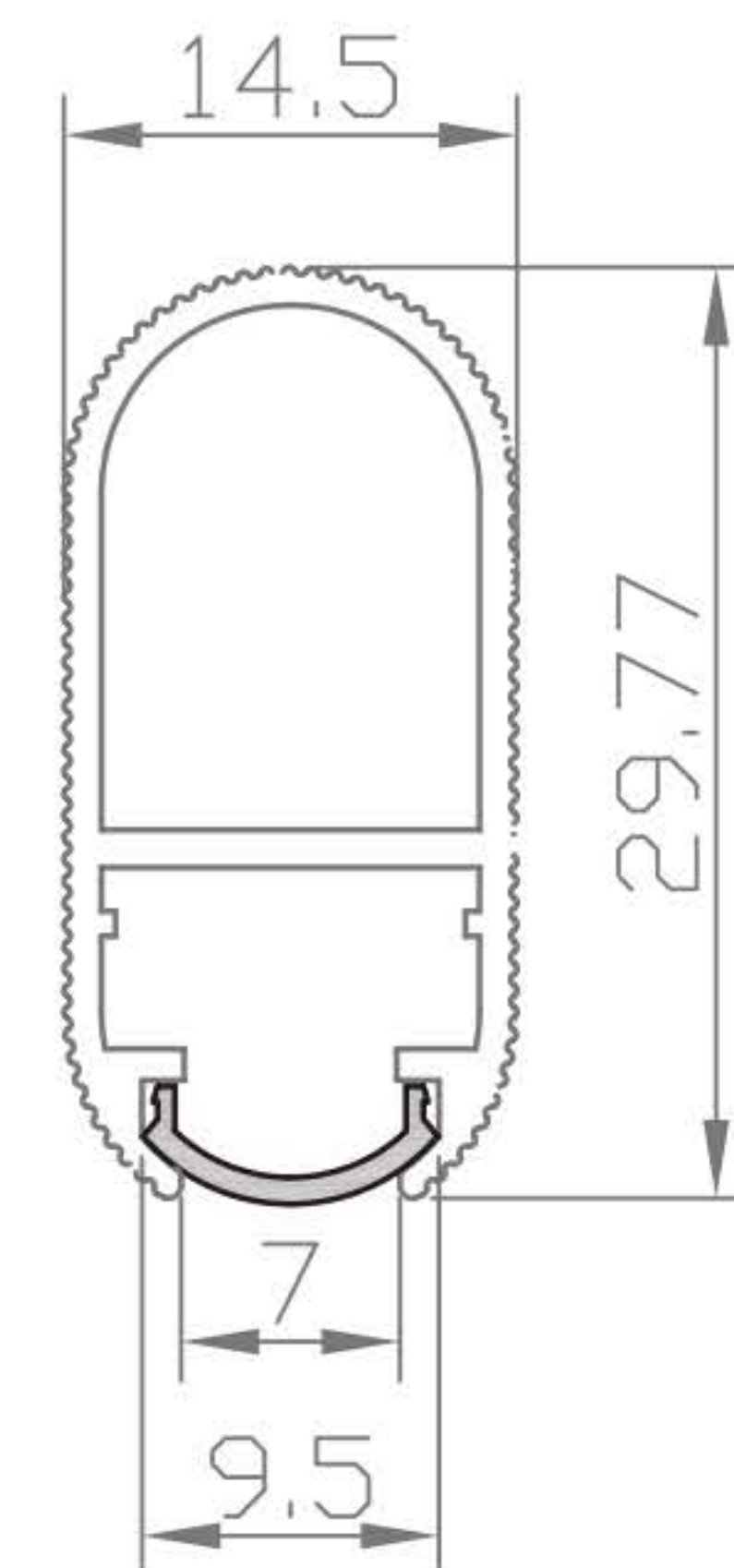


LED ALUMINUM PROFILE



CUSTOM COLORS CAN BE ORDERED



LED Aluminum profile 1~3meter



PC Cover

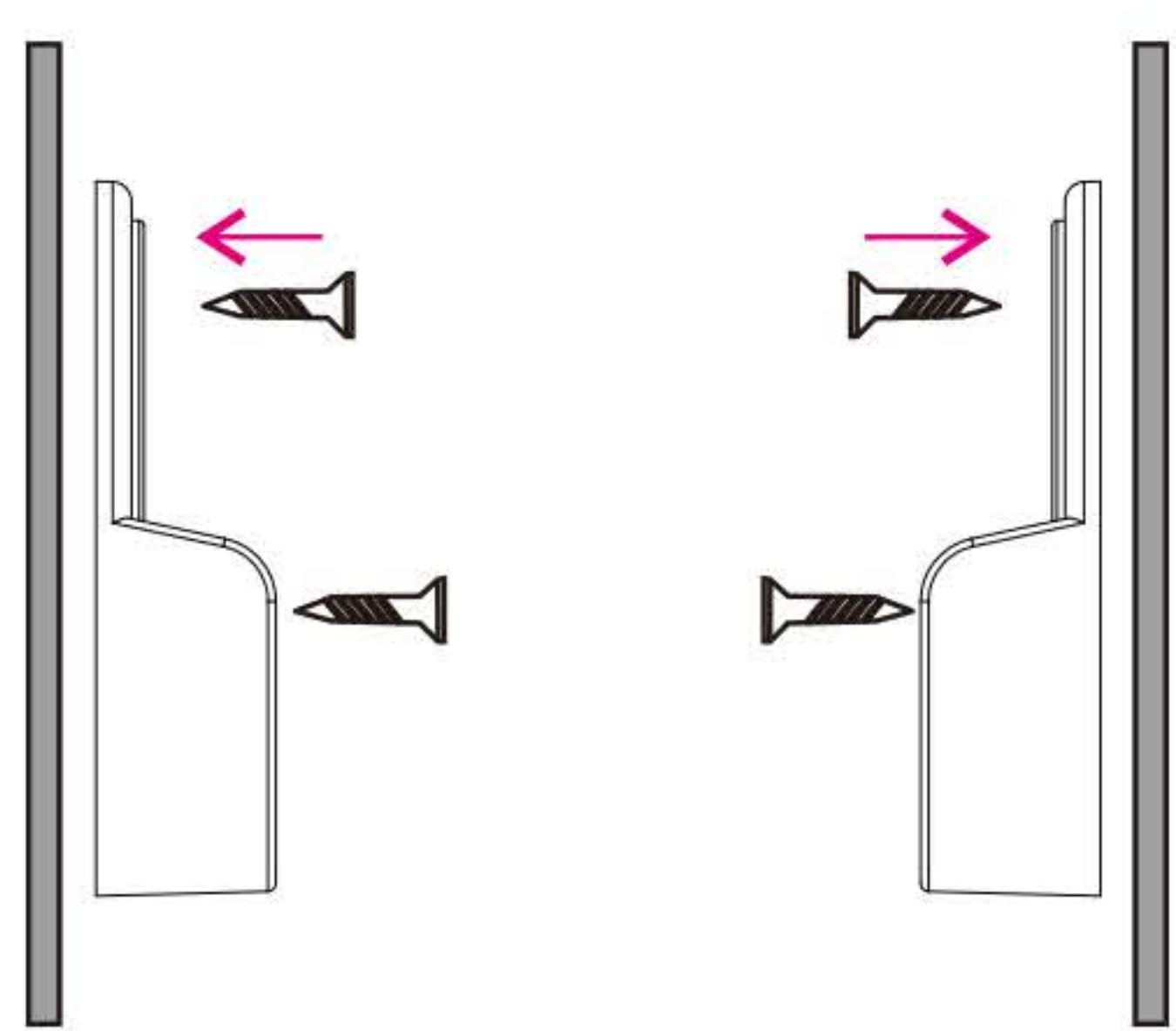


Wall Support Bracket



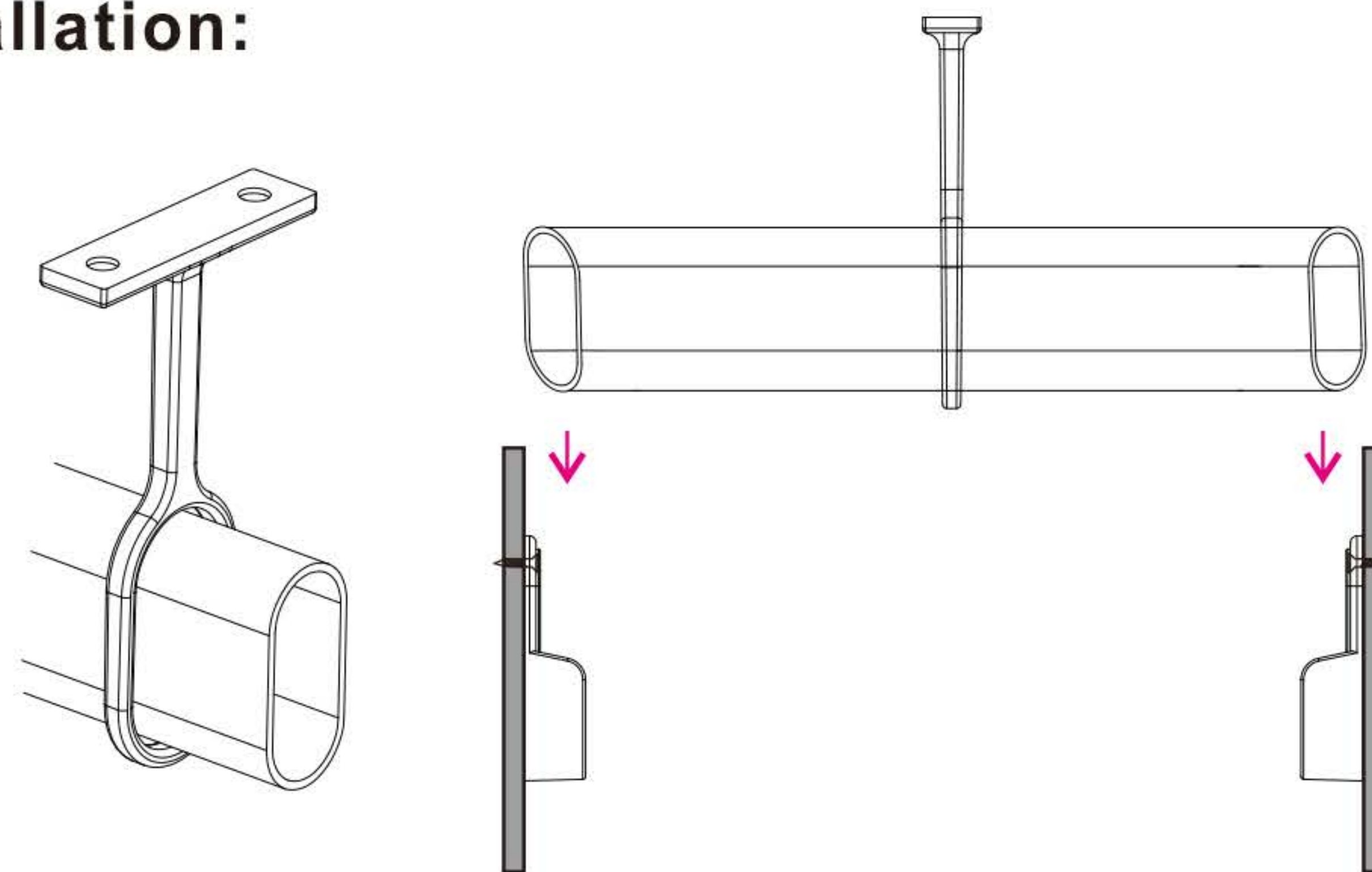
HB hanging bracket(optional)

Service Environment and Installation:



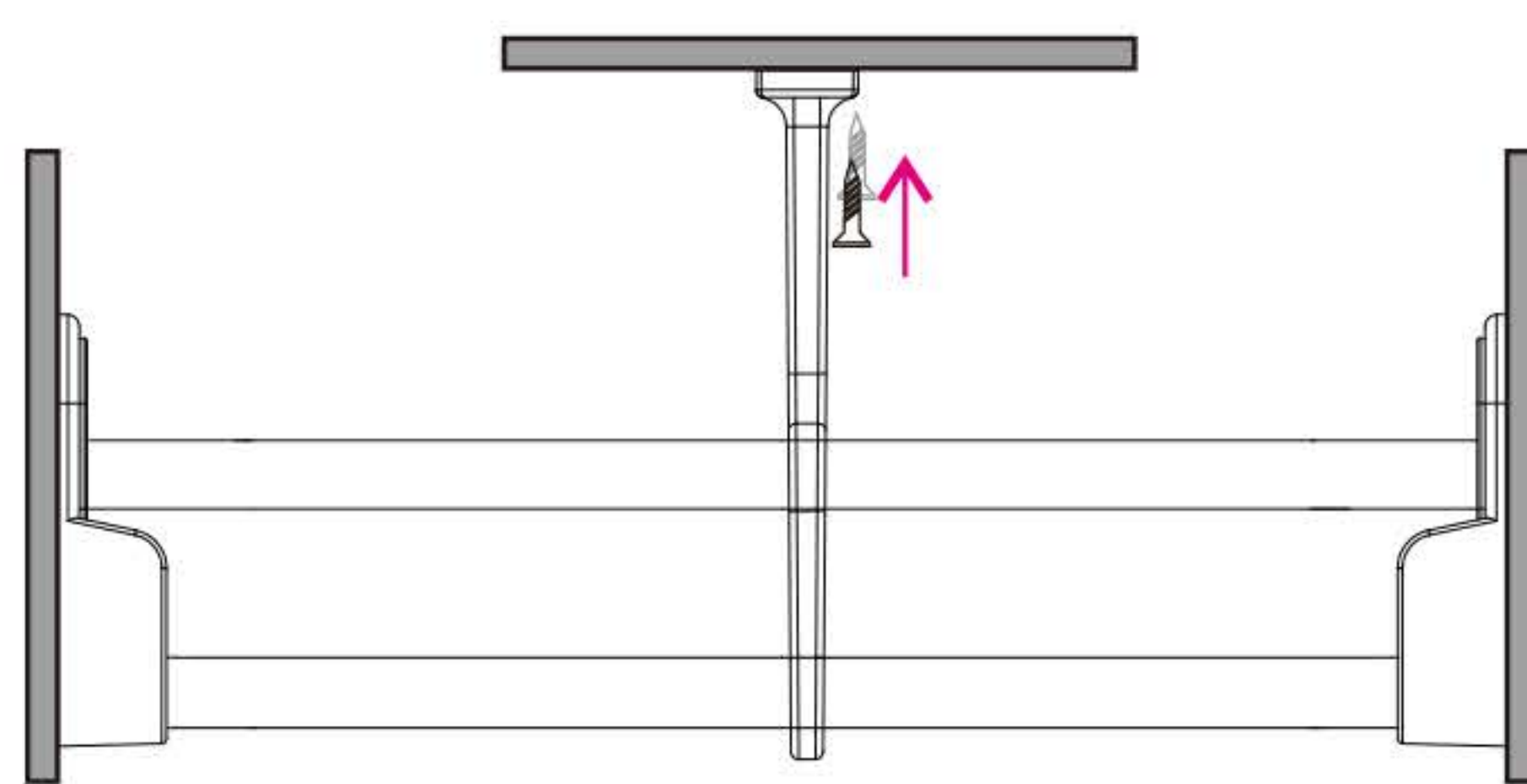
Step 1

Fix the end caps to wardrobe/closet with screws.



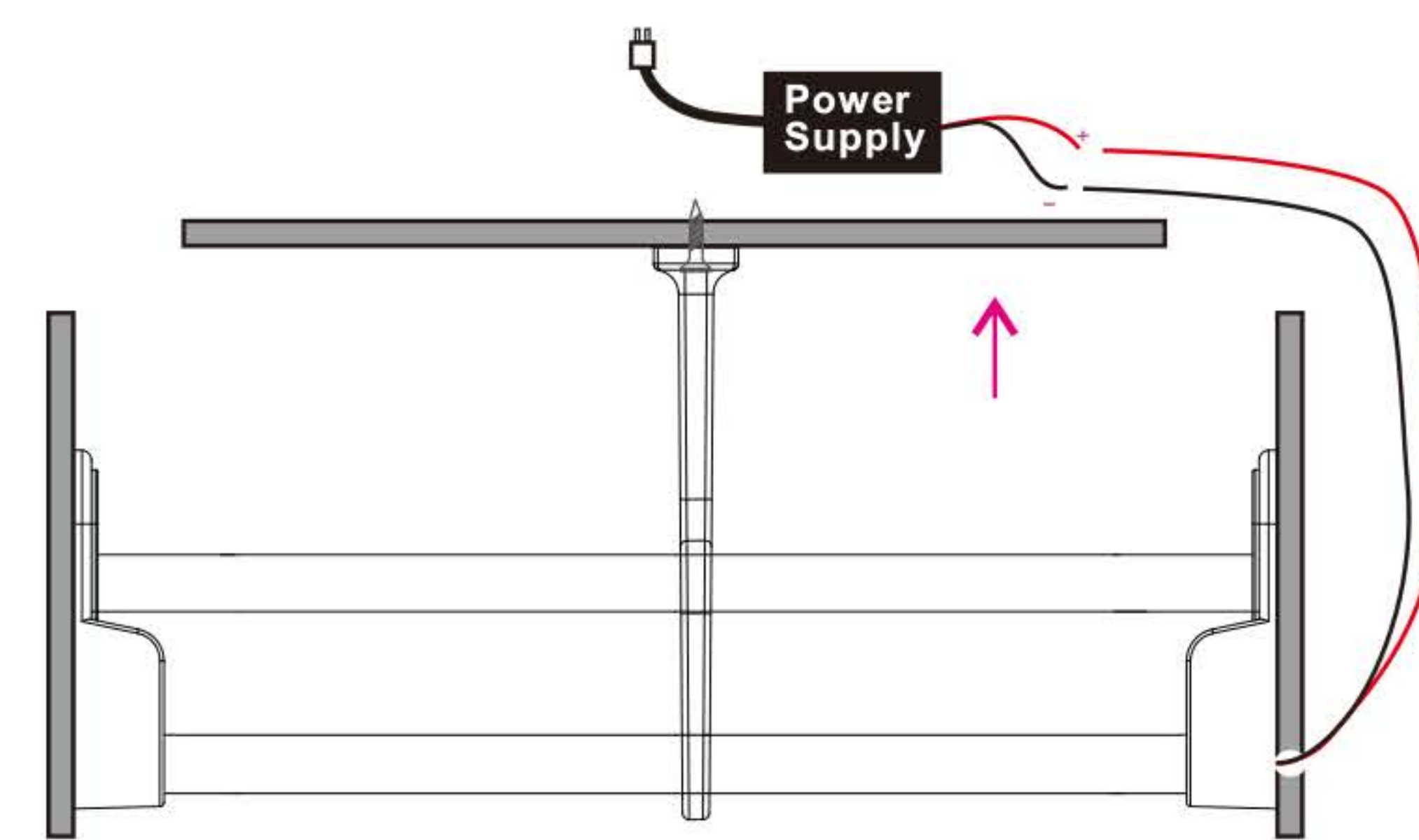
Step 2

Place LED profile R003 through the hanging bracket (if using it) and then rest it into the wall brackets.



Step 3

Fix the hanging bracket with screws. (We suggest that each 50cm length should use 1m for the hanging bracket.)



Step 4

Connect the power supply.

