

# TRONE

#G2ETBCERN-12.WH

GANZA II

Smart Electronic  
Bidet Toilet

INSTALLATION  
MANUAL



# Thank you for choosing TRONE!

Please read and follow the installation instructions below fully and completely during installation. Do not discard this manual and keep it in a secure location for future questions or maintenance.

## WARNING

Improper use of this Electronic Toilet Bidet Combo may result in serious injury or death. Do not use in a wet or damp place, such as a shower or sauna, as it may cause electric shock. This Electronic Toilet Bidet Combo should only be plugged into a grounded 120V GFCI protected outlet to prevent electrical shock. Do not use a damaged plug or cord or insert into a faulty outlet to prevent fire or personal harm.

## CAUTION

Improper use of this product may result in personal injury or property damage. Always follow these installation instructions. Improper installation may result in water damage, electrical shock, or fire.

## PREPARATION

Before installation begins, please confirm that you have the materials indicated below:

### INCLUDED



**Electronic Bidet**



**Remote Control**



**Installation Manual**



**Wax Ring**



**Valve Stop**



**Battery Back Up**



**Batteries**



**Junction Block**

### NOT INCLUDED

3/8" x 1/2" water supply line

\*\*This Manual is subject to change without notice.

## RECOMMENDED TOOLS



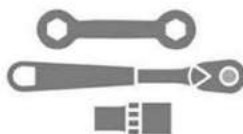
Pencil



Masking  
or Painter's  
Tape



Tape Measure  
or Ruler



7/16" Ratchet or  
Deep Socket  
Box Wrench



Carpenter's Square  
or Other Straight  
Edge

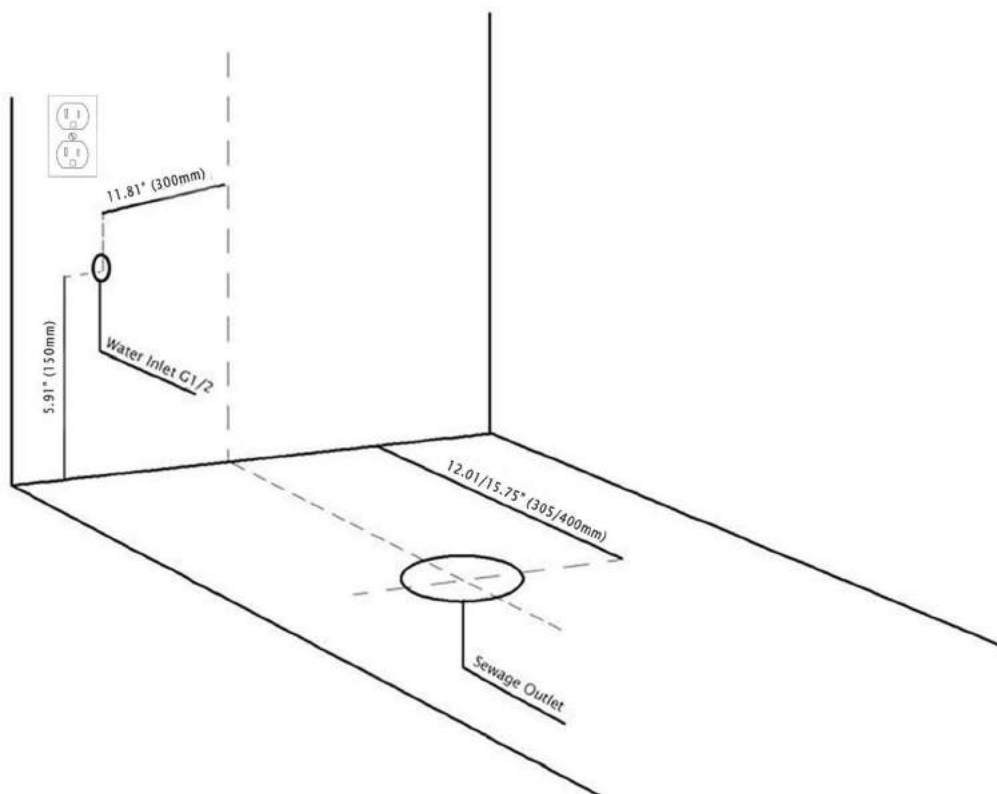
## INSTALLATION

### PRECAUTIONS BEFORE INSTALLATION

Please give enough allowance for the installation. Ensure that there is room enough for the opening and closing of the bathroom door. Please see diagram below for product placement measurements.

Please confirm the location of the sewage outlet and the wax ring as indicated below before installation.

### SPACE STRUCTURE OF THE BATHROOM



# INSTALLATION REQUIREMENTS

## WATER PRESSURE

- Minimum static water pressure: 20.31 psi (0.14 MPa)
- Minimum water flow: More than 1.4 gallons per flush (5.28 liters)
- Please make sure to meet the two conditions above when using the toilet parallel to a faucet or other water equipment.

## INSTALLATION DRAWINGS

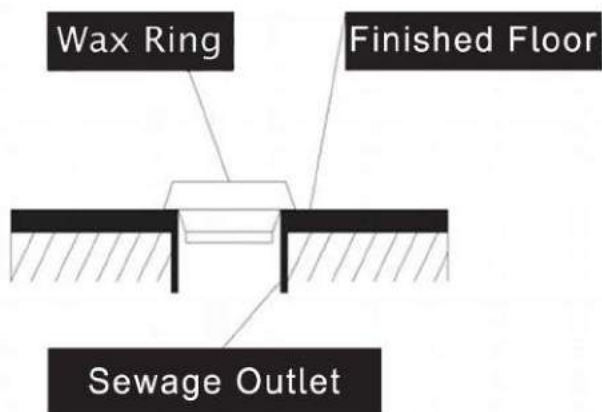
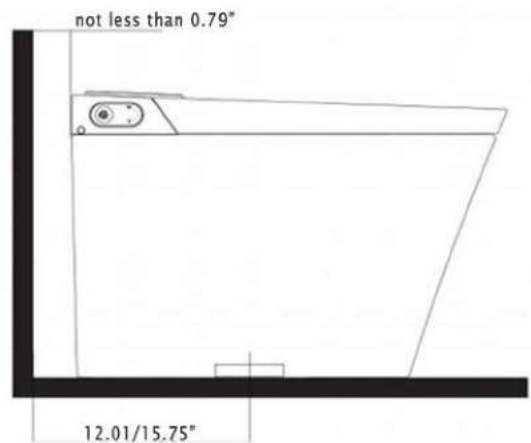
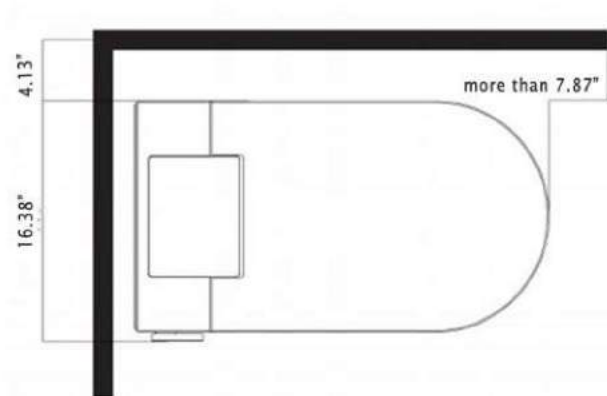


Figure 1

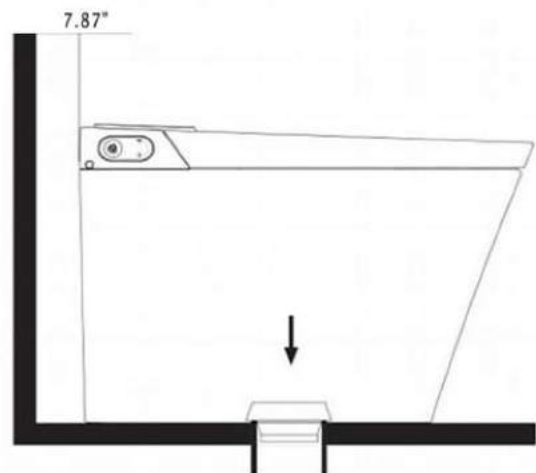
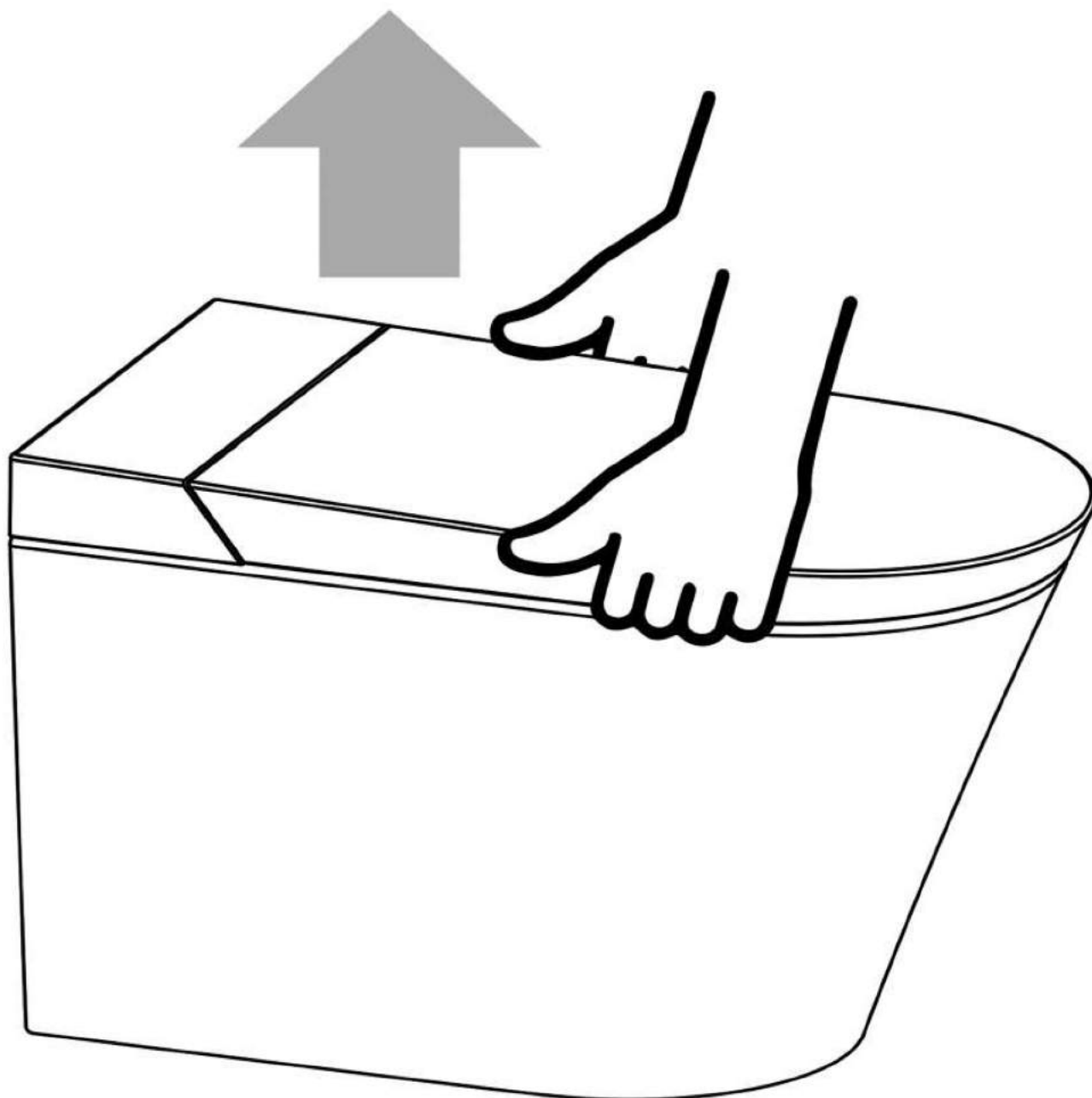


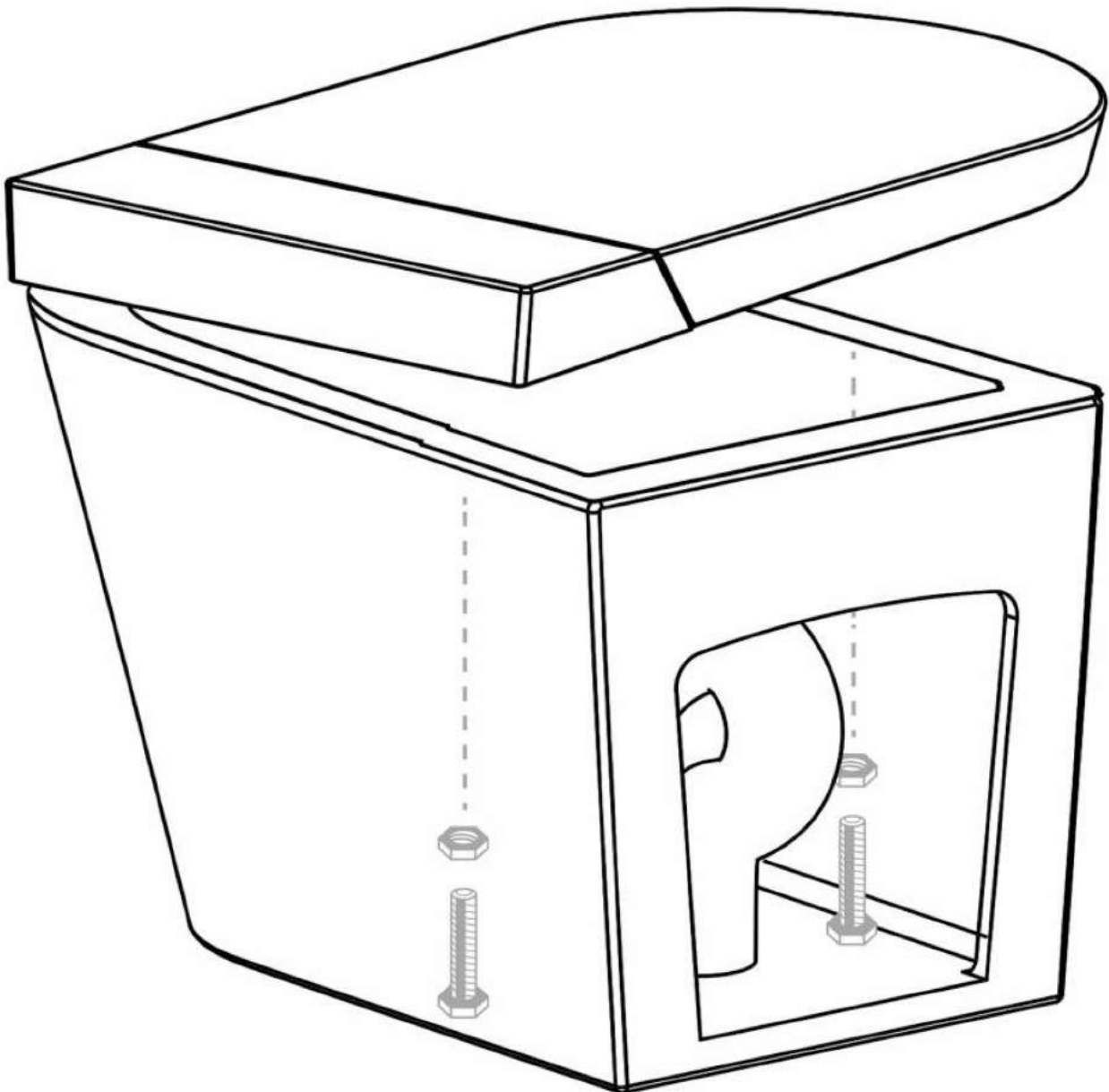
Figure 2

## INSTALLING THE TOILET

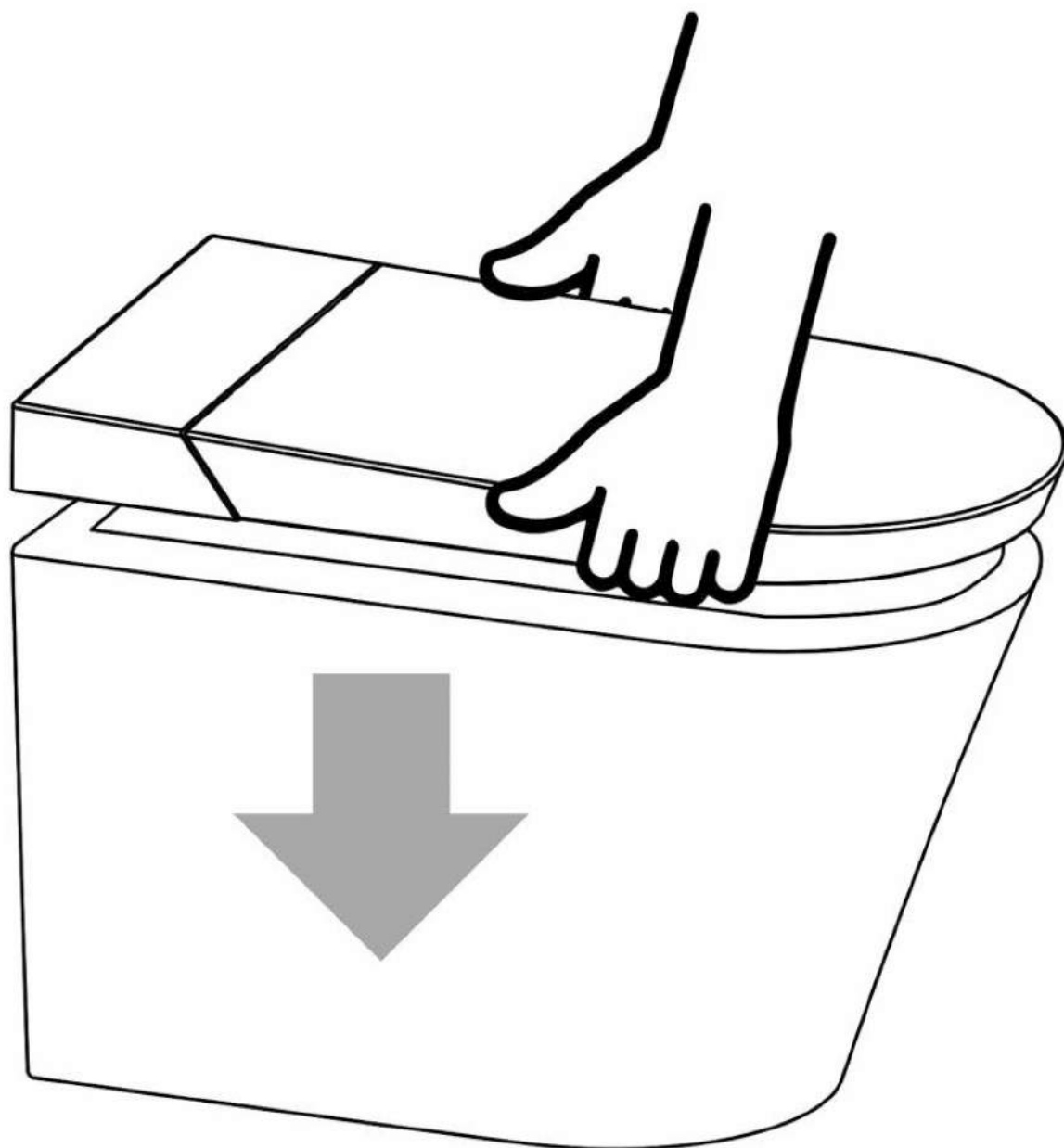
1. Place the wax ring over the closet flange making sure it is centered, with the flange down (see Figure 1 above). Install the closet bolts.
2. Remove the Electronic Bidet Seat by pulling upwards firmly on the back of the seat until it releases.



3. Gently set the Bidet Seat across the toilet bowl and out of the way as much as possible.
  4. Lift the entire electronic toilet bidet unit and place it over the wax ring. (TRONE Recommends using two people to lift and set this toilet).
  5. Line up the holes in the bottom of the bowl with the Closet Bolts previously installed in the Closet Flange and set the bowl gently in place (see Figure 2 above).
  6. Place the included Closet Washers over the Closet Bolts and hand tighten the Nuts in place.
  7. Secure the Bowl in place by tightening the nuts down, alternating from side to side using a ratchet wrench or similar.
- \*Do not over tighten as you may crack the porcelain/base. If there is still movement once tightening is done, shims may need to be used to account for an unlevelled floor.



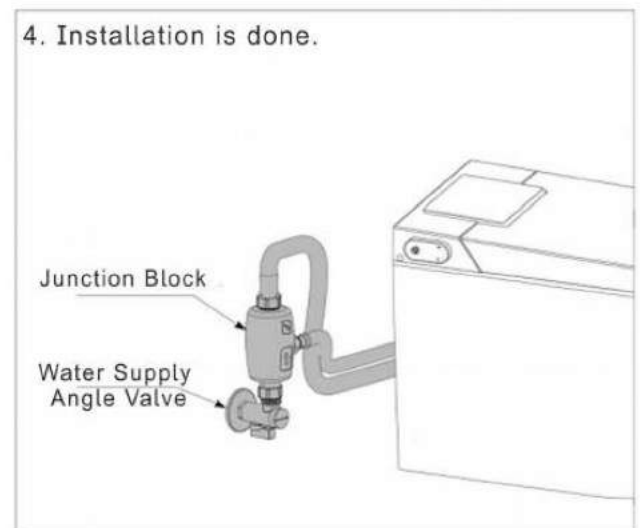
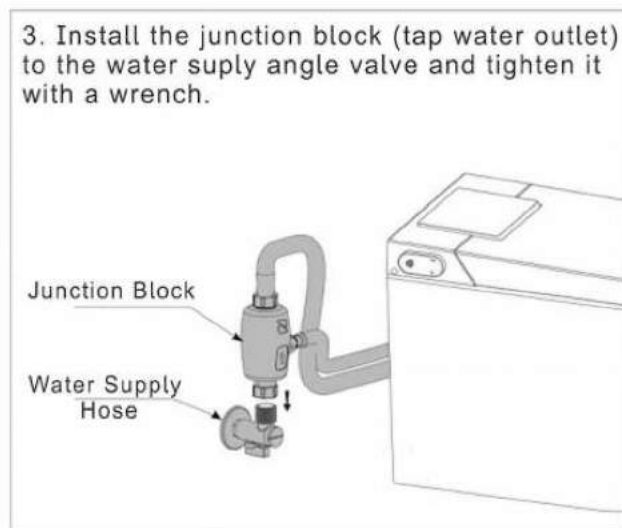
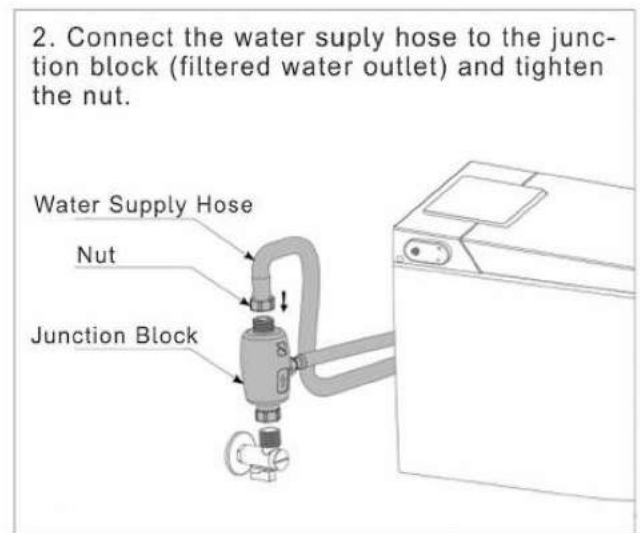
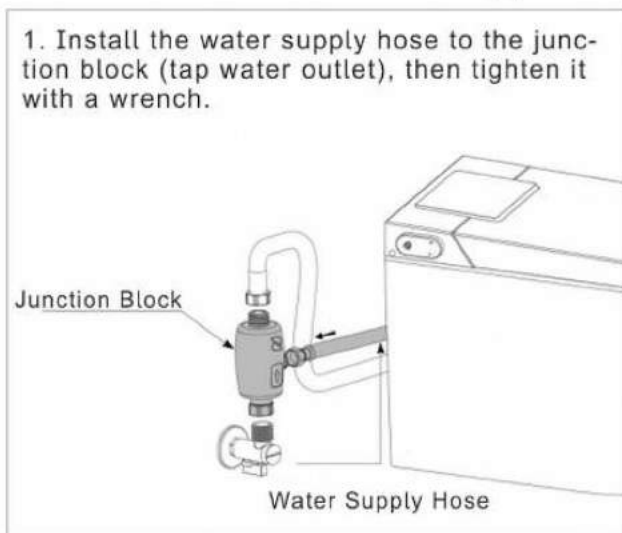
8. Double check all water lines are properly connected.
9. Double check the battery back up is hooked together.
10. Replace the Bidet Seat by lining up and inserting the seat pegs back into the designated holes they were in for step #2



11. Plug in the cord and reset the GFCI by pushing the larger of the two buttons on the plug.  
\*\* If there is power to the Electronic bidet, It will automatically run through a cleaning cycle to insure all functions are working properly.

## CONNECTING THE WATER SUPPLY

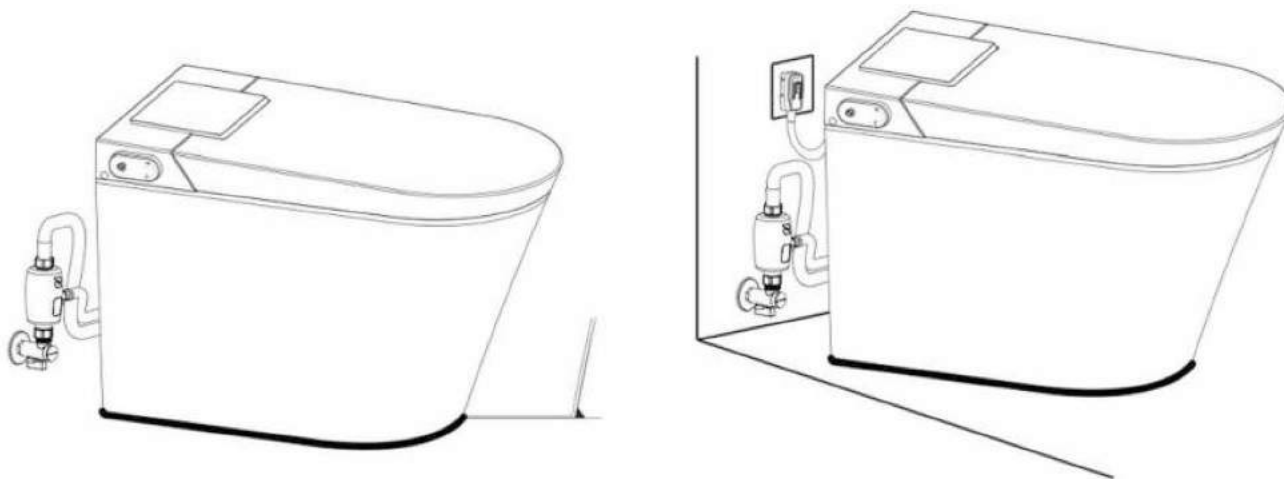
1. Remove the old water supply angle valve and install the new one that came with the toilet. Ensure to turn off the main water valve before removing the old supply or angle valve.
2. Install the angle valve properly together with the water supply hose (not included). Prepare a basin or container for draining. Open the angle valve to drain for one minute. This will drain the dirty water inside the pipe.
3. Turn the angle valve off but open the main water supply valve to check for leakages.
4. Connect the angle valve, the water supply hose, and the junction block following the sequence below.





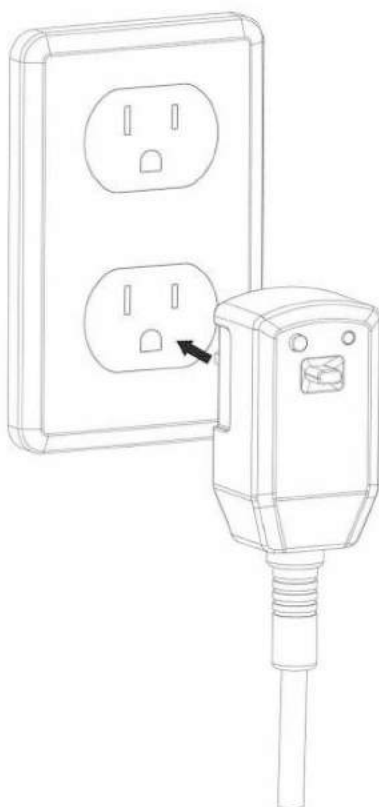
## CAULK APPLICATION

Caulk the bottom edge of the toilet with a mildew-resistant caulk designed for indoor bathroom applications. This will help to keep the bowl in place and give the closet bolts added security and strength.



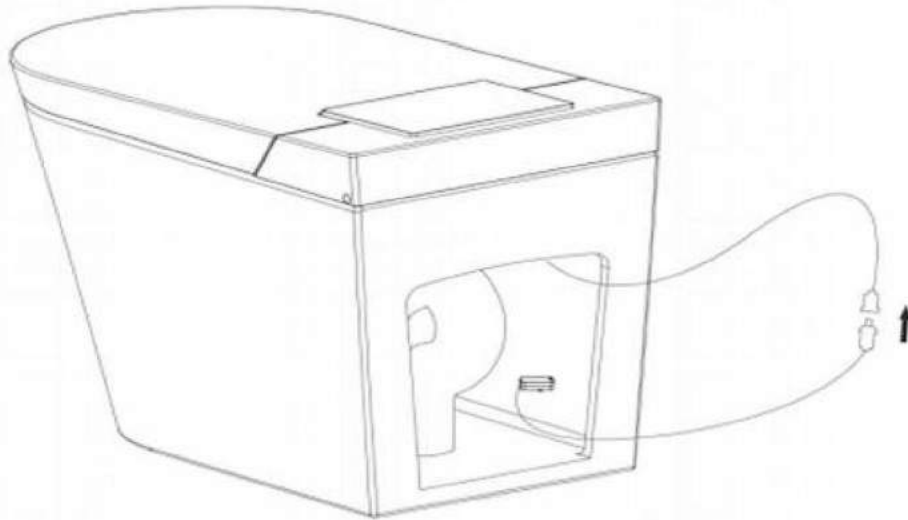
## CONNECTING THE POWER CORD

Open the angle valve and connect the power cord plug to the power outlet. The power cord plug must be connected to a wall socket with a safety grounding device in AC 120V, 16A, 60Hz.



## BATTERY INSTALLATION

1. Take the cable out as illustrated below. It is attached to the back of the product; peel it off gently.
2. Connect the waterproof DC power plug and tighten the waterproof cap.
3. Place the battery case in its position as shown below.

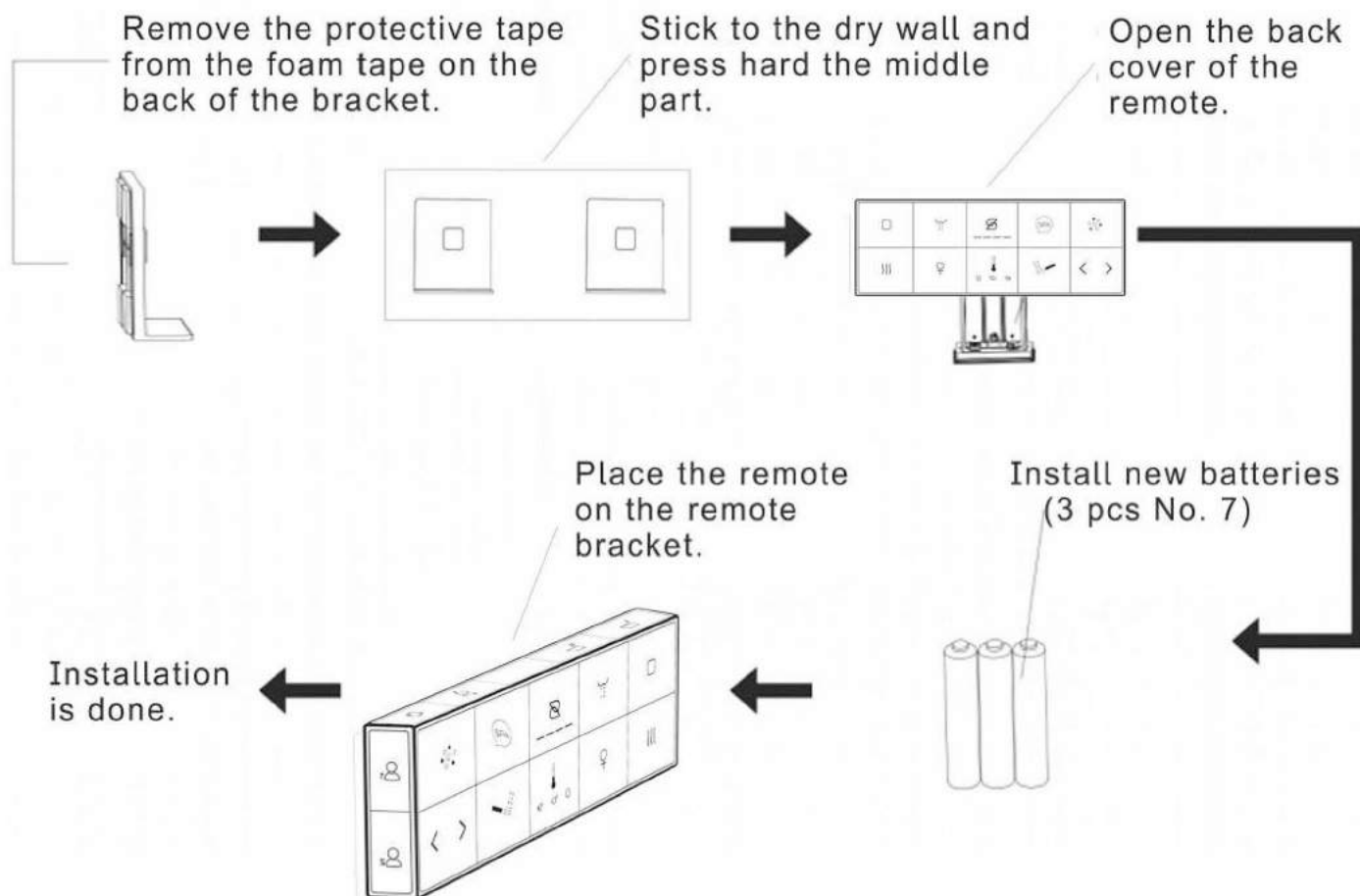


## REMOTE INSTALLATION

1. Peel the protective tape of the foam tape at the back of the bracket and stick it to the selected dry tile or glass.
2. Open the back cover of the remote and place three pieces of new No. 7 alkaline batteries.
3. Place the remote on the remote bracket.
4. Installation is complete.



Please refer to the diagram below for specific steps of the installation.  
\*Choose an installation spot for the remote far from the water's reach.  
\*The remote should be installed in an easy-to-reach area even when you are sitting on the toilet.  
\*Remove any obstacles around the product.



# TRONE

Installation Guide for  
Electronic Bidet with  
Integrated Toilet  
#G2ETBCERN-12.WH

GANZA II

