

# TRONE



## Fountina

### Smart Electronic Bidet Toilet

#### Features:

- Clean, skirted bowl design with elongated front for more comfort
- Heated, slow close toilet seat
  - adjustable temperature
- Automatic deodorization
- Self-cleaning spray wand
- Rear / front spray cleaning
  - adjustable pressure, temperature, and position
- Massage spray option
- Automatic wand cleaning
- Pre-soak function activated before each use
- Instant warm water heating, tankless design
- Warm air drying with adjustable temperature
- Automatic flush
- Night light
- Wireless remote control with back up controls on seat
- Water saving design, 1.28 GPF
- Battery backup to allow flushing when power is out

An all-new perspective is coming your way; right into your very own bathroom with the Trone smart toilet bidet combo. Featuring dual nozzles on adjustable spray wands, you can experience a more personalized and sanitary cleaning for both males and females when your time in the bathroom is complete. Temperature, pressure, and position of spray are all adjustable to find the perfect experience. A warm air dryer will cater to your preferences as you dry off from life changing sensation that only an electronic bidet-toilet can offer.

# Fountina

## Technical:

Included – bidet with integrated bowl, remote control, shutoff valve with flow restrictor, filter cartridge, hoses to connect shutoff and filter to bowl, power cord

Materials - ceramic bowl with polypropylene seat and cover

Shipping weight – 92.4 lbs

Product weight – 77 lbs

Installation – standard 12" rough-in design

Rated Voltage – 110 V AC, 50/60 Hz. 1280 W

Cord length – 60"

Water usage

Flush – 1.28 GPF

Spray – 0.13-0.23 GPM

**Warranty:** 1 year from date of purchase

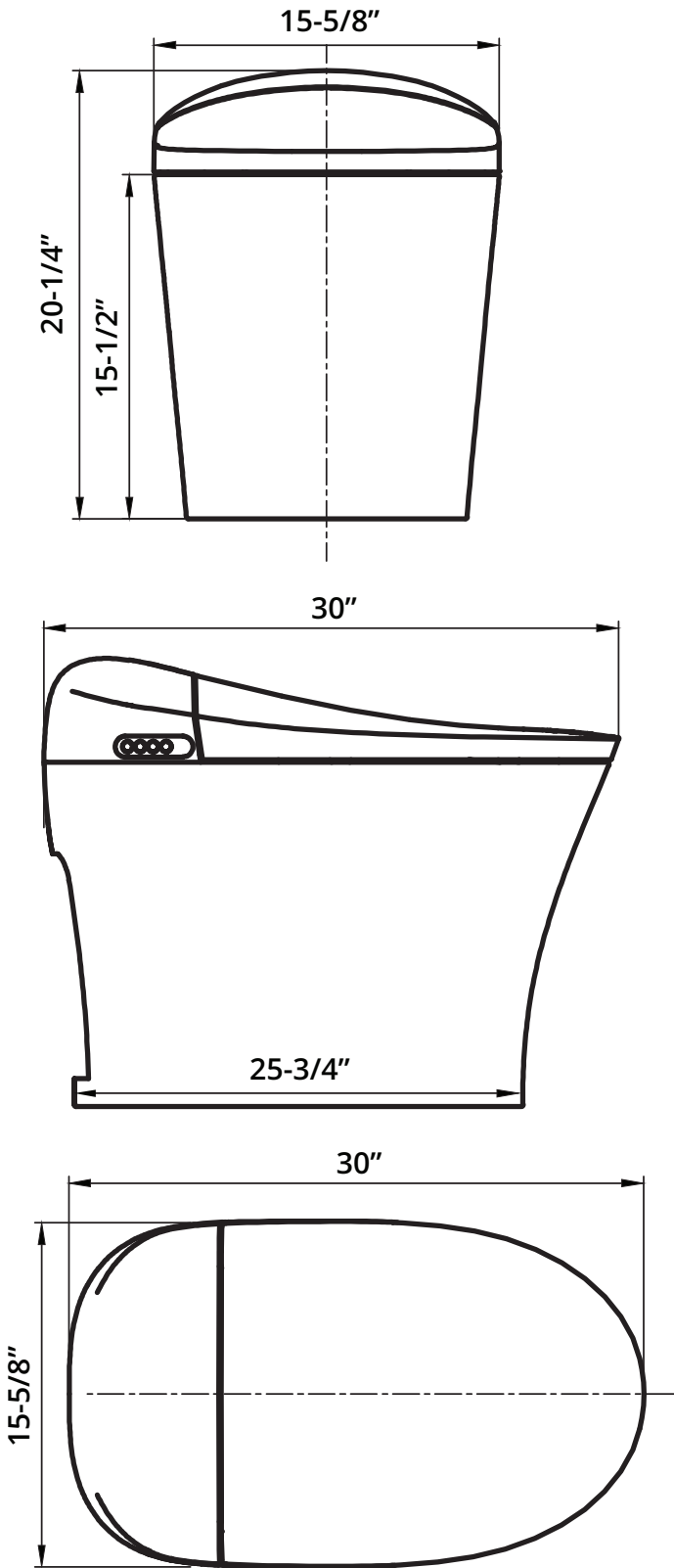
## Certifications:



Fountina  
FETBCERN-12.WH



748079803534



# TRONE