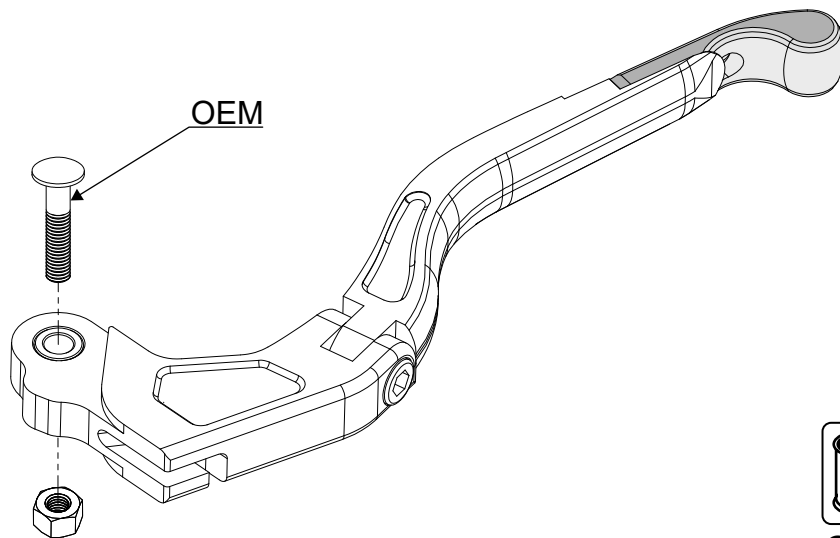


Performance Techology consiglia di far effettuare il montaggio da un meccanico specializzato  
 Performance Techology recommends to have the installation done by a specialized mechanic

MADE IN ITALY

## FRIZIONE CLUTCH



## FRENO BRAKE

