

AIR *Water* LIFE

Advanced Air & Water Technologies for Better Living

AQUA-IONIZER DELUXE 7.0

WATER IONIZER

AirWaterLife.com



AWL-7000

Read Carefully
Before Initial Use.



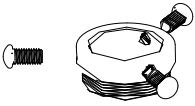
Retain Manual for
Future Reference.

OWNER'S MANUAL

Table of Contents:

- Included with Your Water Ionizer/Parts & Supplies 01
- Water Ionizer Assembly Overview 02
- Safety Instructiona & Symbols 03
- Technical Specifications 10
- Installation Schematic & Instructions 12
 - 1. Identify Required Connector/Attach Faucet Diverter Valve. 13
 - 2. Install the Inner Carbon Filter 15
 - 3. Connect Inlet & Outlet Hoses 17
 - 4. Attach Metal Spout 17
 - 5. Connect the Inlet Water Hose to the Faucet Diverter Valve 17
 - 6. Check for Leaks 18
 - 7. (Optional) Wall Mount Your Water Ionizer. 19
 - 8. Plug In the Water Ionizer. 21
- (Optional) pH Testing 21
 - 1. Factory pH Value Presets 21
 - 2. Impact of Environmental & Other Factors on pH 21
 - 3. Conducting pH Testing 22
 - 4. (Optional) pH Retesting 23
- Understanding the LCD Display 24
- Understanding Your pH Presets 25
- Selecting Your pH Preset & Dispensing Water: 26
- Automatic Cleaning Function 26
- Enhanced Cleaning Function 27
- Manual Cleaning & Descaling. 30
- Problems & Solutions 31
- Warranty Information. 33

Included with Your Water Ionizer/Parts & Supplies:



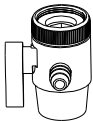
3-Bolt Faucet
Connector
(1)



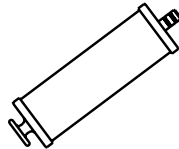
Inner Tread
Faucet Joint
(1)



Dual-Tread
Faucet Connector
(1)



Faucet Diverter
Valve
(1)



Carbon
Water Filter
(1)



Flexible
Metal Spout
(1)



Water Hose: Cut to Form Inlet Water
Hose and Acidic Water Outlet Hose
(1, Cut to form 2)



Quick-Connect Valves
Pre-Installed Bottom of Water Ionizer
(2)



Plastic Expansion
Screw Anchors
(2)



Stainless Steel
Screws
(2)



Drill Mounting
Guide
(1)



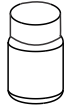
pH Reagent
(1 bottle)



pH Value
Detection Bottle
(1)



pH Color Chart
(1)



Descaling Agent
(1)

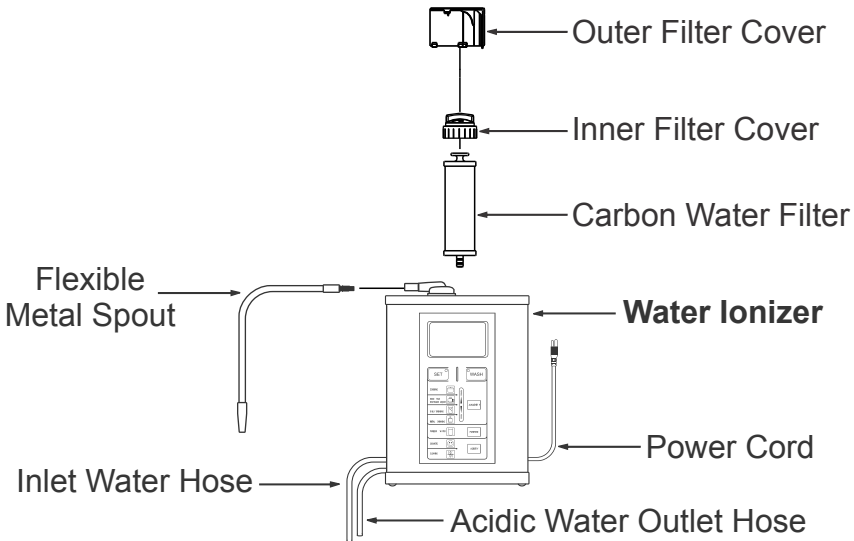


Owners Manual
(1)



Important Note: As a result of minor technical or aesthetic changes some ionizer parts may appear slightly different in appearance or color than depicted on product packaging or in this manual. Should this occur, the part(s) remain usable and should be installed and used in accordance with this product manual.

Water Ionizer Assembly Overview:



Safety Instructions & Symbols:



Avoid the specified action as it may destroy the unit, cause serious injury or even death.



Avoid the specified action as it may damage the unit or cause serious injury.



Do NOT perform the specified action.



The specified action is very important and must be completed for the unit to function properly.



Most City Water in the USA Works Great

Source Water Requirements - Please pay attention to the source water requirements outlined below prior to install and operating your water ionizer...

- The source water entering water ionizer must meet applicable local standards that make it suitable for drinking. Despite the unit's built in water filter, it should **NOT** be attached to a water source not intended for drinking. The purpose of the carbon filter is to remove residual chlorine, other chemicals, and odors from water already suitable for human consumption in order to improve its taste. The filter is **NOT** intended as the sole purification source for water that does not meet these standards. Attempting to use the water ionizer in this manner will void the warranty, reduce the unit's performance, shorten its operational life and could jeopardize the health and life of anyone drinking water that could potentially still be harmful.
- The water flow entering the water ionizer from the source water connection must be 0.8 Liters per minute or faster for the water ionizer to operate properly. If the water flow is too slow, the water ionizer may not be able to induce water flow and therefore cannot start normally. If your municipal or other water source flows slower than 0.08 Liters per minute, you may need to install a booster pump.
- The pressure of source water that goes into the unit must be under 43.5 pounds per square inch (psi) / 0.3 megapascals (Mpa) for your water ionizer to operate properly and to avoid damaging the unit. If your water pressure is higher than this, you should install a water pressure reducer to lower the source water pressure before it's fed into your water ionizer.

 **CAUTION**

**If you have an RO System installed please call
888-601-5886
for help if your Water Ionizer does not work.**

 **IMPORTANT**

 **DO NOT**

Do Not install your water ionizer in any of the following locations...

- Near an open flame, in direct sunlight or anywhere temperatures could exceed 140° F (60° C);
- Near flammable liquids;
- Outdoors or any place where the unit could be directly exposed to rain, snow, high winds or other weather elements;
- Saunas or other facilities with unusually high levels of humidity levels; or
- Any spot where water or other liquids might drip on the unit's exterior.

 **WARNING**

 **IMPORTANT**

To avoid electrical shock and fire hazards...

- Be sure the electrical plug is seated fully in the power outlet.
- **Do NOT** bend, pinch, clamp, place heavy objects upon, modify or otherwise damage the unit's power cord or plug.
- **Do NOT** plug the unit in if the cord, plug or the outlet is damaged.
- **Do NOT** dragging the unit by its power cord or plug.
- Be sure the electrical plug is seated fully in the power outlet
- Contact a qualified electrician immediately if the cord or plug becomes damaged.

**WARNING****IMPORTANT**

- **Do NOT** share the electrical outlet used for your ionizer with other electrical appliances.
- Use only alternating current 120V power supply. Exceeding the rated power range may damage the unit and/or cause a fire.
- **Do NOT** attempt to plug in, unplug or otherwise operate your water ionizer if your hands are wet.
- **Do NOT** submerge the unit in water nor use alcohol, flammable, toxic or corrosive chemicals when cleaning this unit. You should clean the exterior of your water ionizer use slightly damp cotton cloth with a small amount of dish washing liquid.
- If the unit falls into or is doused by water or any other liquid, immediately pull it's powerplug from the electrical outlet.
- This appliance is not intended for use by persons (including children) with reduced physical, sensory or mental capabilities nor by individuals with otherwise limited knowledge, skills and abilities regarding the operation of electrical appliances in general and water ionizers in specific unless they have received supervised and/or written instruction (such as this manual) in their safe operation.
- Young children should be supervised when attempting to operate the unit.

**CAUTION****DO NOT**

- **Do NOT** place your water ionizer less than 3 feet from your oven, furnace, space heater or any other active heat source or device.
- **Do NOT** disassemble, attempt to repair or modify your water ionizer. This should only be done by a professional service technician.

**CAUTION**

- If you have existing water hoses from a previously owned water ionizer or other water dispensing, filtration or purification device, these hoses should be discarded and the new hoses provided with your new water ionizer should be used instead.

**WARNING****IMPORTANT**

Health Issues: If any of the following apply to you, please consult your physician before drinking, or continuing to drink, ionized alkaline water...

- You have kidney diseases, renal failure and/or have difficulty discharging potassium in which case you should generally NOT ingest alkaline water.
- You are receiving medical treatment for another disease or illness;
- You are chronically ill or otherwise in very poor health;
- Your health appears to deteriorate after you've begin drinking alkaline water;
- Previously existing health issues do not improve despite continuously consuming alkaline water.

**CAUTION****IMPORTANT**

Beginning to Drinking Alkaline Water: Your body may take a while to get used to alkaline water...

- When drinking alkaline water for the first time, dispense the water using your unit's **"Initial Drinking"** setting and consume only small amounts, 8 to 16 ounces (0.25 to 0.5 Liters) per day.
- Continue this practice for at least 2 weeks prior to advancing to your unit's higher pH vale **"Daily Drinking"** setting at which time you should try to consume 32 to 64 ounces (1 to 2 Liters) of alkaline water per day.
- Attempting to drink higher pH value water before your body becomes used to alkaline water can result in temporary digestive, dermatological or other health related problems.

**CAUTION****DO NOT**

Alkaline Water & Medications: Do **NOT** drink alkaline water prior to, with or immediately following taking pills or other medications. Instead, use your unit's **"Purifier Water,"** i.e., filtered but not ionized, water setting. As a general rule, you should not consume alkaline water with 45 mins. to one (1) hour either before or after taking medication.

! IMPORTANT

Storing Ionized Water: Under normal temperature conditions, alkaline water stored properly in a sealed, insulated container will retain its ionized properties for at least 24 hours and upto 48 hours when refrigerated.

- **Do NOT** store ionized water in metal containers. It should only be stored in plastic, glass or ceramic containers.
- Exposing the container to direct sunlight may shorten the period that alkaline water is able to retain it's ionized properties.

⚠ CAUTION

Cosmetic Water Use: When using mildly acidic water from your water ionizer's "**Cosmetic**" setting for skin care, as an astringent or for hair care, please discontinue use and consult your physician if you develop a skin rash or other allergic reaction.

⚠ CAUTION

! IMPORTANT

Pets & Ionized Water: Dogs, cats and other mammals may benefit from drinking ionized water. However, there are a few simple rules:

- Especially if your animal has any preexisting health problems, consult your local veterinarian before giving them alkaline water and/or following any negative health reaction to alkaline water.
- Start them off slowly on "**Initial Drinking**" setting and keep them there for at least 2 weeks prior to moving to the "Daily Drinking" setting. As a general rule, it's probably best not to exceed 9 pH.
- **Do NOT** give your pet alkaline water within 45 mins. to an hour before or after meals. Use the "**Purified Water**" setting instead. The higher pH levels can neutralize their stomach acids making it more difficult for them to absorb nutrients.
- As with humans, **Do NOT** give your pets ionized water within 45 mins to an hour prior to, with or after taking medication. Doing so can alter the intended absorption rate of the drug.
- While the "**Cosmetic**" water setting can be used to treat your pet's minor wounds and improve their skin and coat, you should check carefully for any allergic reactions or skin irritation.

 **CAUTION**

Fish & Aquariums: Unless you are an experienced aquarium owner or qualified aquatic life professional, **Do NOT** introduce ionized water to your aquarium without knowing the precise alkaline or or acidic water settings applicable to your particular fish species. Fish may become ill or die if their water's pH balance is changed or changed too quickly.

Exotic Pets: Lizard, snake, turtle, frog and other reptile and amphibian species vary dramatically in the pH levels to which they are suited. Please contact your veterinarian or pet shop owner prior to giving them ionized water.

Plants: Different plants thrive on water of varying pH levels. For example, some plants prefer more alkaline environments while other's perform better in more acidic ones. Consequently, before watering your plants with ionized water, you should determine specifically the type of pH balance most conducive to the growth of your specific plants.

 **IMPORTANT**

Flushing Residual Water: Because a certain amount of water remains trapped in your water ionizer's filters and tubing, you should briefly drain this water off prior to each use.

- In order to runoff any residual water left in your water ionizer, you should generally dispense water from the unit for approximately 15 seconds before each new period of use.
- If you have not used the unit for at least 2 days, you should dispense water from the unit for at least 3 mins before using it.

 **WARNING** **IMPORTANT**

Tainted & Leaking Water: If any of the following occur, stop drinking water from your ionizer immediately and contact an authorized service technician. Not doing so could damage your health...

- Taste or pH testing reveals that water dispensed from the unit which should be alkaline is coming out acidic;
- Residual water appears to be dripping from the unit and/or is discovered to be collecting around the electrodes during routine cleaning and maintenance.



CAUTION



DO NOT

Continuous Operation: Do NOT exceed the following maximum continuous operational time frames for your water ionizer...

- Do NOT operate the unit in "**Initial Drinking**," "**Daily Drinking**" or "**Cosmetic**" mode for more than 60 minutes continuously.
- Do NOT operate the unit in "**Cleaning**," "**Cooking**" or "**Make Teas/Neutralize Liquor**" mode for more than 30 minutes continuously.



WARNING



IMPORTANT

Consumable Water Limits: Though extremely high or low pH water can be used for purposes besides drinking, e.g., cooking food, for cosmetic purposes or household cleaning, etc., Humans, unless directed by their physician for some unusual medical reason should not generally drink water higher than 10 pH nor lower than 7 pH on a regular basis.



WARNING



IMPORTANT

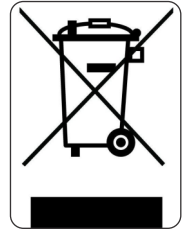
Grounding: Your water ionizer should only be connect to an electrical circuit that is protected by a "**ground-fault circuit interrupter**," (GFCI)...

- This appliance **must be grounded**. In the event of a malfunction or breakdown, grounding will reduce the risk of electric shock by providing a path of least resistance for electric current.
- This appliance is equipped with a cord having an appliance-grounding conductor and a grounding plug.
- The plug must be plugged into an appropriate outlet that is installed and grounded in accordance with all local codes and ordinances.
- Improper connection of the appliance-grounding conductor can result in a risk of electric shock.
- Check with a qualified electrician or service representative if you are in doubt whether the appliance is properly grounded.
- Do not modify the plug provided with the appliance; if it will not fit the outlet, have a proper outlet installed by a qualified electrician.

! IMPORTANT

Waste Disposal: In compliance with the "Waste Electrical and Electronic Equipment Directive"...

- This marking indicates that this product should not be disposed with other household waste throughout the EU (European Union).
- To prevent possible harm to the environment or human health from uncontrolled waste disposal and to conserve material resources, this product should be recycled responsibly.
- To dispose of your product, please use your local return and collection systems or contact the retailer where the product was purchased. The can take this product for safe environmental recycling.



Technical Specifications:

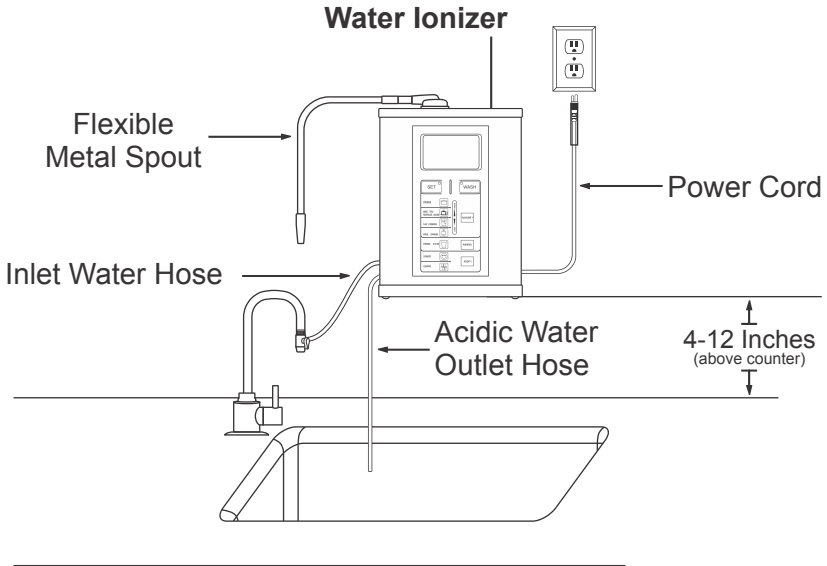
Model.....	AWL-7000
Installation	Countertop/Optional Undersink Kit Available
Number of Plates.....	7
Plate Construction.....	Platinum Coated Titanium
Plate Surface Area	115 square inches
Plate Technology	Long-Life/Low Power Consumption RTI Distinct
Constant Electrolysis	Yes; 60 minutes
Power System.....	Transformer
Voltage	AC 110V/60Hz
Wattage.....	4W idle/200W operating
Rated Power.....	120W*

**Rated Power Consumption indicates the maximum power usage when the unit's "Cooking" setting is engaged, ionized water pH output is constant and rated inflow, water temperature and total dissolved solids (TDS) are at their default value. The actual power consumption varies to maintain a constant pH depending on the inflow rate, water temperature and TDS breakdown of the source water at any given time.*

Technical Specifications: *(continued)*

Max. Operating Temp	60°C / 140°F
Source Water Temp	5° - 40°C / 41° - 104° F
Operational Pressure	14.5 - 43.5 psia / 0.1 - 0.3 Mpa
Water Flow Rate	3 liters per min (adjustable)
pH Levels	7 total: 4 alkaline, 1 neutral, 2 acidic
Adjustable pH	Yes; 4.5 to 11.0; depending on intake source
ORP Range	-840mV to +1000mV
Measurements	8.25 (W) x 13 (H) x 4.3(D) inches
Weight	8.0 pounds
Filter System	Active Carbon Filter
Filter Change Alert	Yes; LCD display
Filter Life	6000 Liters / 1585 Gallons <i>Approx. 1 Yr. with normal usage</i>
Cleaning Cycles	<ol style="list-style-type: none">1. After each use, unit automatically cleans itself for 10 seconds by reversing positive and negative plate polarity;2. Every 40 liters (10.6 gal.), the unit cleans itself for 30 seconds by reversing positive and negative plate polarity; and3. After each year of use, the unit should be cleaned manually following the cleaning and descaling instructions in this manual.
LCD Size	6.3 sq in; 3.5 in x 1.8 in; 7colors, 1 per setting
Control Panel	Ultra-Responsive Bio-Touch Pad
FDA Approved Plastics	Yes
ETL Certified	Yes
Warranty	Life-time limited warranty

Installation Schematic: (Optional Wall Mont)



www.AirWaterLife.com/install

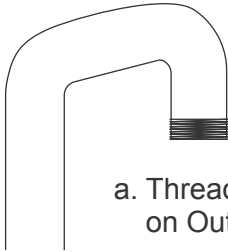
Video Install Guide ONLINE

Installation Order: There are 8 simple steps to installing your water ionizer each of which is describe in detail beginning on the next page. Please follow each the following steps in order.

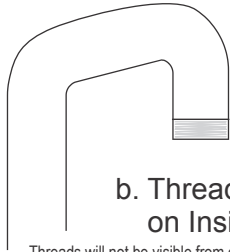
1. Identify Required Connector(s) & Attach Faucet Diverter Valve
2. Insert the Water Ionizer's Inner Carbon Filter
3. Connect the Inlet Outlet Water Hoses to the Water Ionizer
4. Install the Metal Spout
5. Connect the Inlet Water Hose to the Faucet Diverter Valve
6. Check Connections
7. (Optional) Wall Mount Your Water Ionizer
8. Plug In the Water Ionizer

Installation Step 1 - Identify Required Connectors/ Attach Faucet

Diverter Valve: Home faucets typically fall into 1 of 3 categories, a.) threaded on the outside, b.) threaded on the inside and c.) unthreaded, i.e., those without screw on/in connectors.

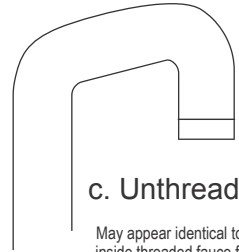


a. Threaded on Outside



b. Threaded on Inside

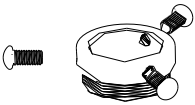
Threads will not be visible from outside. Feel inside faucet spout for threads.



c. Unthreaded

May appear identical to an inside threaded faucet from the outside.

The type of faucet you have will determine whether you can attached the Faucet Diverter Valve directly to your faucet or which of the type of faucet connector(s) you will use to attach the Faucet Diverter Valve to your faucet. There are three connectors included with your water ionizer, a 3-Bolt Faucet Connector, an Inner Tread Faucet Joint and a Dual-Tread Faucet Connector.



3-Bolt Faucet Connector

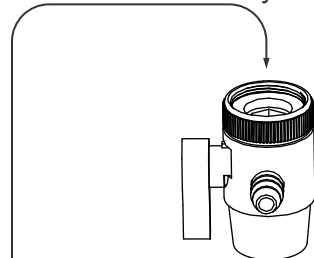
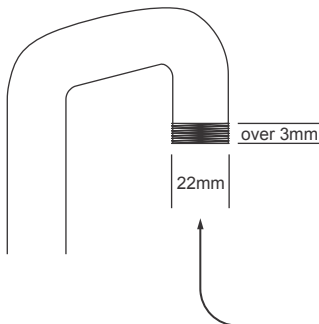


Inner Tread Faucet Joint



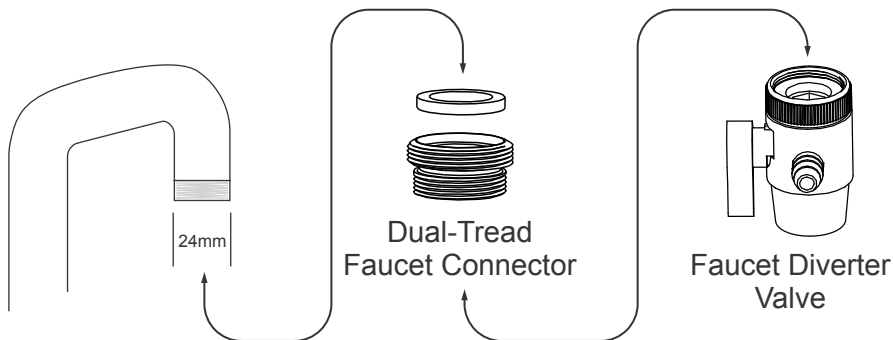
Dual-Tread Faucet Connector

a) Thread Outside Faucet: You will usually not need to use a connector. Simply screw the Faucet Diverter Valve directly onto the faucet.

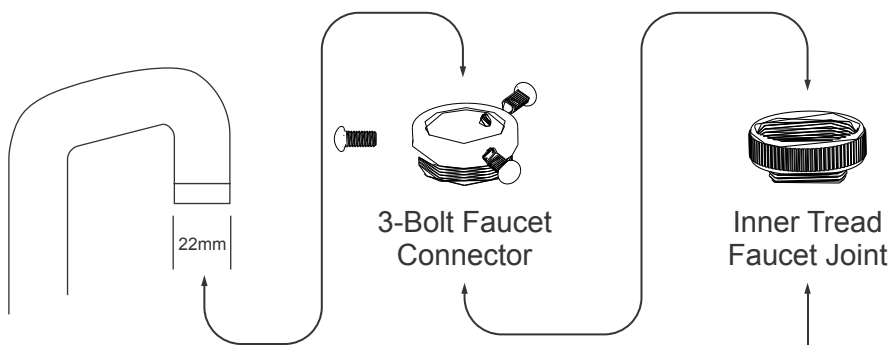


Faucet Diverter Valve

b) Threaded Inside Faucet: Being sure to first insert the washer, screw the Dual-Tread Faucet Connector into the faucet. Then screw the Faucet Diverter Valve onto the Dual Tread Connector.

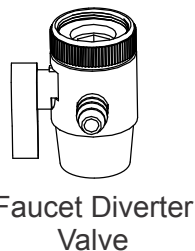


c) Unthreaded Faucet: If your faucet has neither inside nor outside threads, loosen the bolts on the 3-Bolt Faucet Connector, slip it over the end of the faucet pressing upward firmly then tighten bolts securely locking it onto faucet. Next, screw the Inner Faucet Thread Joint securely into the bottom of the 3-Bolt Faucet Connector. Then screw the Faucet Diverter Valve onto Inner Thread Joint which you've just attached to the 3-Bolt Faucet Connector.



! IMPORTANT

In some instance, either because the threads are damaged, too wide or too narrow, you may need to use the 3-Bolt Faucet Connector assembly method even on Threaded Inside or Outside Faucets.



Installation Step 2 - Insert the Inner Carbon Filter:

Though your water ionizer's Inner Carbon Filter is shipped with your water ionizer, it is NOT preinstalled in the unit. Simply remove the filter from the box, remove any packing materials and install it in the following manner...

A. Remove the water ionizer's Outer Filter Cover by pressing on the arrow with your thumb, squeezing gently with your finger and pulling up.

B. Firmly grasp the water ionizer's Inner Filter Cover and twist it counter clockwise to open and gain access to the filter chamber.

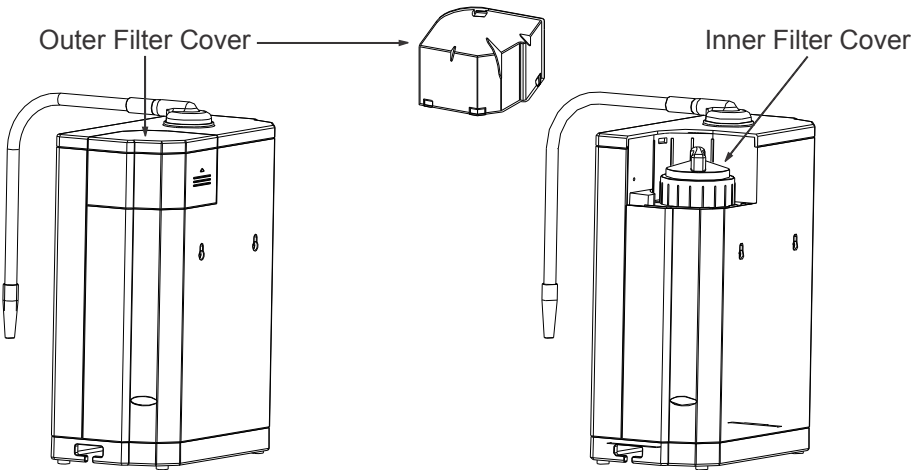


Fig. A

Fig. B

C. After unpacking the new Inner Carbon Filter, hold the end with the sealing ring on it under running tap water for 3 minutes to flush away any loose carbon particles, remove excess air and to prime the filter.

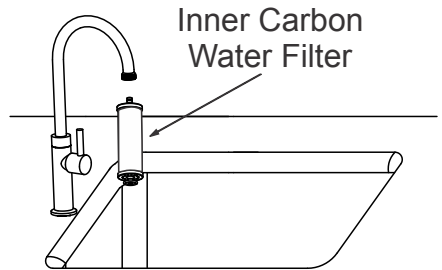


Fig. C

D. Insert the newly flushed Inner Carbon Filter into the open filter chamber as shown in Fig D.

E. Reseat the Inner Filter Cover and twist it clockwise to close the filter in filter chamber.

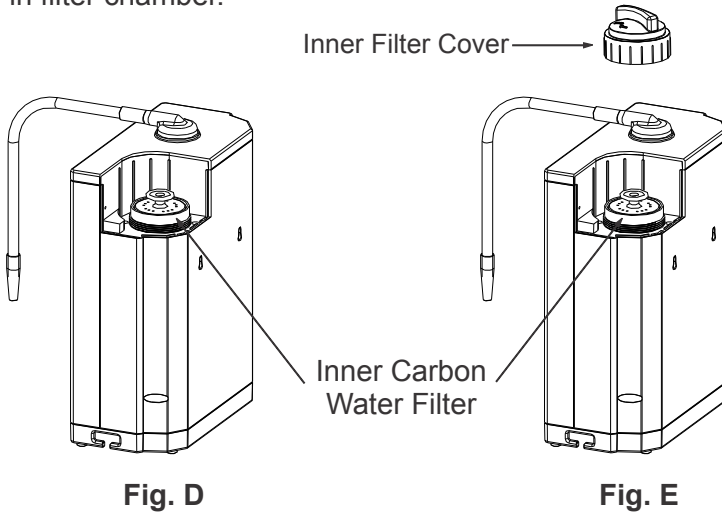


Fig. D

Fig. E

! IMPORTANT

There are several additional different **Optional filters available at www.AirWaterLife.com** . There are Ultra-filters that work wonderfully at filtering out contaminants to .01 microns as well as mineral filters if you are on Well Water.

Replacing Filters: The Inner Carbon Filter should be replaced after every 6000 Liters / 1585 gallons of water being dispensed which means it will last up to a year under normal use conditions. However, regional, environmental and other difference in water quality, such as more polluted municipal water, may require the filter to be replaced more often. If you notice unusual odors or taste in your water replace the filter as necessary.

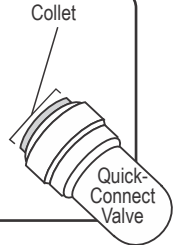
AirWaterLife.com/install For Video Help

Installation Step 3 - Connect Inlet & Outlet Hoses:

Cut a short length of water tubing for use as the Acidic Water Outlet Hose (enough to drain into sink) use remainder as Water Inlet Hose.

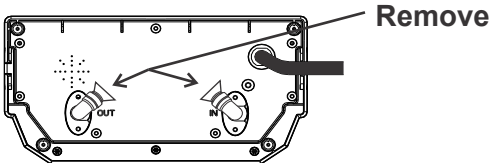
! IMPORTANT

Remove the blue clips from quick-connect valves at bottom of water ionizer. Next remove and SAVE the Horns on the Acidic Outlet and Inlet Water valves by pushing in the **collets** around opening of each valve with two fingers then gently pull the Horn. You'll need these horns during the Descaling process.

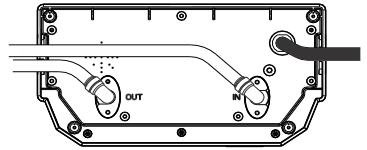


VIDEO FOR HELP - www.AirWaterLife.com/install

A. Remove the small blue clips. Push in the collet with one hand and pull the horn in the opposite direction with your other hand.



B. Firmly push both hoses into the connectors. One for the In and one for the Acidic Water. At least 1/2"



Installation Step 4 - Attach Metal Spout:

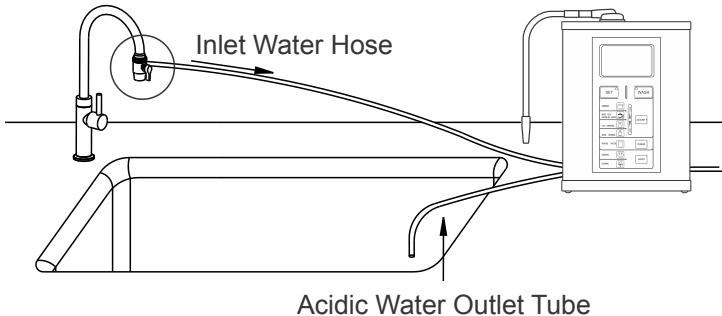
REMOVE THE PLASTIC Inner Cover

Screw the flexible Metal Spout clockwise into the outlet connector on top of the water ionizer.



Installation Step 5 - Connect the Inlet Water Hose to the Faucet Diverter Valve:

Connect the Inlet Water Hose to the Faucet Diverter Valve and dangle the free end of the Acidic Water Outlet Hose into the sink.

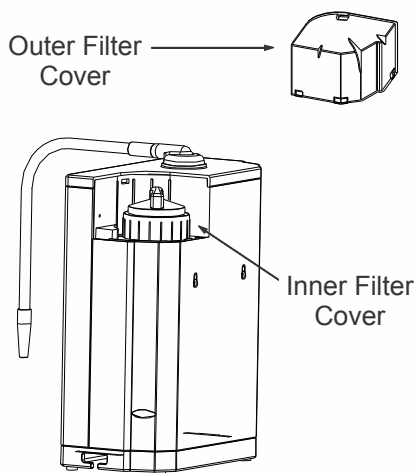


Installation Step 6 - Check for Leaks: After completing all prior installation steps and **making sure all hoses are securely attached**, you should perform each of the following filter related tasks when **a)** initially installing the unit, **b)** each time you replace the unit's Inner Carbon Filter and **c)** any time the unit has not been used for 2 or more days...

A. If you have not already done so, insert the filter as described under Step 2 - Insert the Inner Carbon Filter. Be certain you have placed the filter under running tap water for at least 3 minutes to flush away any loose carbon particles, remove excess air and to otherwise prime the water filter. Also be sure the Inner Filter Cover is screwed firmly over the Inner Filter Cartridge.

B. With the Faucet Diverter Valve still switched on and source water still flowing into the unit, confirm that there are no leaks from any of the hose connection points, the Inner Filter Cover nor from anywhere else on the water ionizer. This process will also flush any remaining air from the water filter.

C. If there are no apparent leaks, replace the Outer Filter Cover and temporarily plug the unit into the proper electrical outlet as described in Step 8 – Plug In the Water Ionizer.



! IMPORTANT

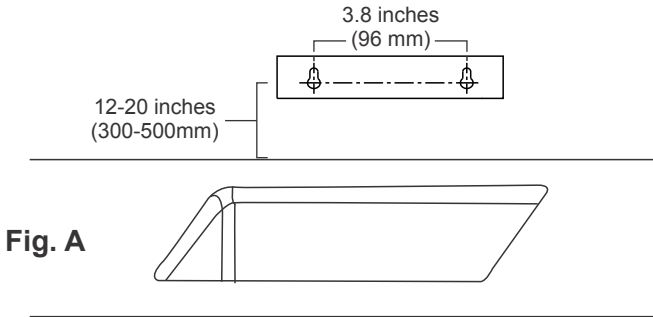
D. Press and hold the "Set" button continuously on the unit's front for at least 10 seconds to fully flush the filtration system and **to clear any messages prompts about replacing the filter.**

E. After fully installing and priming the Carbon Water Filter, if this is the first time you've installed your water ionizer, unplug the unit and proceed to **Step 7 - (Optional) Wall Mounting Your Water Ionizer.** If instead you are simply replacing an existing filter, your finished simply return to using your water ionizer normally.

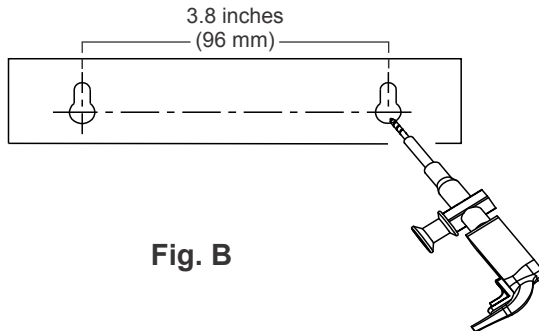
(Optional) Installation Step 7 - Wall Mount Your Water Ionizer:

A. Position the unit in a location near the sink counter and a suitable electrical outlet

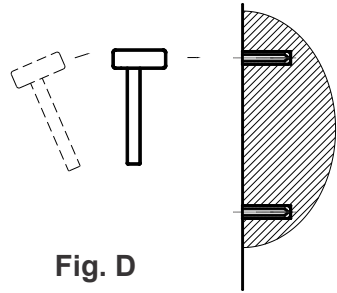
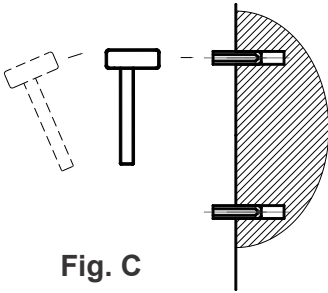
B. Using the provided Drill Mounting Guide, remove the backing, position the guide so that the two holes are level and are between 12 and 20 inches (300-500mm) above the counter surface and stick the guide to the wall.



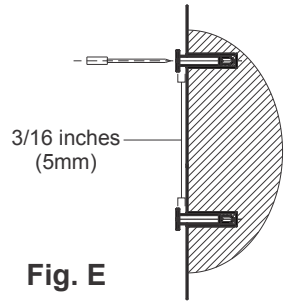
C. After you're sure the Drill Mounting Guide is properly placed, drill two holes approximately 2 inches (50mm) deep and 1/4 inch (6mm) in diameter at the drill positions indicated on the guide. If you have applied the Drill Guide correctly the distance between the center of the two holes should be 3.8 inches (96mm).



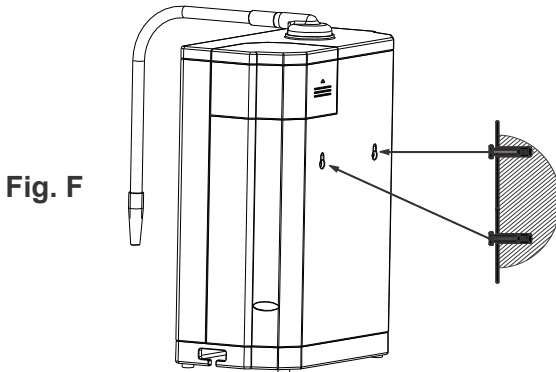
D. Insert the Plastic Expansion Screw Anchors into the two holes as shown in Fig. C below. Ensure the anchors flush with the wall when fully inserted as shown in Fig. D below.



E. Screw provided Stainless Steel Screws into Plastic Expansion Screw Anchors you've just seated in the two drilled holes. Leave approximately 3/16 inches (5mm) of the screw head exposed from which to hang the water ionizer as shown in Fig. E.



F. As shown in Fig F below, affix your water ionizer to the wall by slipping the screw notches in the back of the unit over the exposed portion of the Stainless Steel Screw heads and pushing down gently to be sure the screws lock properly into place securely anchoring the unit to the wall.



Installation Step 8 - Plug In Your Water Ionizer:

A.) Confirm that the power outlet is a 120 V/60Hz and grounded **BEFORE** plugging in your water ionizer.

B. When you first plug the unit in, a water indicator, e.g., "Daily Drinking," will light. The LCD will not display, however, until water is flowing into the unit. So, if you have not already done so, be sure you've switched on the Faucet Diverter Valve and water is flowing into the unit.


C. When it initially starts up your water ionizer will briefly enter auto cleaning mode. **Do NOT** unplug the water ionizer when it's in auto cleaning mode. Doing so can damage the unit.

(Optional) pH Testing:

1. Factory pH Value Presets - Your water ionizers primary pH settings are preset at the factory within the following ranges.

Alkaline Water Presets:

COOKING  = 9.5 - 11.0 pH

MAKE TEA & COFFEE  = 9.5 - 10.0 pH

DAILY DRINKING  = 8.5 - 9.5 pH

INITIAL DRINKING  = 7.5 - 8.5 pH

Filtered Water Preset:

PURIFIED WATER  = Same pH as Source Water

(Most Municipal Tap Water is 7.0 pH)

Acidic Water Presets:

CLEANING  = 6.0 - 7.0 pH

CLEANING  = 5.5 - 6.5 pH

2. Impact of Environmental & Other Factors on pH - However, differential regional, environmental and testing factors such as the quality, pH level, Total Dissolved Solids (TDS) and temperature of the source water as well as the flow rate through the water ionizer can all cause variations in the pH level of the water dispensed from your water ionizer. For example, the above referenced pH preset values were derived from 68°-77° F (20°-25° C) source water with a neutral pH of approx 7.0 containing 100 - 150 parts per million of Total Dissolved Solids (TDS) flowing at 2L (0.5 gal) per minute.



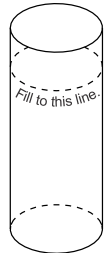
WARNING

Prior to beginning pH testing, please review the following warnings:

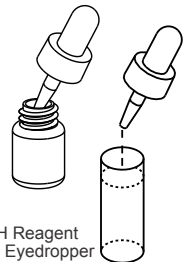
- **Flammability** - The pH reagent, i.e., testing liquid, contains a limited amount of isopropyl alcohol and is somewhat flammable. As such the reagent should **NEVER** be used near an open flame or other heat source.
- **Ingestion** - Do **NOT** swallow or otherwise ingest the pH reagent. Doing so may cause serious illness or even death in extreme instances. If accidentally ingested, rinse the mouth thoroughly but Do NOT induce vomiting and immediately transport the victim to the nearest healthcare facility.
- **Eye Contact** - Should the testing reagent be splashed in the eyes, immediately flush the eyes with running water for at least 20 minutes holding the eyelids open. Do **NOT** remove contact lenses prior to flushing.
- **Keep Out of Reach of Children** - Store the pH reagent in a secure location away from the reach of young children.

3. (Optional) pH Testing - After completing all required installation steps, familiarizing yourself with the general discussion regarding pH testing and the warnings presented above, you are ready to begin actual pH testing by taking the following steps...

- Press the applicable preset button for which you wish to test the pH value, e.g., Daily Drinking water. Dispense water on that setting for at **least 10 seconds** through the Flexible Metal Spout to flush any stale water and/or from prior settings out of the unit.
- Fill the pH Value Detection Bottle with water to 3/4 full, like on the image to the right.
- Open the bottle of pH Reagent and, using the eyedropper. Squeeze exactly **two drops** of reagent into the water filled pH Value Detection Bottle and shake gently to distribute the reagent evenly.
- The water in the bottle will change color. Compare the water's color to that of the pH Color Chart.



pH Value
Detection Bottle



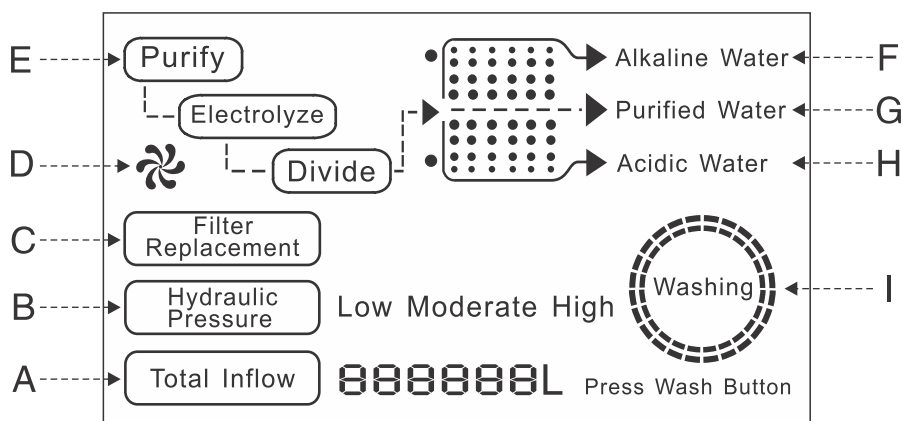
pH Reagent
with Eyedropper

 **CAUTION**

- **Do NOT Use Litmus Paper to Evaluate pH** - Most commercially available litmus paper is much less accurate tool for measuring pH than the included pH Reagent (testing liquid).
- **Avoid Direct Sun Light** - Keep the pH Reagent and Color Chart in a cool shaded place. Exposure to heat and/or direct sunlight can cause both to discolor resulting in erroneous pH testing.

NOTES

Understanding Your LCD Display: In addition to the alerts and indicators described below, your LED displays in 1 of 7 different colors, to indicate which of the unit's 7 presets is currently selected.



A. Total Inflow Monitor - Displays the total commutative water flow through the water ionizer.

B. WATER Pressure - You always want LOW OR Moderate, NEVER HIGH.

C. Filter Replacement Alert - Advises the user when it's time to replace the Inner Carbon Filter.

D. Water Flow Indicator - Rotates to confirms that inlet source water is flowing into the water ionizer.

E. Purify, Electrolyze & Divide Monitor - This active display confirms your water ionizer is progressing through various water filtration, electrolysis and water separation stages.

F. Alkaline Water Indicator - Confirms the water ionizer is dispensing alkaline water.

G. Purified Water Indication - Confirms the water ionizer is dispensing purified, i.e., filtered but non-ionized, water.

H. Acidic Water Indicator - Confirms your water ionizer is dispensing acid water.

I. Washing Flasher - Lets the user know the water ionizer is in automatic cleaning mode. **Note:** Never, simply unplug your water ionizer when it's in Washing Mode. Doing so may damage the unit.

Understanding Your pH Preset Options: Your water ionizer has 7 pH presets: 4 Alkaline, 1 Purified and 2 Acidic. Each is shown below along with its control panel icon, factory set pH range and the general application(s) for which each setting should be used.

Alkaline Water Presets:

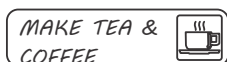


COOKING

9.5 - 11 pH

General Application:

This setting is ideal for cooking since alkaline water dramatically improves the flavor of vegetables, rice, pastas and soups. Water from this setting is also perfect for washing fruits and vegetables removing not only dirt and bacteria but also chemical pesticides and fertilizers far more effectively than regular tap water. It even makes a great stain remover for removing coffee, oil, grass and other stubborn stains.



MAKE TEA &
COFFEE

9.5 - 10.0 pH

Alkaline water at this setting enhances the flavor, color and aroma of both tea and coffee. In addition, this alkaline water option is ideal as mixer or for making ice cubes for alcoholic beverages since it helps reduce alcohol's natural acidity.



DAILY DRINKING

8.5 - 9.5 pH

Drinking 2 or more daily glasses of alkaline water acts as a powerful antioxidant and can help offset the effects of eating highly acidic foods such as meats, egg yolks, coffee, alcoholic beverages and aids hydration.



INITIAL DRINKING

7.5 - 8.5 pH

If you are new to drinking ionized alkaline water, you should start by consuming small regular amounts ionized alkaline water at this level daily for a week or two prior to progressing to the somewhat higher alkaline Daily Drinking water setting since it may take your body a short while to acclimate to the higher alkaline drinking water setting.

Purified Water Preset:



PURIFIED WATER

Averages 7.0 pH*

This setting filters but doesn't ionize water. It should be used when taking pills or other medications. Consuming ionized water within an hour of taking medications can affect a drug's absorption rate resulting in harmful or unintended consequences. This option is also ideal for use in baby food preparation since ionized water may be harmful or difficult for children under the age of a year old to digest.

Acidic Water Presets:



COSMETIC

6.0 - 7.0 pH

Acid water from this setting makes a great skin exfoliate removing dead cells and acts as an astringent which tightens the skin, removes fine lines and wrinkles. And, because acidic water kills surface bacteria on the skin, it also helps fight acne and blemishes without harmful chemical residues. Shampooing and rinsing your hair with water from this setting enhances shine, manageability and reduces breakage.



CLEANING

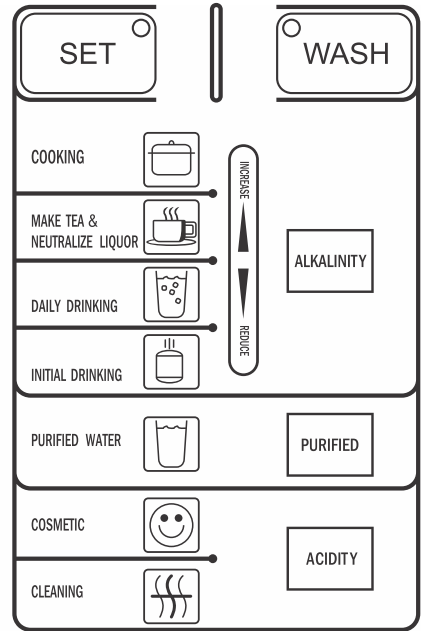
5.5 - 6.5 pH

Highly acidic water from this setting makes an extremely effective cleaning, disinfecting and antibacterial agent. It is particularly suited for cleaning kitchen and bathroom surface such as counter tops, cutting boards, sinks, toilets, tubs showers, mirrors, linoleum and tile floors. Best of all, while acidic water out performs many commercial cleaners, it does so without all the harmful chemicals and toxins.

*Purified water is filtered but not ionized. So, it derives its pH from source tap water which averages 7.0 pH.

Selecting Your pH Preset & Dispensing Water:

- A. Once properly installed and plugged in with water flowing to the unit, your water ionizer will enter standby mode displaying the most recently selected preset, e.g., Daily Drinking.
- B. To change to a different preset, a) press the Alkalinity button to cycle through each of the 4 alkaline water settings. Each press advances you to the next alkaline preset... Cooking – Make Tea & Neutralize Liquor – Daily Drinking – Initial Drinking; b) press the Purified button to select filtered but nonionized water; and c) press the Acidity button to cycle back and forth between the 2 acidic water presets... Cosmetic – Cleaning.



- C. After making your water selection, turn on your water faucet, flip the attached Faucet Diverter Valve to the on position diverting water to the water ionizer which will then begin dispensing water matching the preset pH preset selection.
- D. Once your done dispensing water simply shut of your faucet and/or the attached Faucet Diverter Valve.

Automatic Cleaning Function

- A. Whenever the water ionizer is in any of the 4 alkaline modes or either of the 2 acidic modes, ending water flow to the unit by turning off the faucet or Faucet Diverter Valve will cause your water ionizer to reverse electroplate polarity initiating the automatic cleaning process.
- B. Auto-cleaning is **NOT** triggered if the last function prior to shutting off water flow to the unit was Purified water mode. The unit's electroplates are not engaged as part of the Purified Water process, consequently, there is no need for auto-cleaning the electroplates after using this function.

C. When automatic cleaning is triggered, it will take only about 20 seconds during which time the Washing Flasher will appear on the unit's LCD display. When auto-cleaning is completed, the Washing Flasher will disappear and the LCD will display only the Total Inflow data as the unit returns to standby mode.



D. **NEVER** unplug the unit or attempt to carry out other water ionizer functions while the unit is in automatic cleaning mode. Doing so can damage your water ionizer.

Enhanced Cleaning Function

A. In addition to the auto-cleaning function that's initiated just before the unit enters standby mode after dispensing alkaline or acid water, your water ionizer also has an extended Enhanced Cleaning function designed to help reduce the build up of calcium, magnesium and other chemical and mineral deposit on the unit's electroplate. The Enhanced Cleaning function is triggered, after approximately every 10.5 gallons/40 Liters of water is dispensed.

B. When Enhanced Cleaning is required, a flashing Wash Indicator light will appear on the unit's LCD. **Note:** The Wash Indicator, which has a solid circle around it, is **NOT** the same as the Washing Flasher which has dual broken line circles around it.



C. When the Wash Indicator appears, turn on the faucet and Facet Valve. As water begins to flow to the water ionizer, press the Wash Button on the Control Panel to initiate Enhanced Cleaning.



D. During enhanced cleaning, which will last for approximately 30 seconds, the unit will play music and water will be expelled from the Flexible Metal Spout. **Do NOT** drink this water as it will be acidic.

E. When the music finishes, Enhanced Cleaning is complete and the unit will reset to whatever the last selected preset was.

F. **NEVER** unplug the unit or attempt to carry out other water ionizer functions while the unit is in Enhanced Cleaning mode. Doing so can damage your water ionizer.

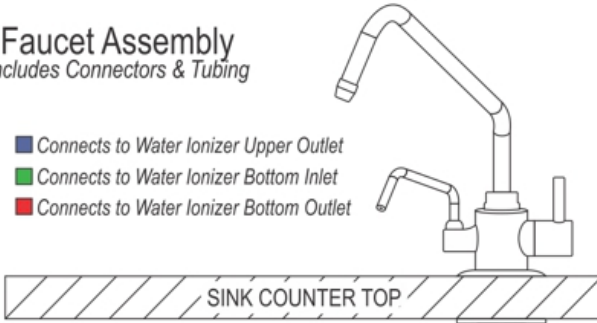
Extra Accessories @ www.AirWaterLife.com

Under-Sink Universal Water Ionizer Adapter Faucet
Convert Almost Any Countertop Water Ionizer to an Under Counter
Unit
Includes All Connectors & Tubing •
\$169.95

Air Water Life Under-Sink Universal Water Ionizer Adapter Faucet Setup

Faucet Assembly
Includes Connectors & Tubing

- Connects to Water Ionizer Upper Outlet
- Connects to Water Ionizer Bottom Inlet
- Connects to Water Ionizer Bottom Outlet

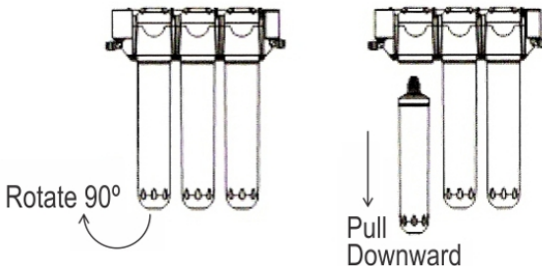


TriPart Aqua-Filter Deluxe 3.0 by Air Water Life®
3-Stage Particulate, Activated Carbon & Ultra-Filtration Water Filters
\$169.95

Advanced 3-stage water filtration system delivers clean, safe, healthy odor free drinking water.

- Ultra-Filtration Filter: Operating at the molecular level, the filter membrane removes bacteria, viruses, parasites, pesticides, herbicides and other dangerous chemicals standard water filters miss. Lasts up to a year.
 - Easy-snap filter canisters make filter replacement a breeze.
 - Comes with a full 5-Year Limited Warranty.

EASY-SNAP FILTER ASSEMBLY



Manual Cleaning & Descaling: Despite the effectiveness of your water ionizer's regular Automatic Cleaning and periodic Enhanced Cleaning process, depending on how "hard" your source water is, i.e., how much calcium, magnesium and other minerals it contains, you should manually clean the unit **AT LEAST once every 12 months** in a process called "Descaling."

Descaling removes these mineral deposits ("scales"), which inhibit the electrolysis process, from the surface of the electroplates. If your local source water is particularly high in mineral deposits and/or if routine pH testing reveals an increasingly wide variance from the preset values over time, you should descale your water ionizer ever 6 months instead of every 12. To descale you unit, follow these steps...

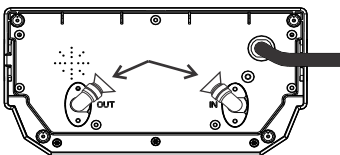
A. Switch off the Faucet Diverter Valve so water is NOT flowing the water ionizer. Wait at least 20 seconds for the unit to return to standby mode after completing any Automatic Cleaning processes and then unplug water ionizer from the electrical outlet, remove it from it's wall mount and place upright on the sink counter.

! IMPORTANT

B. Unscrew the Inner Filter Cover. Then, **Remove the Carbon Water Filter** from the Filter Chamber and set it and the Inner Filter Cover aside.

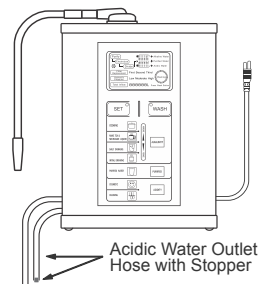
C. Use two fingers to press in the collets on the quick-connect valves at the bottom of the water ionizer and gently remove both the Inlet Water and Acidic Water Outlet Hoses. Now insert one Horn you should have saved from *Installation Step 3 - Connect Inlet & Outlet Horns* into each valve until it locks into place. (Fig. 1-A) If you've misplaced your horns, you can use a paper clip, small clamp, wrapped rubber band, etc. to temporarily block just the Acidic Water Outlet hose. (Fig. 1-B)

Fig.1-A



Horns Reinserted into
Water Inlet and Acidic Water Outlet Hoses
For Shipping & Cleaning

Fig.1-B



D. Raise the Flexible Metal Spout, as shown in Fig. 2 below, to ensure the spout opening is **HIGHER** than the top the water ionizer itself.

E. Fill a pitcher, jar or other water proof container with approximately 2 1/8 cups (17oz / 500ml) of hot (NOT boiling) water and pour the entire contents of the bottle of powdered descaling agent into the hot water. Stir until the mixture until the Descaling Agent is fully dissolved.

F. Slowly pour the Descaling Agent liquid into the empty Filter Chamber until it's about 3/4 inch (2 cm) from the top of the chamber and allow the Descaling Agent to soak inside the unit for at least 30 minutes.

G. After soaking for at least 30 minutes, disconnect one Horn from the Water Inlet Valve allowing the Descaling Agent liquid to drain from the water ionizer. Once the fully drained, remove the other Horn from the Acidic Water Outlet valve. Reattach Water Inlet and Acidic Water Outlet Hoses and save the horns for future use. Alternative Method: Remove the clip or rubber band from the Acidic Water Outlet Hose allowing the Descaling Agent liquid to drain from the water ionizer.

H. With the Inner Carbon Filter **STILL REMOVED**, bend the Flexible Metal Spout into it's normal position, i.e., so that the spout opening is **LOWER** than the top the water ionizer itself.

I. Next, turn on the water faucet and open the Faucet Diverter Valve so that water begins flowing into the unit. Allow water to continue flushing though the unit for at least 5 minutes to help wash away any residual descaling agent.

J. Finally, close the Faucet Diverter Valve, reinsert the Inner Carbon Filter, replace the Inner and Outer Filter covers completing the descaling process. Continue to use your water ionizer normally.

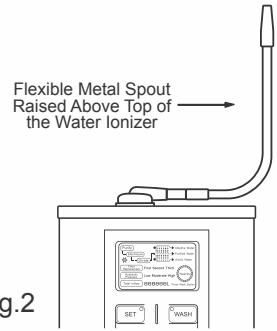
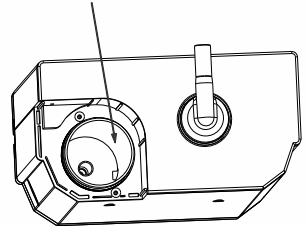


Fig. 2

Fig. 3

Pour Descaling Agent liquid to within 3/4 inch (2 cm) of the top of the empty Filter Chamber. (Filter must be **REMOVED!**)



Problems & Solutions:

Problem: None of the LCD or Control Panel functions light up.

Solution: Check that the power cord is plugged in and/or that the electrical socket is functioning properly.

Problem: Water from the water ionizer dispenses too slowly or irregularly in spurts or sputters.

Solution: a) Check hoses, valves and connections to make sure they're not obstructed, b) check to see if the water filter needs to be replaced and/or, c) if you live in a cold climate, make sure neither your source water or water in the ionizer has frozen.

Problem: Alkaline water output appears initially cloudy or milky.

Solution: This is generally a temporary anomaly caused harmless, nontoxic hydrogen production as part of the electrolysis process. The cloudiness will disappear on its own after a few seconds and will not affect the taste of your drinking water. It can also happen because of extremely high levels of calcium and magnesium in your source water (known as "hard water") when ionizing higher pH levels. This phenomenon is also harmless and will not affect the taste of drinking water. However, you can reduce the instances in which the cloudiness occurs by a) lowering the pH level or b) increasing the water flow rate through the unit

Problem: White particles begin to appear in your alkaline water and/or on the walls of the filter chamber.

Solution: Hard water high in calcium and magnesium can cause this type of particle buildup. Though the particles are harmless and do not affect taste, you can reduce or eliminate them by descaling your water ionizer more frequently.

Problem: The rate water is dispensed through the Flexible Metal Spout begins to diminish over time.

Solution: This is generally caused calcium and magnesium deposits from extremely hard water building up overtime along the inside of the spout. Proper or more frequent descaling and/or soaking the spout directly in descaling solution will normally alleviate this problem.

Problem: The rate at which water is dispensed appears to slow down immediately following replacing the Inner Carbon Filter.

Solution: This is generally an indication that there is still some residual air trapped in the water filter. Generally turning your faucet on high and allowing water to flow through your ionizer at a high rate of speed for 3 or 4 minutes will solve the problem.

Problem: Acidic water continues to drip from the Acid Water Outlet Hose for 10 to 20 seconds after dispensing alkaline water.

Solution: This is a normal phenomenon. The excess acidic water is "divided" from the alkaline water as part of the ionization process and then dispelled through the outlet tube.

Problem: Water is very slow producing little no water.

Solution: The hydraulic/water pressure may be too low. Turn your faucet on high and fully open the Faucet Diverter Valve to increase the pressure. If this doesn't correct the problem, check to make sure that the water filter isn't blocked.

Problem: pH testing reveals that the actual pH of Alkaline water is slighter higher or lower than the factory defined range for a particular preset.

Solution: a) If the pH is somewhat higher than normal, it is generally a normal phenomenon following installing a new Inner Carbon Water Filter. Generally the pH will settle back into the normal range with a week of installing the new filter; b) If the pH is slightly lower than normal, descaling the unit will usually alleviate this problem; or c) If the pH variance is more extreme, you may want to move up or down to the next preset level to achieve the desired pH level.

Problem: Acidic water seems to have an unusual smell or odor.

Solution: DO NOT DRINK-This acidic water smell is a normal byproduct of electrolysis reacting with the chloride in the water.

Problem: After replacing the Inner Carbon Water Filter the unit continues prompt the user to replace the filter.

Solution: After replacing the water filter you must pres and hold the "Set" button for at least 5 seconds to clear the filter replacement prompt.

Problem: After replacing the Inner Carbon Water Filter fine black particles appear in the water.

Solution: These particles are harmless no toxic carbon residue from the water filter. This generally occurs when you forget to flush the filter under tap water for a few minutes prior to installation. Simply run water through the water ionizer for a few minutes and the particles will disappear.

Warranty Information:

Air Water Life and its parent company Real Spirit USA, Inc. offers a Limited Lifetime warranty on all its water ionizers to the original consumer purchaser under the following terms and conditions:

- a) For the first 5 years from the date of original purchase, we warrant the unit to be free from defects in materials and workmanship under normal operation and use and will repair or replace any defective part(s) or, at our discretion, replace the entire unit free of charge.
- b) After the first 5 years, we continue to stand behind your purchase for as long as you own it. Should the unit need to be repaired, we will provide the replacement part at no charge to you. You will be responsible only for the cost of labor to replace the part. Should the estimated cost to repair the unit exceed 20 percent of the unit's suggested retail price, Air Water Life, will provide the customer with an entirely new unit for 20 percent of the same suggested retail price.

Whether in the first 5 years or subsequently, upon discovery of a product defect, you should immediately notify Air Water Life via telephone, email or fax to obtain product return and shipping instructions. You should ship or deliver the product to the designated service location, accompanied by your name, address and telephone number, proof of purchase date and a description of the defect.

The customer is responsible for the cost of shipping the unit to the service facility. However, following repair or replacement, Air Water Life will cover the cost of shipping the unit back to the consumer within the continental United States. Customers outside the continental United States must also cover the cost of return shipping following repair or replacement.

The warranty does NOT include unusual wear, damage resulting from accident or unreasonable use and also does not include replacement filters nor other disposable parts and supplies.

AIR *Water* LIFE
Advanced Air & Water Technologies for Better Living

Produced and distributed exclusively by:



Air Water Life is a Division of Real Spirit USA, Inc.
9447 De Soto Ave. • Chatsworth, CA 91311 • Ph 818.698.2088
www.AirWaterLife.com • info@AirWaterLife.com