

INSTALLATION INSTRUCTIONS



No. 940345



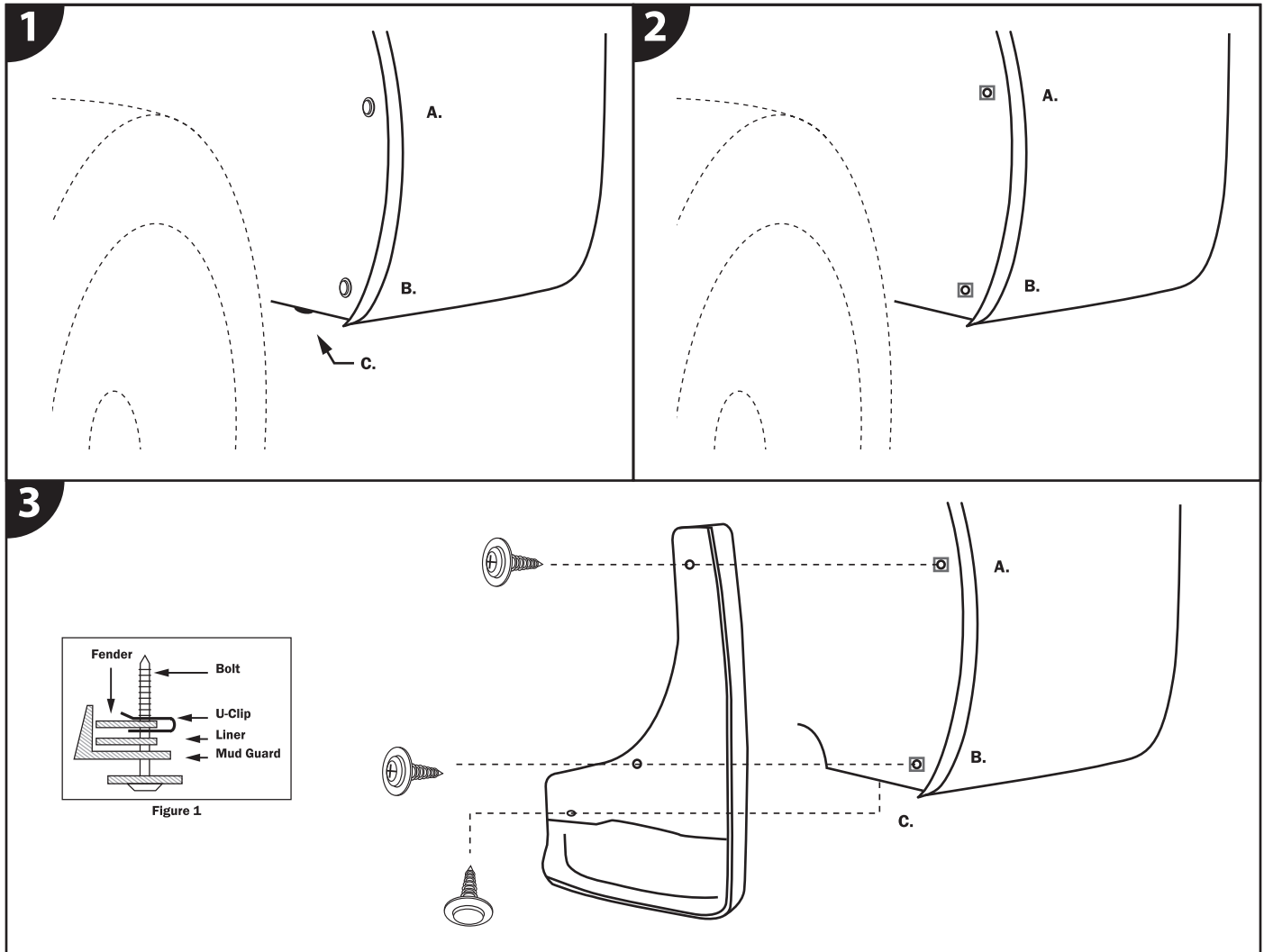
CUSTOM MOLDED FRONT MUD GUARDS FOR PONTIAC SOLSTICE

Tools Needed

- Phillips head screwdriver
- 8mm socket driver

Included in Box

- Front Mud Guards (for driver & passenger side)
- #10 Screws (x4)
- U-Clip (x4)



Repeat Steps 1-3 for Driver & Passenger Side

STEP 1. Remove existing fasteners.

- Remove and discard existing fasteners from locations A and B.
- Remove existing fastener from location C. Save for later step.

STEP 2. Install u-clips.

- Pull fender liner forward and install U-Clip over the fender at locations A and B. (Figure 1)

STEP 3. Install mud guards.

- Attach mud guard using #10 Screws at locations A and B.
- Install existing fastener removed in Step 1 at location C.

INSTALLATION INSTRUCTIONS



No. 940346



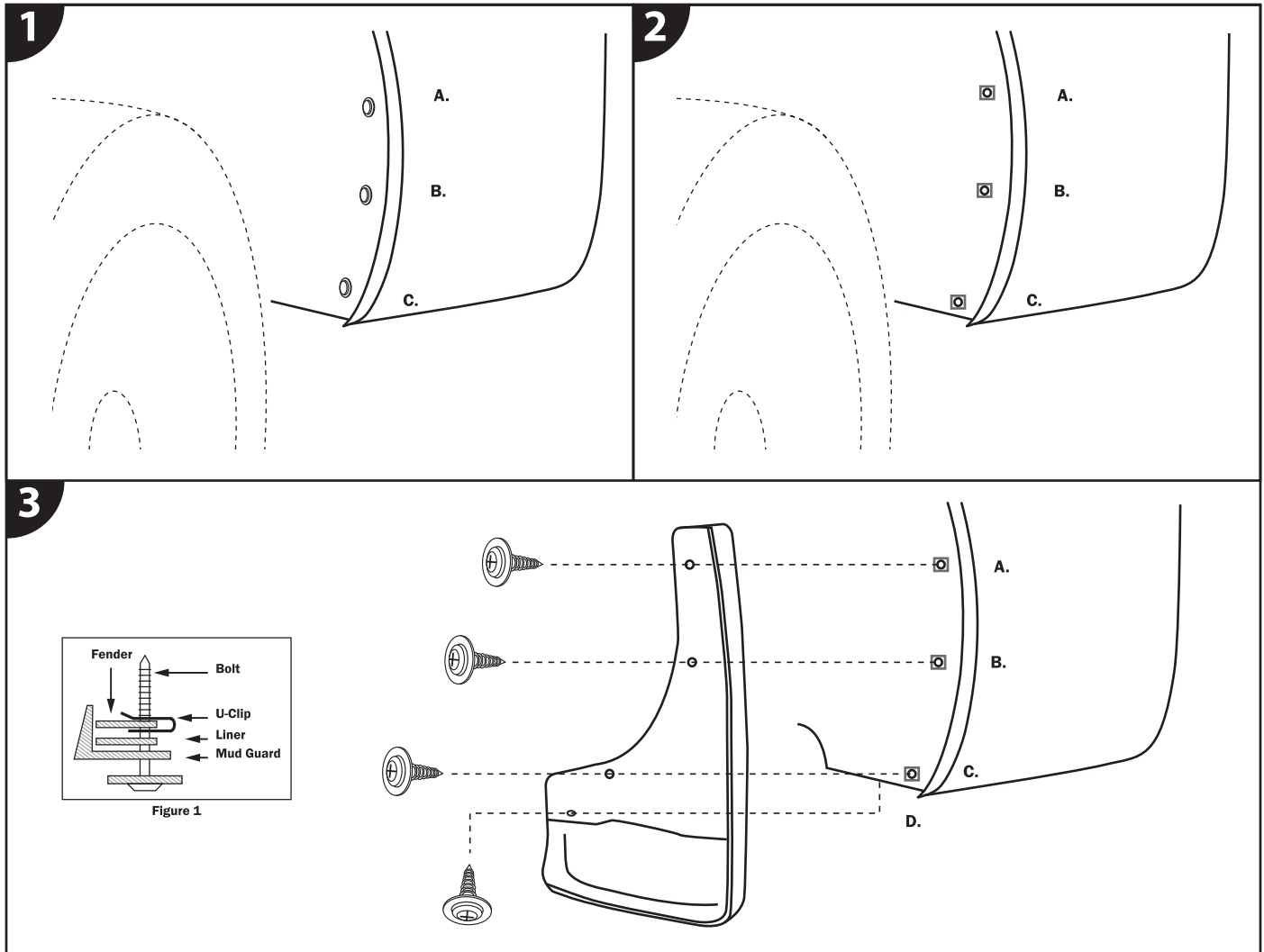
CUSTOM MOLDED REAR MUD GUARDS FOR PONTIAC SOLSTICE

Tools Needed

- Phillips head screwdriver
- Drill with 3/32" bit

Included in Box

- Rear Mud Guards (for driver & passenger side)
- #10 Screws (x8)
- U-Clip (x6)



Repeat Steps 1-3 for Driver & Passenger Side

STEP 1. Remove existing fasteners.

- a. Remove and discard existing fasteners from locations A, B and C.

STEP 2. Install u-clips.

- a. Pull fender liner forward and install U-Clip over the fender at locations A, B and C. (Figure 1)

STEP 3. Install mud guards.

- a. Attach mud guard using #10 Screws at locations A, B and C.
- b. Using mud guard as a guide, drill 3/32" hole at location D.
- c. Install #10 Screw at location D.