

INSTALLATION INSTRUCTIONS



No. 940262



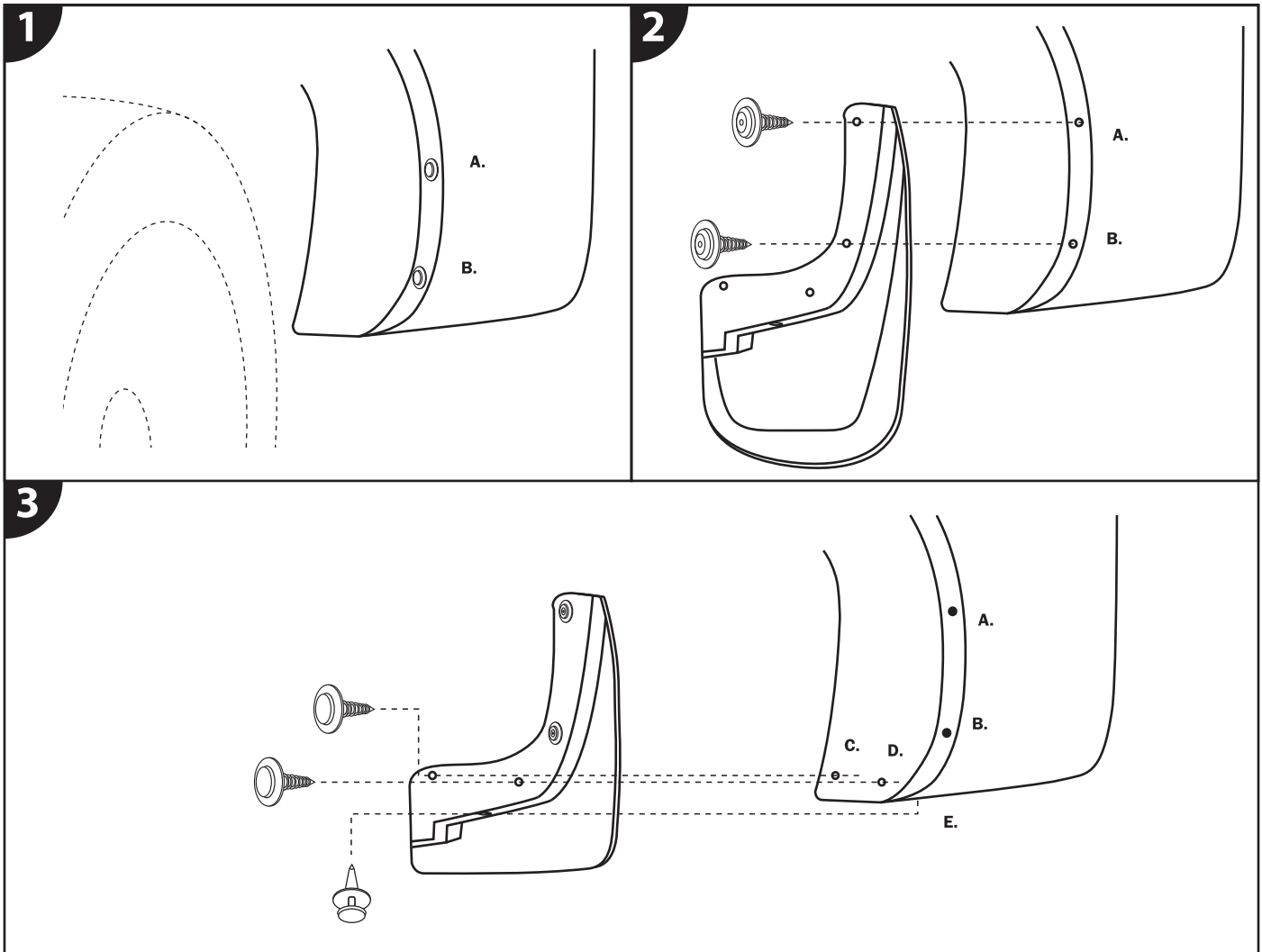
CUSTOM MOLDED FRONT MUD GUARDS FOR VOLKSWAGEN GTI AND MK7

Tools Needed

- Drill with 8mm Bit
- T-25 Torx Driver
- Center hole punch

Included in Box

- Front Mud Guards (for driver & passenger side)
- Screws (x4)
- Nuts (x4)
- Pointed Fastener (x2)



Repeat Steps 1-3 for Driver & Passenger Side

STEP 1. Remove existing fasteners.

- Remove existing fasteners from locations A and B. These will be used later for locations C and D.

STEP 2. Install mud guard.

- Attach mud guard using the new provided fasteners at locations A and B.

STEP 3. Secure mud guard.

- Use a hole puncher to make holes at locations C and D.
- Install existing fasteners from Step 1 into newly drilled holes at locations C and D. Use provided nuts to secure.
- Use mud guard as a template to drill 8mm holes at locations E.
- Install Pointed Fastener at locations E.

NOTE: It may be necessary to remove tire before installing mud guards.

INSTALLATION INSTRUCTIONS



No. 940315



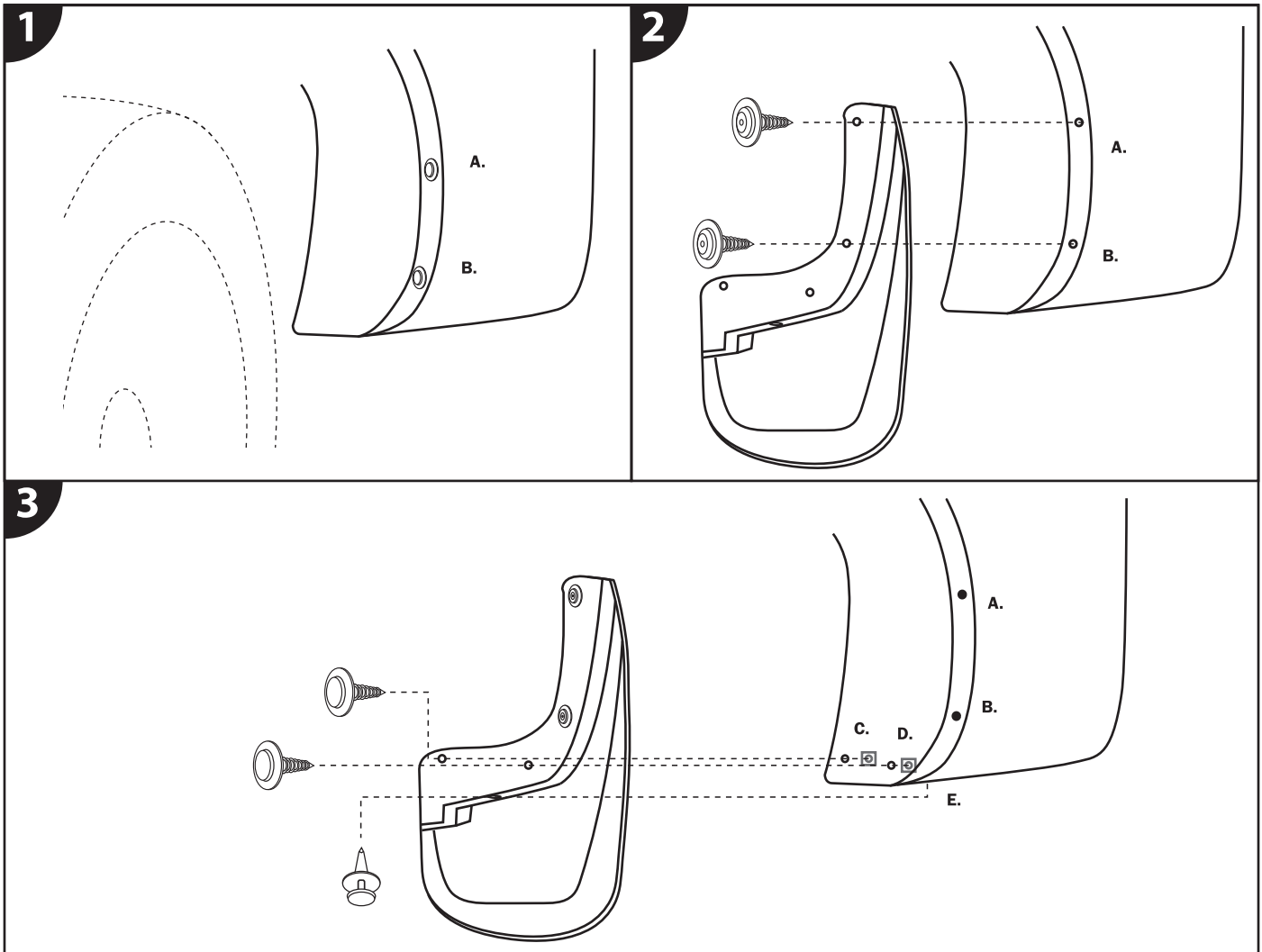
CUSTOM MOLDED REAR MUD GUARDS FOR VOLKSWAGEN GTI AND MK7

Tools Needed

- Drill with 8mm Bit
- T-25 Torx Driver
- #10 Wrench
- Center punch

Included in Box

- Rear Mud Guards (for driver & passenger side)
- Screws (x4)
- Lock Nut (x4)
- Fastener (x2)



Repeat Steps 1-3 for Driver & Passenger Side

STEP 1. Remove existing fasteners.

- a. Remove existing fasteners from locations A and B. These will be used later for locations C and D.

STEP 2. Install mud guard.

- a. Attach mud guard using the new provided fasteners at locations A and B.

STEP 3. Secure mud guard.

- a. Use a hole puncher to make holes at locations C and D.
- b. Install existing fasteners from Step 1 into newly drilled holes at locations C and D. Use provided nuts to secure.
- c. Use mud guard as a template to drill 8mm holes at location E underneath.
- d. Install Pointed Fastener at location E underneath.

NOTE: It may be necessary to remove tire before installing mud guards.