

INSTALLATION INSTRUCTIONS



No. 940444



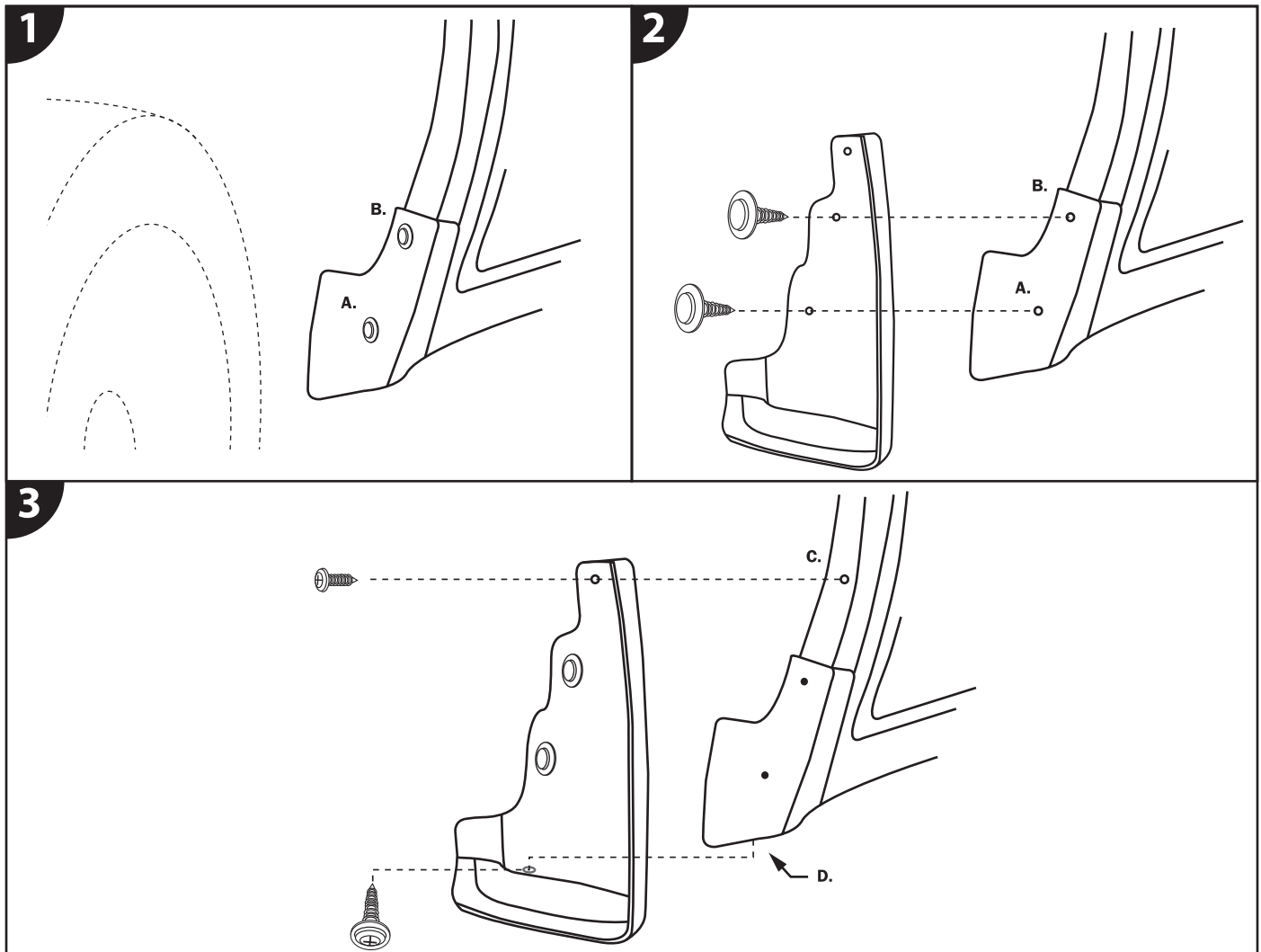
CUSTOM MOLDED FRONT MUD GUARDS FOR JEEP COMPASS

Tools Needed

- Phillips head screwdriver
- Drill with 3/32" bit

Included in Box

- Front Mud Guards (for driver & passenger side)
- Short Screws (x2)
- Long Screws (x2)



Repeat Steps 1-3 for Driver & Passenger Side

STEP 1. Remove existing fasteners.

- Remove existing Fasteners from locations A and B. Save for later step.

STEP 2. Attach mud guard.

- Using the Fasteners from Step 1, attach mud guard at locations A and B.

STEP 3. Secure mud guard.

- Use mud guard as a guide, drill 3/32" hole at location C.
- Use mud guard as a guide, drill 3/32" hole underneath fender at location D.
- Install Short Screw at location C.
- Install Long Screw at location D (underneath).

INSTALLATION INSTRUCTIONS



No. 940445



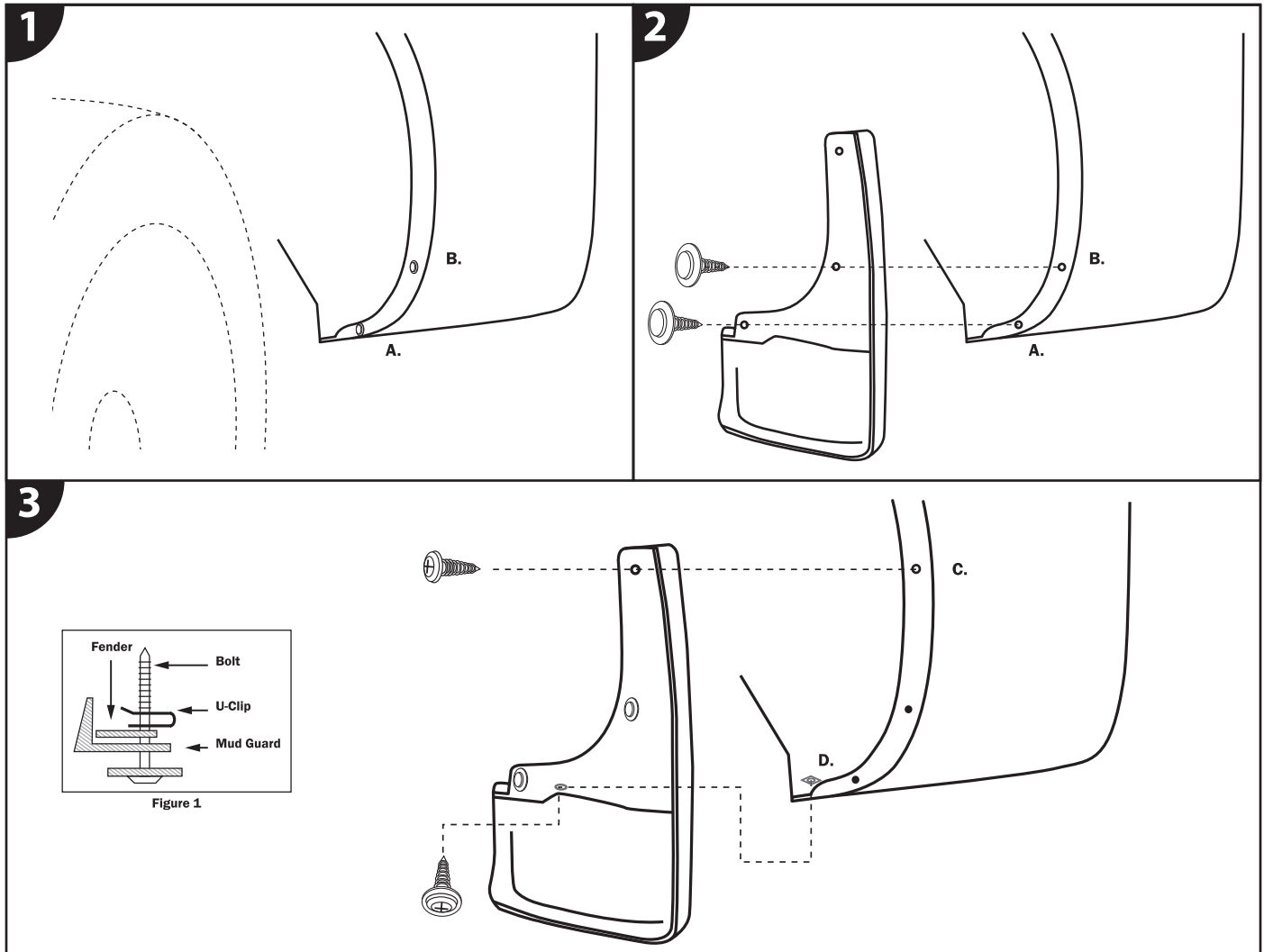
CUSTOM MOLDED REAR MUD GUARDS FOR JEEP COMPASS

Tools Needed

- Phillips head screwdriver
- Drill with 3/32" & 1/4" bit
- 7mm Socket

Included in Box

- Rear Mud Guards (for driver & passenger side)
- Short Screws (x2)
- Long Screws (x2)
- U-Clips (x2)



Repeat Steps 1-3 for Driver & Passenger Side

STEP 1. Remove existing fasteners.

- Remove existing Fasteners from locations A and B. Save for later step.

STEP 2. Attach mud guard.

- Using the Fasteners from Step 1, attach mud guard at locations A and B.

STEP 3. Secure mud guard.

- Use mud guard as a guide, drill 3/32" hole at location C.
- Install Short Screw at location C.
- Use mud guard as a guide, drill 1/4" hole underneath fender at location D.
- Install Long Screw at location D into U-Clip behind the fender. U-Clip is used as a nut. (Figure 1)