

INSTALLATION INSTRUCTIONS



No. 940452



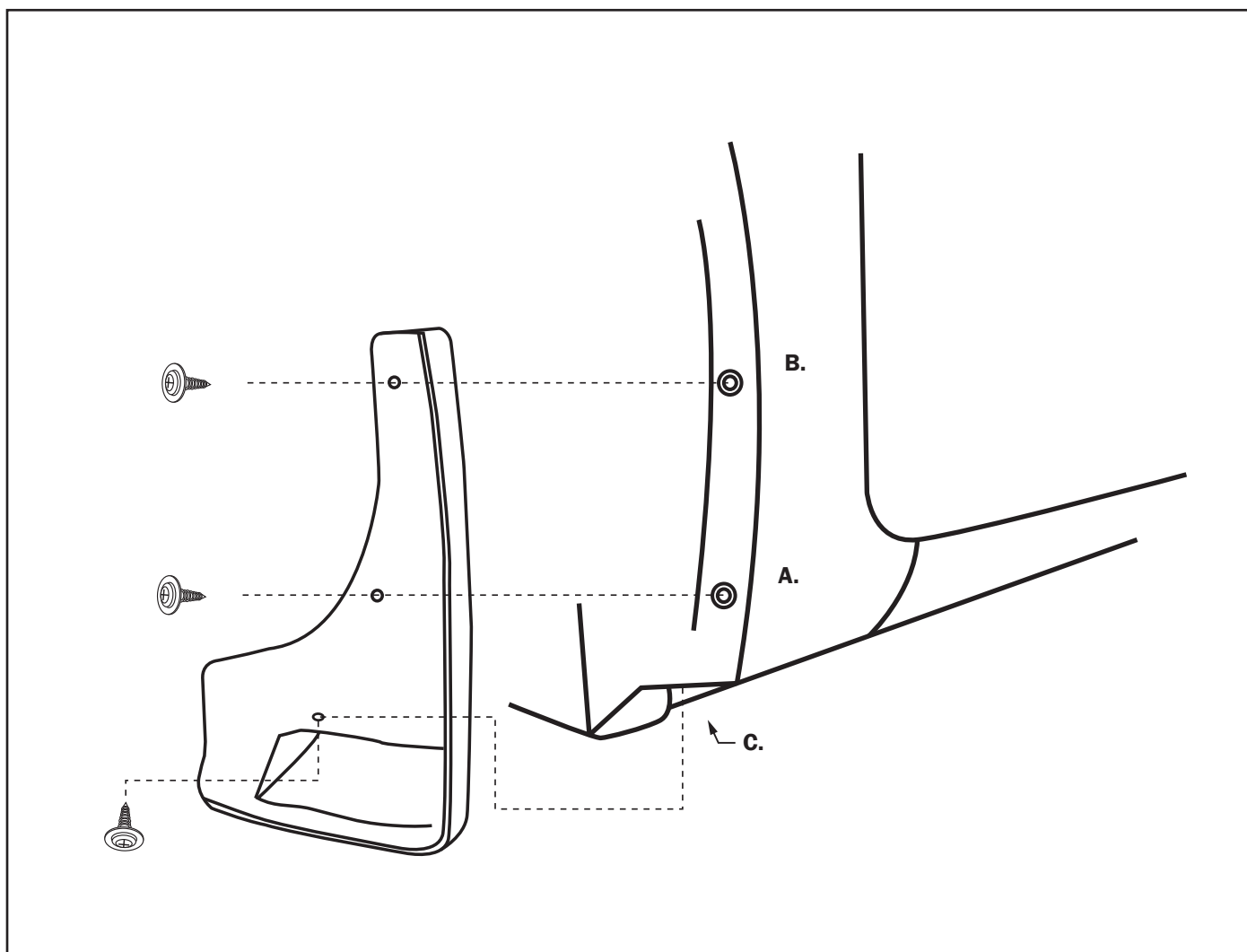
CUSTOM MOLDED FRONT MUD GUARDS FOR TOYOTA CAROLLA

Tools Needed

- Phillips head screwdriver
- 10mm Socket

Included in Box

- Front Mud Guards (for driver & passenger side)
- #14 Screws (x4)
- #14 Hex Screws (x2)



Repeat Steps for Driver & Passenger Side

STEP 1. Attach mud guard by installing #14 Screw into clip at location A.

STEP 2. Install the second #14 Screw into clip at location B.

STEP 3. Lastly, secure the mud guard using provided #14 Hex Screw at location C (underneath).