

INSTALLATION INSTRUCTIONS



No. 940424



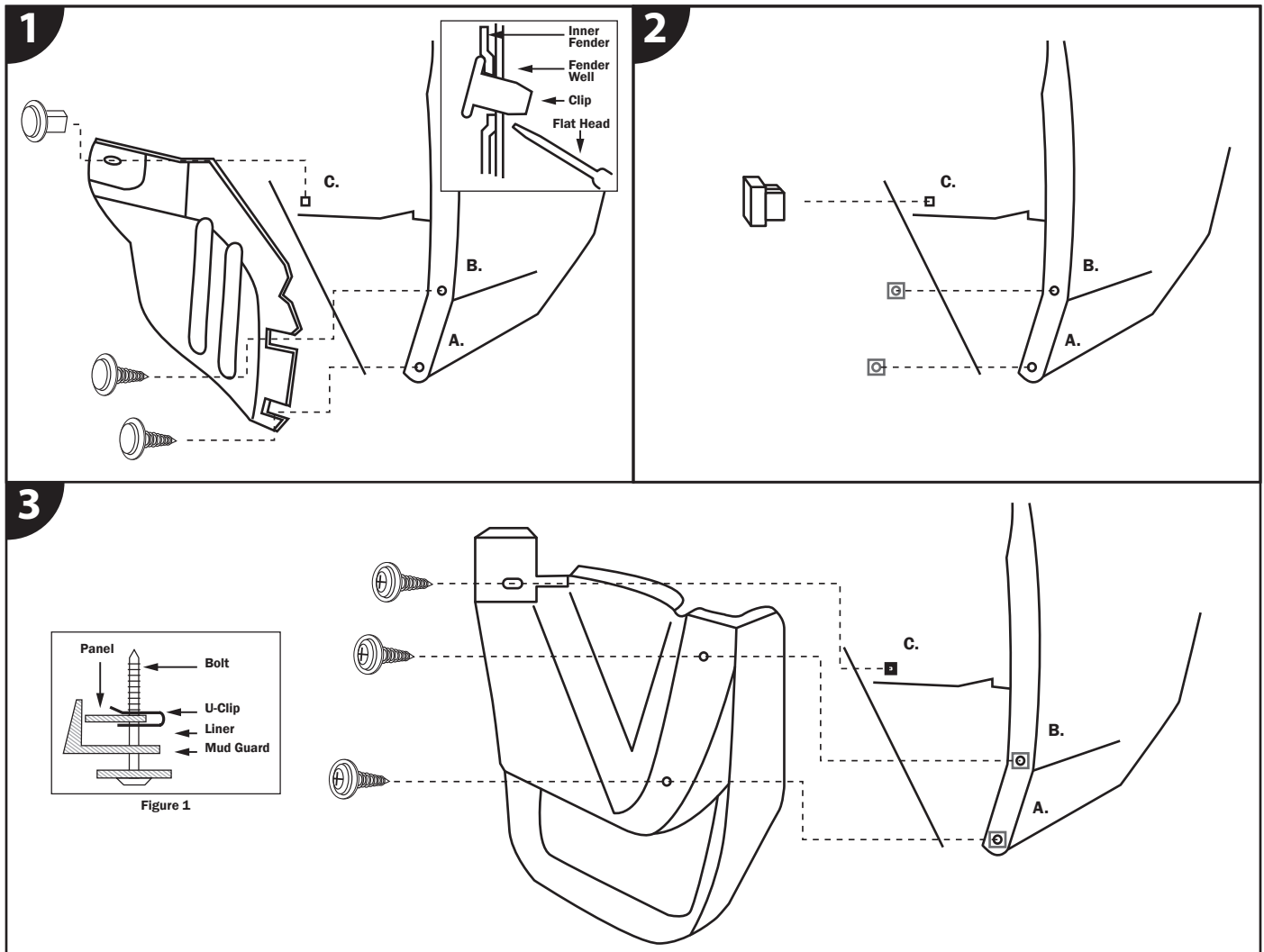
CUSTOM MOLDED REAR MUD GUARDS FOR HONDA CIVIC

Tools Needed

- Phillips head screwdriver
- Flat head screwdriver

Included in Box

- Rear Mud Guards (for driver & passenger side)
- 25mm Screws (x4)
- 20mm Screws (x2)
- U-Clip (x4)
- Grommet (x2)



Repeat Steps 1-3 for Driver & Passenger Side

STEP 1. Remove inner fender.

- a. If present, remove and discard the inner fender. Remove the Screws at locations A and B, as well as the clip at location C.

STEP 2. Install U-Clips.

- a. Install U-Clips over the existing holes at locations A and B. (Figure 1)
- b. Install Grommet in fender well at location C.

STEP 3. Secure mud guards.

- a. Attach mud guard using provided 25mm Screws at locations A and B.
- b. Install 20mm Screw at location C.