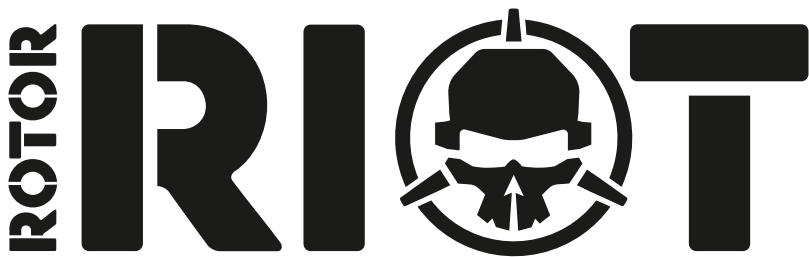


ROTOR RIOT

The logo for Rotor Riot features the word "ROTOR" in a vertical, bold, sans-serif font on the left. To its right is the word "RIOT" in a large, bold, sans-serif font. The letter "O" in "RIOT" is replaced by a circular icon containing a stylized, black silhouette of a riot helmet with a visor and a central crest.

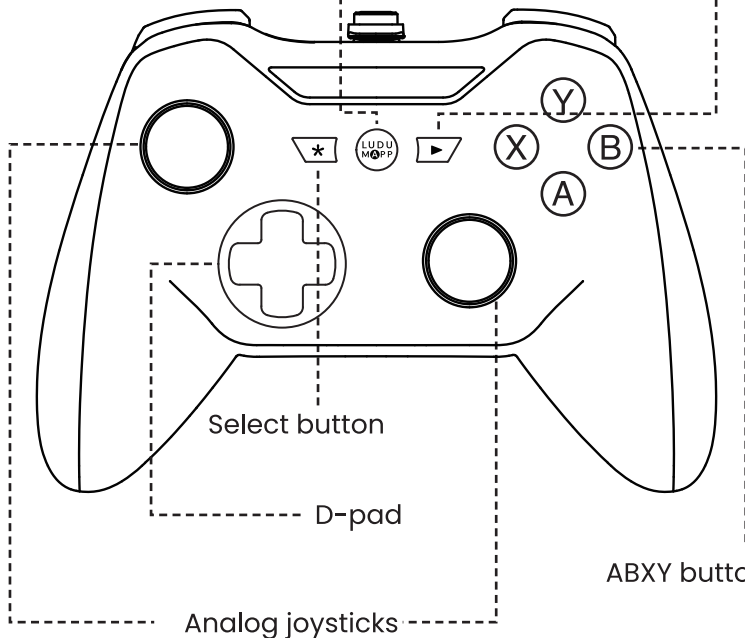
SET UP GUIDE

Rotor Riot Controller for Android

ENGLISH

Ludu Mapp launcher

Start button

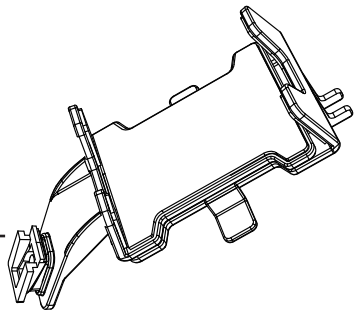
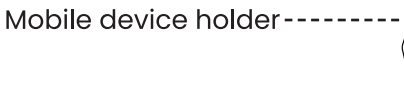
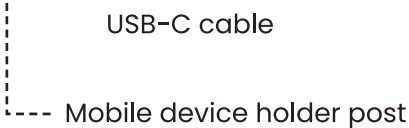
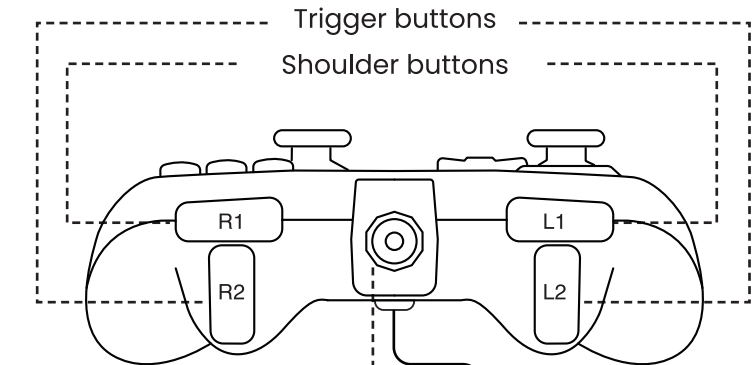


Select button

D-pad

ABXY buttons

Analog joysticks



USB-C CONNECTION

Ensure your phone is safe and secure in the provided mobile device holder, then connect your device using the built in USB-C connected cable. Alternatively you can connect the built in cable directly to a device without using the device holder. There are tabs on the mobile device holder for simple wire management.

DEVICE HOLDER POST

Unscrew the the locking nut and remove. Place the mobile device holder so the rectangle opening is flush with the raised section. Replace nut and screw back on, be careful not to over tighten.

SUPPORT

For customer support for your Rotor Riot controller please contact support@RotorRiotPlay.com

LUDU MAPP

AFFILIATE APP

Rotor Riot is the official controller of the Ludu Mapp app. There are hundreds of controller compatible games and uses available via the app. Additionally Ludu Mapp will share great offers, walkthroughs and tips for your favorite controller compatible games.

Download Ludu Mapp from The Google Play Store.