

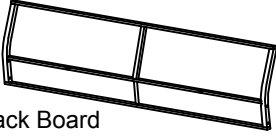


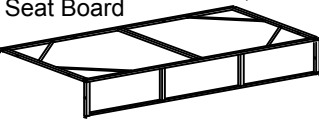




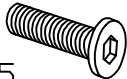



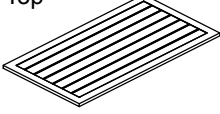
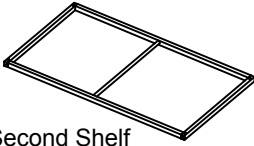

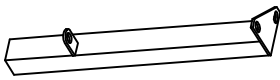


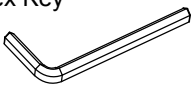



PF19009

PatioFestival

Packing List

PF19009

A	 Back Board	1PC
B	 Left Armrest	1PC
C	 Right Armrest	1PC
D	 Seat Board	1PC
E	 Metal Connector	2PCS
F	 Screw M6*60	8+3 PCS
G	 Screw M6*50	2+1 PCS
H	 Screw M6*20	16+5 PCS
I	 Screw M6*35	2+1 PCS
	 Back Cushion	2PCS

A1	 Table Top	1PC
B1	 Second Shelf	1PC
C1	 Table Leg	2PCS
D1	 Table Leg	2PCS
J	 Screw Cap	10+3 PCS
K	 Washer	38+6 PCS
L	 Hex Key	1PC
N	 Wrench	1PC
	 Seat Cushion	2PCS
	 Pillow	2PCS

Assembly Tips:

Please use the hardware and accessories included in the set. DO NOT use other electrical or manual tools. In order to facilitate the assembly and make your final product firm and stable, please tighten by a few rounds each screw one by one. After all screws are connected, then you start to tighten each screw to the end.

DO NOT tighten any screw to the end before you've connected all screws.

The assembly requires minimal level of DIY skills if you follow the instructions carefully. In case you encounter any difficulty or have any questions, feel free to contact the store or manufacturer.