



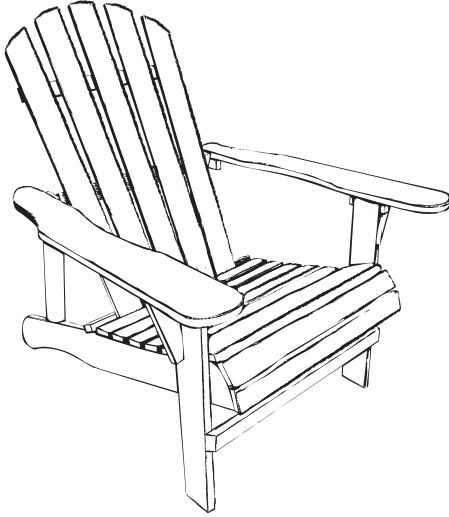
PatioFestival

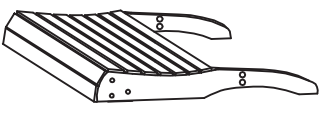

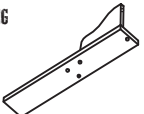
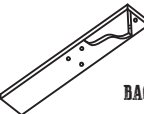


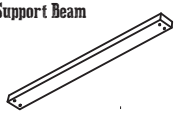
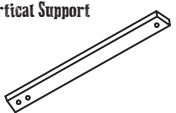
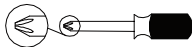



# ADIRONDACK CHAIR

ITEM# PF18220

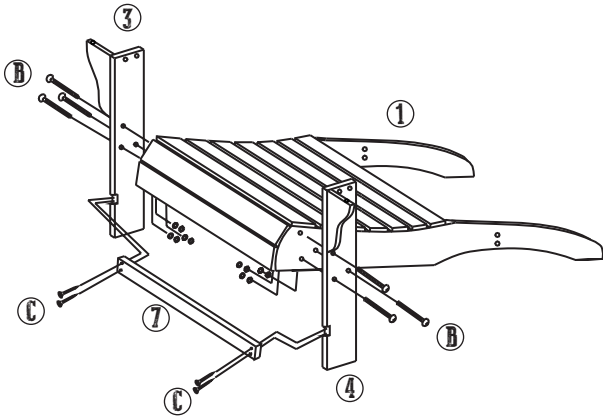
**IMPORTANT: READ CAREFULLY BEFORE BEGINNING!**

- Make sure that all parts and hardware are present before assembly.
- Assemble on a non-marring and level surface
- Do not completely tighten all nuts and bolts until the chair is fully assembled.

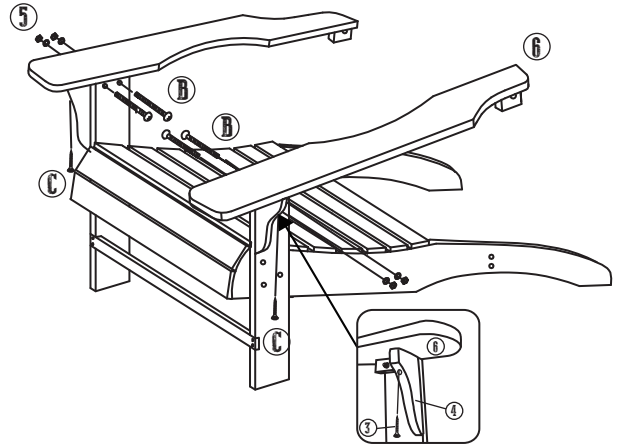


PARTS AND HARDWARE LIST			
①		②	
SEAT PANEL  X 1PC		BACK PANEL  X 1PC	
③	④	⑤	
RIGHT LEG 	LEFT LEG  BACK	RIGHT ARM REST  X 1PC	
⑥	⑦	⑧	
LEFT ARM REST  X 1PC	Front Support Beam  X 1PC	Back Vertical Support  X 2PCS	
<b>Tools required for assembly</b>		Ⓐ M06-7	Ⓑ M06-5
Socket & Wrench  Phillips Screwdriver		Ⓒ S04-4	
NUT & BOLT X 2PCS 		NUT & BOLT X 14PCS 	
SCREW X 10PCS 			

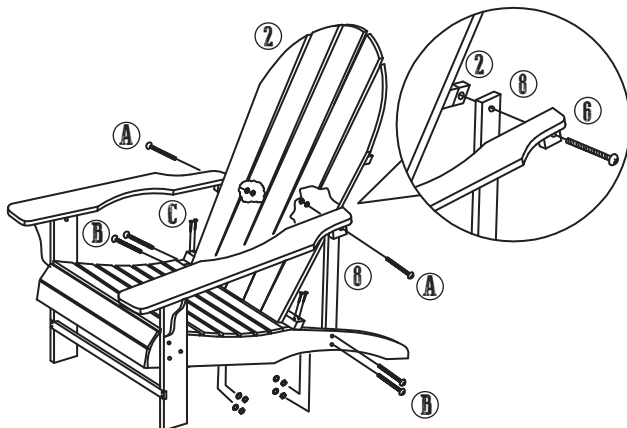
**STEP 1: KEEP ALL NUTS AND BOLTS LOOSE DURING ASSEMBLY**



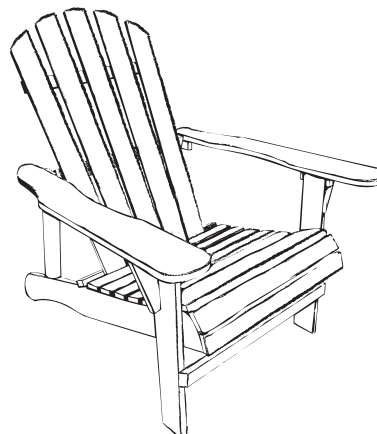
**STEP 2:**



**STEP 3:**



**STEP 4: Finish**



**TIGHTEN ALL NUTS, BOLTS, & SCREWS LAST**

**Congratulations on your assembly!**