



PatioFestival

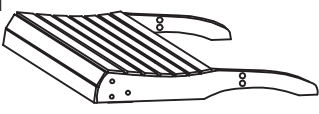

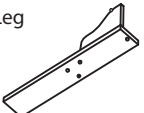
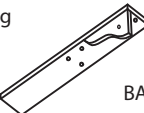
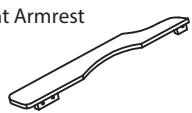

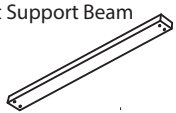
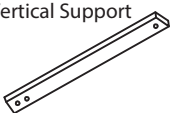
PLEASE READ CAREFULLY BEFORE ASSEMBLY.

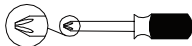



- Make sure that all parts and hardware are present before assembly.
- Assembly work should be performed on a soft and flat surface to avoid scratch during assembly.
- In order to facilitate the assembly and make your final product firm and stable, please tighten by a few rounds each screw one by one. After all screws are connected, then you start to tighten each screw to the end.

ADIRONDACK CHAIR

ITEM# PF18220



PARTS AND HARDWARE LIST		
①	②	
Seat Panel  X 1PC	Back Panel  X 1PC	
③	④	⑤
Right Leg  X 1PC	Left Leg  BACK X 1PC	Right Armrest  X 1PC
⑥	⑦	⑧
Left Armrest  X 1PC	Front Support Beam  X 1PC	Back Vertical Support  X 2PCS

Tools required for assembly	Ⓐ N06-7	Ⓑ N06-5	Ⓒ S04-4
Socket & Wrench  Phillips Screwdriver	 Nut & Bolt X 2PCS	 Nut & Bolt X 14PCS	 Screw X 10PCS

