

VDM-001 Verge Digital Modbus Display

Data Sheet

Features

VDM-001 Verge Modbus Digital Display with a bright display, ensuring optimal visibility in industrial environments and making available more information for the operator as well as a scrolling Help function.

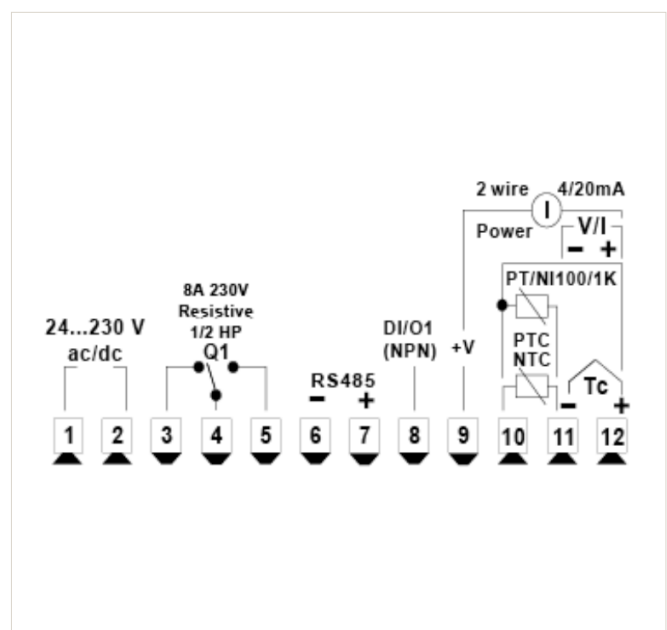
Has Modbus connectivity and Universal input as well as Digital output

This can work to allow for better Captis performance, as its input is universal, in addition the relay output can instigate other activities on the Captis such as data send and fast logging.

Specifications

Main Parameters

- Inputs** PT100/1000 Thermocouple, mA, V, mV, Ohms
- IP rating** IP65
- Power** 24VDC
- Output 1** Modbus
- Output 2** Relay
- Size** 32 x 74 (front) x 53 mm



Compatible With:
Captis Multi, Captis Power Plus, Captis
Solar.

Contact

9 Gray Street
Golden Square VIC 3555 Australia

PO Box 2375
Bendigo DC VIC 3554 Australia

T 13 000 VERGE
E sales@vergesolutions.com.au

vergesolutions.com.au