

Congratulations on your selection of our SBW201K replacement kit for the EFG201 thermostat. If fitted correctly this heavy duty Diamond H thermostat will be a superior replacement to the original thermostat in both durability and thermal accuracy. This wire for wire guide should allow for an easy upgrade for an experienced technician however there are some minor function changes that should be noted for the customer.

SBW201K Service Kit.

Specifications

- 6mm Shaft
- Max cont. Load 16Amp 240V
- Bush mount.
- Oven, Grill, Pilot Support
- Cooling & Oven Fan Support
- Rated to 125 Deg C Ambient

Contents Of Kit

ET54 Thermostat preconfigured.
2x 90Deg Flag Terminal & silicone boot

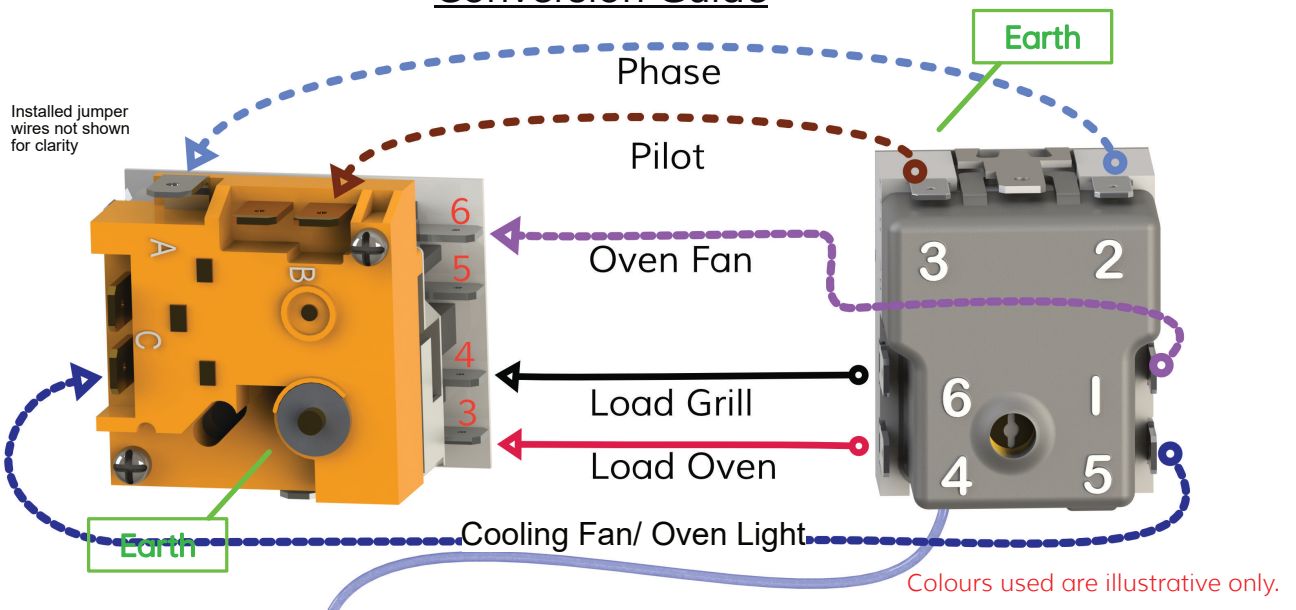
Function Changes

Please Note & Inform Customer-

This service kit has been designed to replace a thermostat that is no longer available from the original component manufacturer. Some minor changes in operation have resulted-

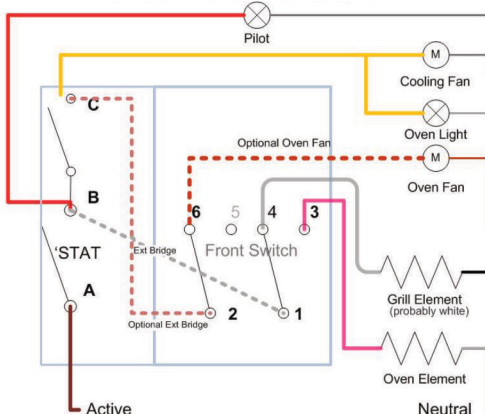
- Indexing (the click when rotating) feedback is much softer
- Rotation Stops at Grill Position

Conversion Guide



Notes. Smiths recommends that this service component is installed by a qualified technician. Incorrect installation may result in voiding warranties. Ensure that appliance is completely disconnected from power supply before attempting repair.

Wiring Diagram



Conversion Chart

EFG 201	Connection	SBW201K	
3	Pilot	B	
4	Oven Element	3	
6	Grill Element	4	
1	Oven Fan	6	If Fitted
5	Light/Cooling Fan	C	
2	Active/Phase	A	Check for safe clearance

External Jumper 1-B required for Oven & Grill operation