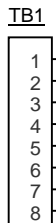


VP PROCESS INC		
Title Pi-SPI-8AI 8 Channel Analog Input Module		
Size A	Document Number VP-2611	Rev A
Date:	Saturday, November 05, 2016	Sheet 1 of 2

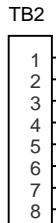
4 - 20 mA
Inputs

COM
A1
A2
+V
COM
A3
A4
COM

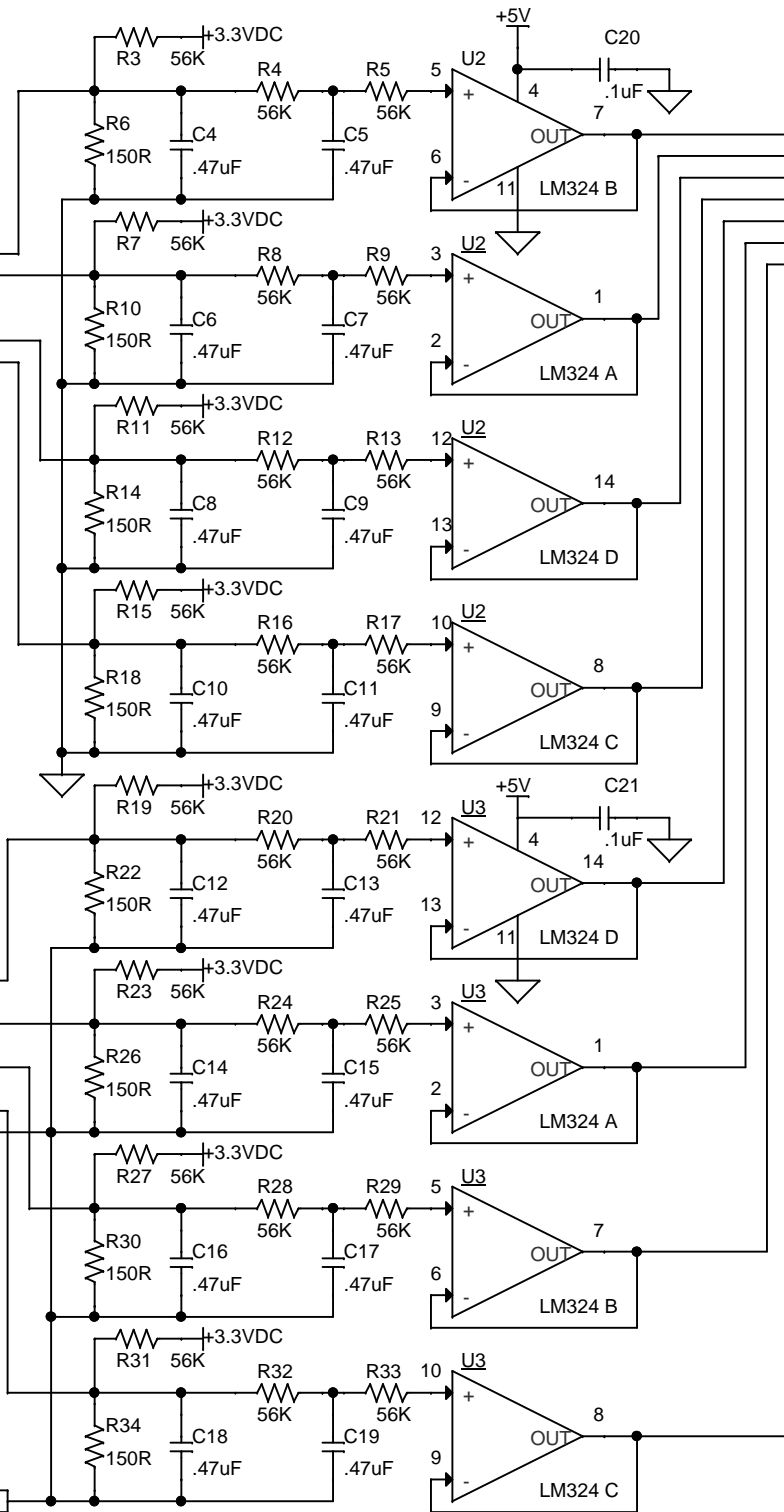


Voltage
Inputs

A5
COM
A6
COM
A7
COM
A8
COM



ANALOG GND



VP PROCESS INC		
Title		
Pi-SPI-8AI 8 Channel Analog Input Module		
Size	Document Number	Rev
A	VP-2611	A
Date:	Saturday, November 12, 2016	Sheet 2 of 2