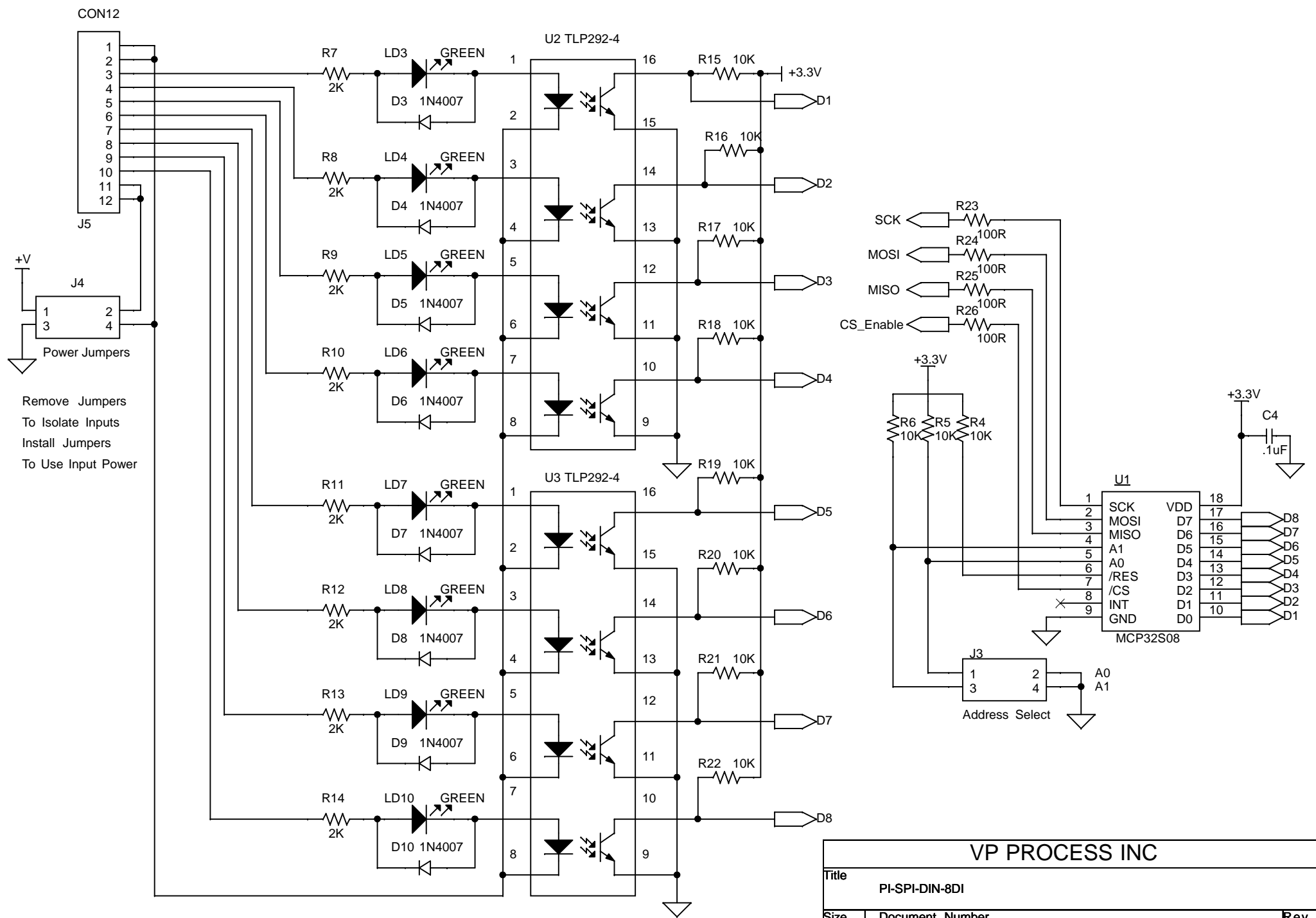


| | | |
|-------------------------|-----------------------------|--------------|
| VP PROCESS INC | | |
| Title PI-SPI-DIN-8DI | | |
| Size A | Document Number VPE-2730 | Rev B |
| Date: | Wednesday, August 16, 2017 | Sheet 1 of 1 |



Remove Jumpers
To Isolate Inputs
Install Jumpers
To Use Input Power

| | | |
|-----------------------|----------------------------|--------------|
| VP PROCESS INC | | |
| Title | | |
| PI-SPI-DIN-8DI | | |
| Size | Document Number | Rev |
| A | VPE-2730 | B |
| Date: | Wednesday, August 16, 2017 | Sheet 1 of 1 |