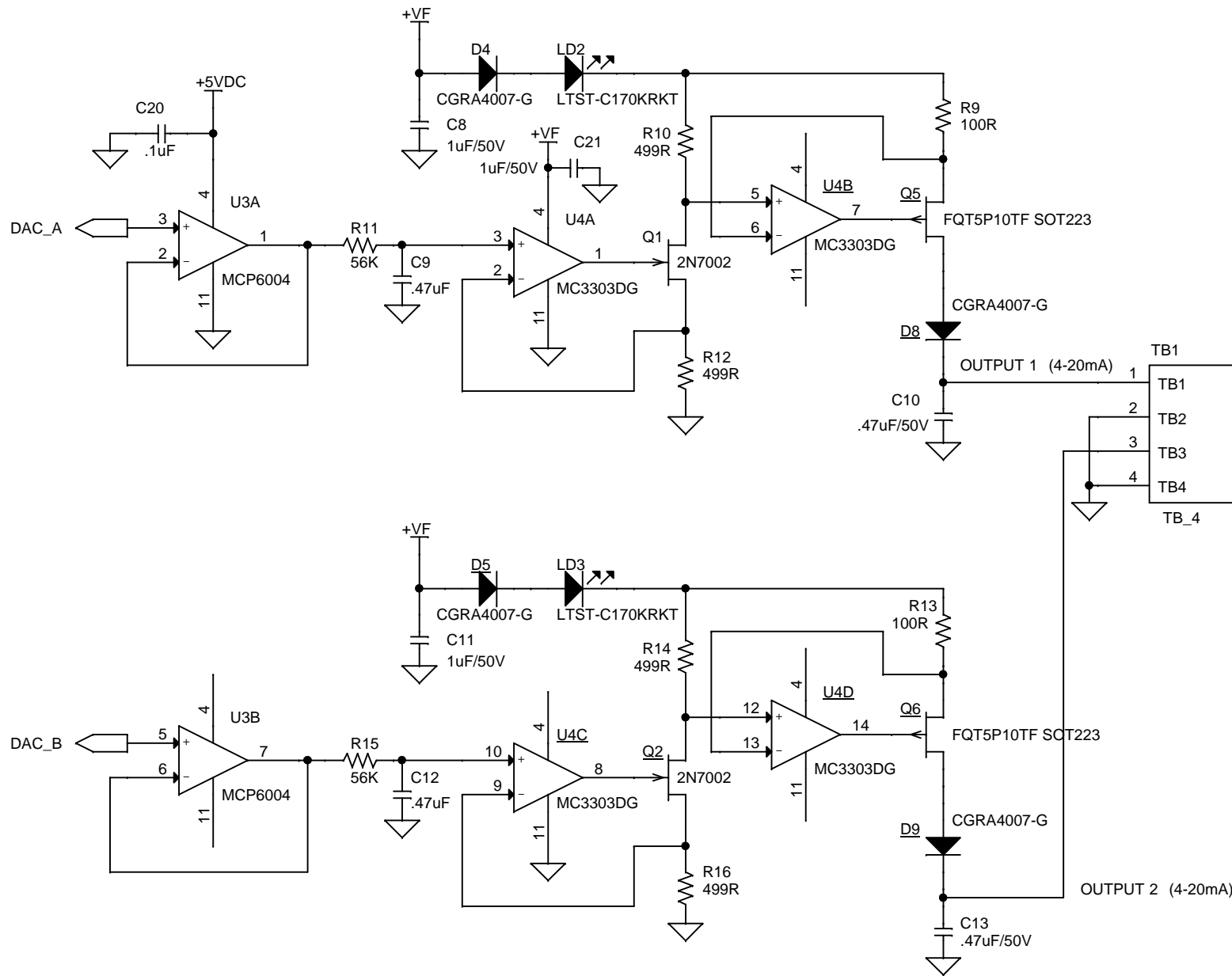
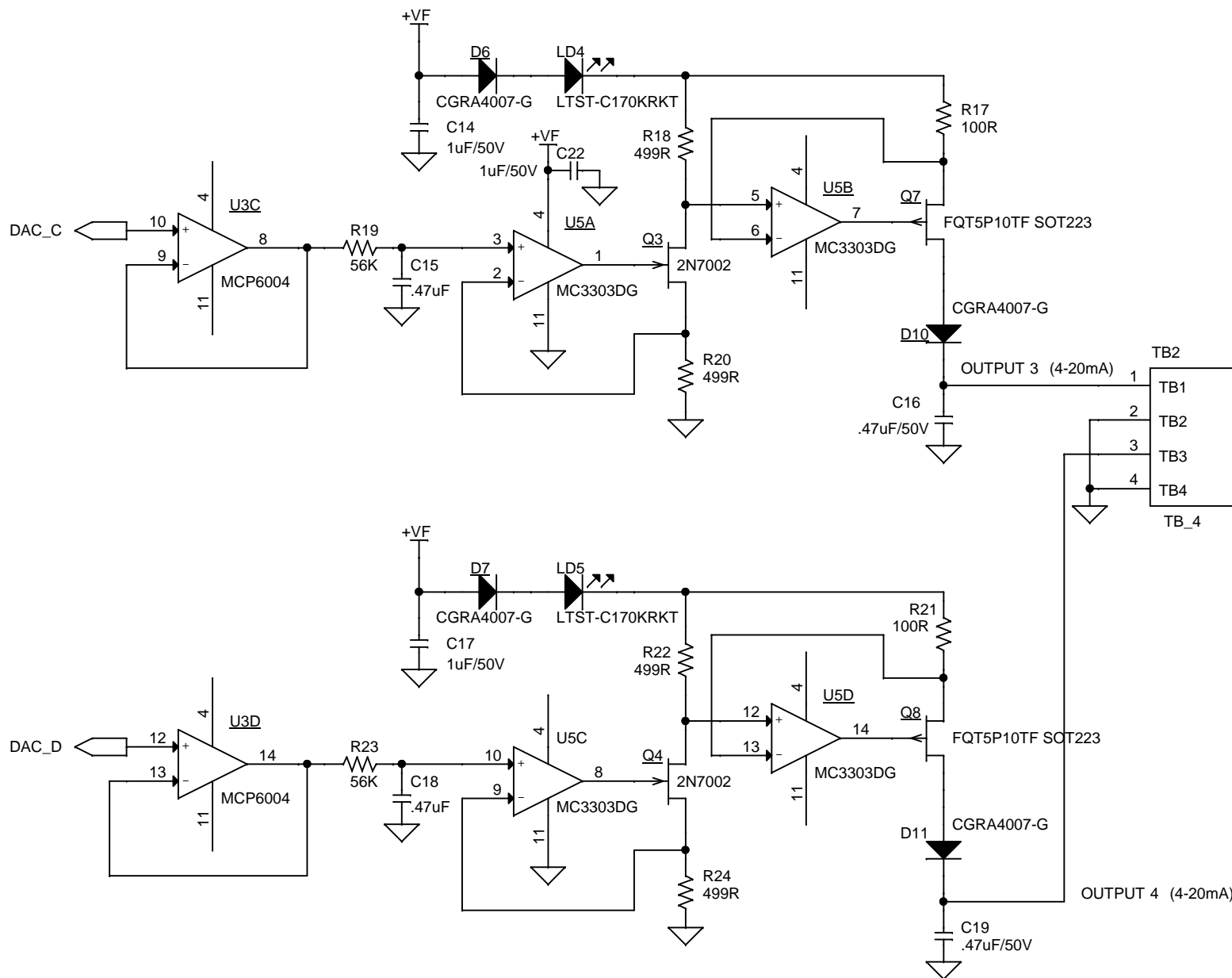


| | | |
|-----------------------|---------------------------|--------------|
| VP PROCESS INC | | |
| Title | | |
| PI-SPI-DIN-4AO | | |
| Size | Document Number | Rev |
| A | VPE-2720 | A |
| Date: | Thursday, August 17, 2017 | Sheet 1 of 3 |



| | | |
|-----------------------|---------------------------|--------------|
| VP PROCESS INC | | |
| Title | | |
| PI-SPI-DIN-4AO | | |
| Size | Document Number | Rev |
| A | VPE-2720 | A |
| Date: | Thursday, August 17, 2017 | Sheet 2 of 3 |



| | | |
|-----------------------|---------------------------|--------------|
| VP PROCESS INC | | |
| Title | | |
| PI-SPI-DIN-4AO | | |
| Size | Document Number | Rev |
| A | VPE-2720 | A |
| Date: | Thursday, August 17, 2017 | Sheet 3 of 3 |