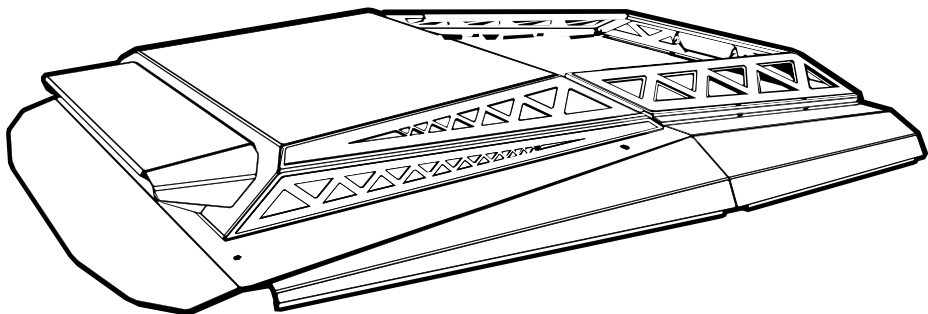


RZR 900/1000/TURBO 4-SEAT AUDIO ROOF & LED LIGHT SYSTEM

P/N: TF-RZR-1K4-L3



THUMPER FAB

Aluminum Audio Roofs ♦ Bumpers & Roll Cages ♦ UTV Accessories

Thumper Fab

5103 Elysian Fields Rd, Marshall, Tx 75672

Customer Service: 903-472-0928

www.thumperfab.com

RZR 900/1000/TURBO 4-SEAT

AUDIO ROOF & LED LIGHT SYSTEM

P/N: TF-RZR-1K4-L3



FEATURES

- Rockford PMX-0 Bluetooth Receiver
- Rockford Prime 6" x 9" 3-way speakers (4)
- Rockford Prime R2 10" Subwoofer
- Rockford Punch PBR300X4 400 watt Amp
- Rockford Punch PBR300X1 300 watt Amp
- 20" Quad Row Front LED Light Bar
- 6" Rear LED Light Bar
- RGB LED Bluetooth Rock Lights (3)
- 4-button Control Panel

PARTS

REF	QTY	PART DESCRIPTION
1	4	1-inch Foam Tape
2	2	U-nut Clip
3	4	Tube Clamp Assembly
4	10	5/16" x 1.25 Button Head Bolt
5	4	5/16" Flat Washer
6	8	5/16" Nylock Nut
7	8	5/16" Bonded Washer
8	1	60 Amp In-Line Fuse

TOOLS REQUIRED

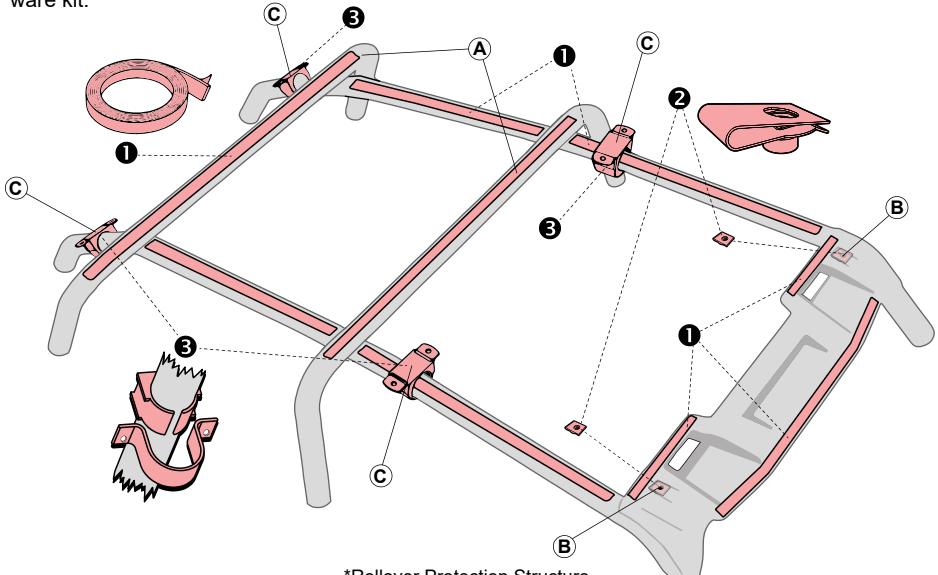
- Scissors
- 1/2" Combination Wrench
- 3/16" Hex Wrench

BEFORE YOU BEGIN

If you do not feel comfortable installing your **Thumper Fab** audio roof, please see your nearest **Polaris® Dealer** for installation.

INSTALLATION INSTRUCTIONS

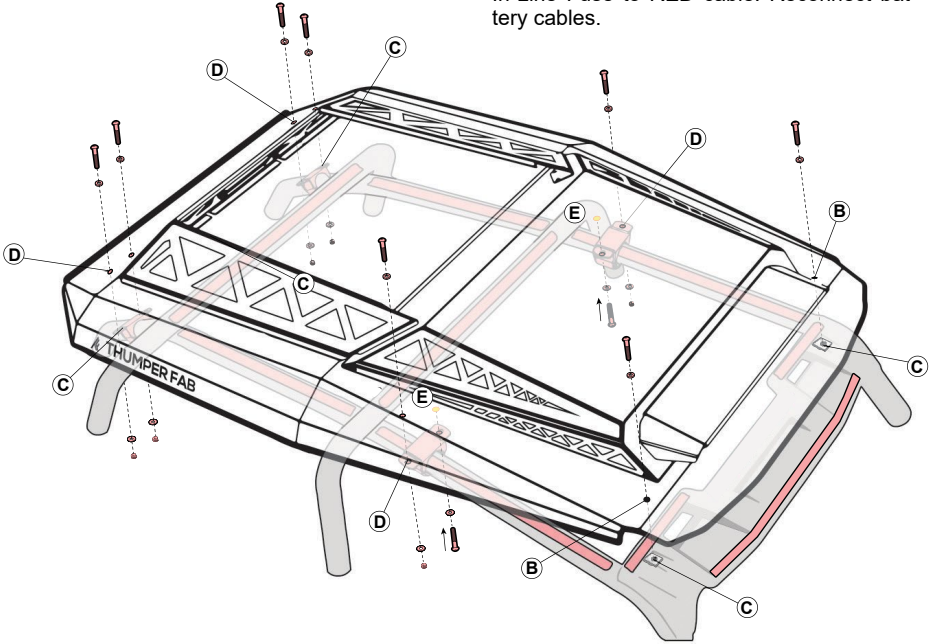
1. Install 1-inch foam tape **1** on front, rear, center, and side edges of ROPS* **A** as shown. Cut tape to fit. Make sure all nine locations are covered.
2. Remove the two stock u-nut clips **B** from the under side of the visor on the front of vehicle and replace with included u-nut clips **2** from hardware kit.
3. Install the four tube clamps **3** to the specified locations on ROPS* **C**. The rubber inner sleeve must go on before outer metal bracket. Wait until roof is in position to install the 5/16" button head bolts.



*Rollover Protection Structure

INSTALLATION INSTRUCTIONS

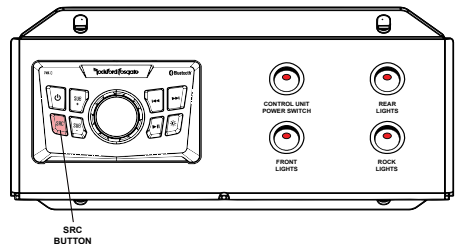
- With three or more people, lift the Thumper Fab Audio Roof over the vehicle *ROPS and guide into position. Make sure that the holes in the roof (D) line up with the mounting holes on the tube clamp brackets (C).
- From the underside of the roof, thread two bolts with two flat washers, specified below, into the gold threaded holes on underside of roof (E). This must be done before top bolts can install properly.
- Thread six bolts with bonded rubber washers from top of roof to tube clamps on rear of ROPS*. Secure with flat washers and Nylock Nuts.
- Thread remaining two bolts with bonded rubber washers to front of roof securing with U-nuts already in place from Step 2. Tighten all hardware.
- Disconnect battery cables and install 60 Amp In-Line Fuse to RED cable. Reconnect battery cables.



OPERATION INSTRUCTIONS

- Turn on power to control unit (front, center of underside of roof).
- To control interior Rock Lights, install mobile app connect via Bluetooth using QR code, or visit <http://download.appglobalmarket.com/happy-lightingdownload.html>
- To pair your device to the Rockford Fosgate PMX-0 media receiver, you will need to press "SRC" button on unit until you hear "Bluetooth Mode".
- Turn on lights & music and...

LET THE THUMPIN' BEGIN!





THUMPER FAB

Thumper Fab

5103 Elysian Fields Rd, Marshall, Tx 75672

Customer Service: 903-472-0928

www.thumperfab.com