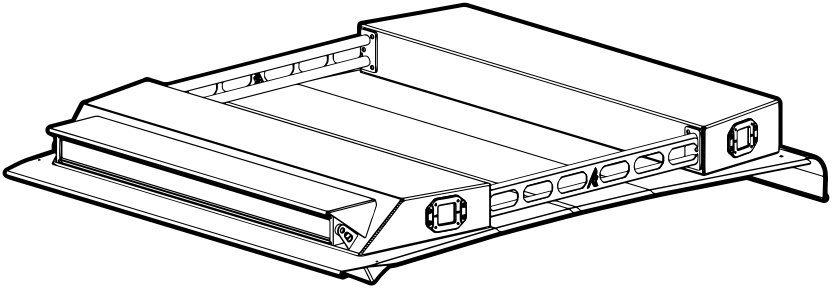


RANGER XP 900/1000 3-SEATER & CREW

AUDIO ROOF & 360° LIGHT SYSTEM

P/N : TF-RGR1000-L0, L1, L2, TF-RGRC1000-L0, L1, L2, L3



THUMPER FAB

Aluminum Audio Roofs ♦ Roll Cages ♦ UTV Accessories

Thumper Fab

5103 Elysian Fields Rd, Marshall, Tx 75672

Customer Service: 903-472-0928

www.thumperfab.com

RANGER XP 900/1000 3-SEAT & CREW

AUDIO ROOF & 360° LIGHT SYSTEM



THUMPER FAB

P/N TF-RGR1000-L0, L1, L2 & TF-RGRC1000-L0, L1, L2, L3

FEATURES

- Rockford PMX-0 media receiver w/ Bluetooth®
- Rockford Prime 6"× 9" 3-way speakers (4)
- Rockford Prime R2 10" Subwoofer
- Rockford Punch PBR300X4 300 watt Amp
- Rockford Punch PBR300X1 300 watt Amp
- RGB LED Rock Lights w/ Bluetooth® (4)
- 40" Quad Row Front LED Light Bar (1)
- 3" Side/Rear LED Cube Lights (6)
- 2 Year Warranty

TOOLS REQUIRED

- Safety Glasses
- 1/2" Socket & Ratchet
- 1/2" Combination Wrench
- Allen Wrench (included)

BEFORE YOU BEGIN

If you do not feel comfortable installing your **Thumper Fab** audio roof, please see your nearest **Polaris® Dealer** for installation

PARTS

REF	QTY	PART DESCRIPTION
1	1	Thumper Fab TF-RGRC1000 Audio Roof

INCLUDED IN HARDWARE KIT

REF	QTY	PART DESCRIPTION
2	2	Rear Mounting Assembly (2.1-2.7)
3	1	Vertical Bar Clamp Kit (3.1-3.5)
4	2	D-foam Insulation
5	1	60 Amp In-Line Fuse Box
6	3	Battery Cables (2 red, 1 black)

REF	QTY	PART DESCRIPTION
7	6	Spare Fuses
8	2	Panel Decals (extra)
9	1	Allen Wrench (in Vertical Clamp kit)
10	1	PMX-0 Media Receiver Manual
11	1	Ranger Audio Roof Manual

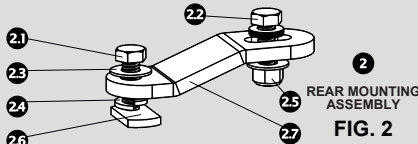
INCLUDED ON AUDIO ROOF

REF	QTY	PART DESCRIPTION
1.1	3	5/16" x Nut
1.2	3	5/16" Flat Washer
1.3	2	Center Mounting Bracket
1.4	2	5/16" x 1.5 Bolt

REF	QTY	PART DESCRIPTION
1.5	2	5/16" Flat Washer
1.6	2	5/16" Nut
1.7	1	Power Supply Cord

REAR MOUNTING ASSEMBLY

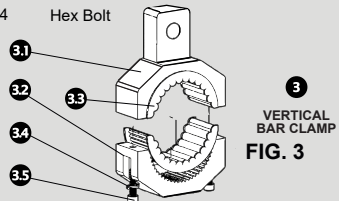
REF	QTY	PART DESCRIPTION
2.1	4	5/16" x 1 Bolt
2.2	2	5/16" Bonded Washer
2.3	4	5/16" Flat Washer
2.4	2	5/16" Lock Washer
2.5	2	5/16" Nut
2.6	2	5/16" Spot Weld Nut
2.7	2	Z-Bracket



VERTICAL BAR CLAMP

(KIT NOT INCLUDED WITH 3-SEATER TOPS)

REF	QTY	PART DESCRIPTION
3.1	2	Top Fastener
3.2	2	Bottom Fastener
3.3	4	Rubber Insert
3.4	4	Lock Washer
3.5	4	Hex Bolt



INSTALLATION INSTRUCTIONS

1. Install D-foam Insulation on sides of roof. Make sure foam sits between audio roof and ROPS*. Trim excess if needed. (FIG. 4)

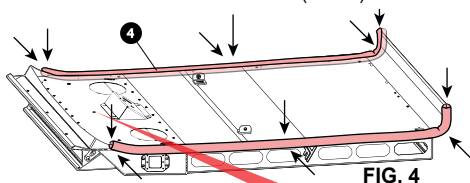


FIG. 4

2. Remove the three sets of nuts and washers from LH, RH, and Center bolts on front of roof and retain for use in STEP 6. Leave Standoff and O-ring in place. (FIG. 5)

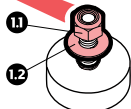


FIG. 5

3. Remove bolts, washers, and nuts from both rear mount Z-Brackets included in Hardware Kit. (FIG. 2)

4. Install lower, non-slotted side of Z-Bracket to ROPS*. Repeat on opposite side. (FIG. 6)

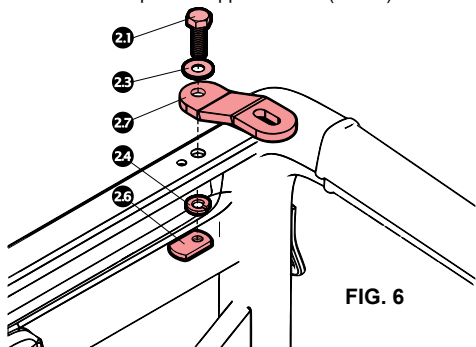


FIG. 6

5. Lay Audio Roof on top of ROPS*. Align rear mounting holes on Audio Roof with upper, slotted side of Z-bracket and loosely install using the bolts, washers, and nuts from Step 4. (FIG. 7)

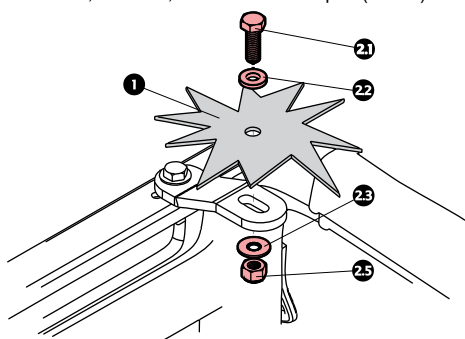


FIG. 7

6. Install front of roof to ROPS* using retained nuts and washers from step 2. Make sure Standoffs and O-rings sit between the audio roof and the ROPS. (FIG. 8)

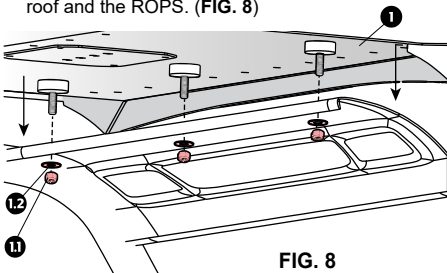


FIG. 8

7. You may now fully tighten the three front nuts and two rear spot weld nuts to the ROPS* using a 1/2" socket and wrench.

3-seat models TF-RGR1000-L0, TF-RGR1000-L1 & TF-RGR1000-L2 should skip to step 9.]

8. Install Vertical Bar Clamp (FIG.3), included in Hardware Kit, to Center Mounting Bracket (on Audio Roof) and ROPS* using rubber inserts. (FIG. 9)

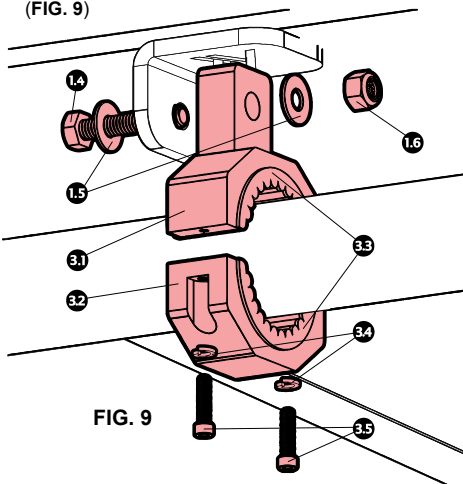
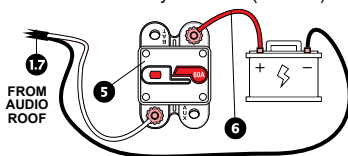


FIG. 9

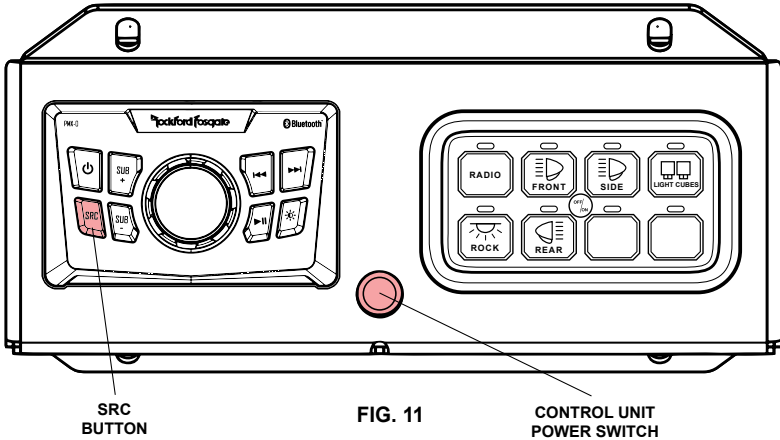
9. Lift rear seat and disconnect black negative (-) and red positive (+) cable from battery.
10. Run Power Supply Cord from Audio Roof to the In-Line Fuse, then run Battery Cables from Hardware Kit to battery terminal. (FIG. 10)



*Rollover Protection Structure

OPERATION

1. Turn on power to Control Unit (front, center of underside of roof). (FIG. 11)
2. Install mobile app to connect via Bluetooth® to 8-panel Control Switch using QR code, or visit <http://download.appglobalmarket.com/happylightingdownload.html>
3. To pair your device to the Rockford Fosgate® PMX-0 media receiver, you will need to press "SRC" button on unit until you hear "Bluetooth Mode". (FIG. 11)



4. Turn on lights & music and...

LET THE THUMPIN' BEGIN!



THUMPER FAB

Thumper Fab

5103 Elysian Fields Rd, Marshall, Tx 75672
Customer Service: 903-472-0928

www.thumperfab.com