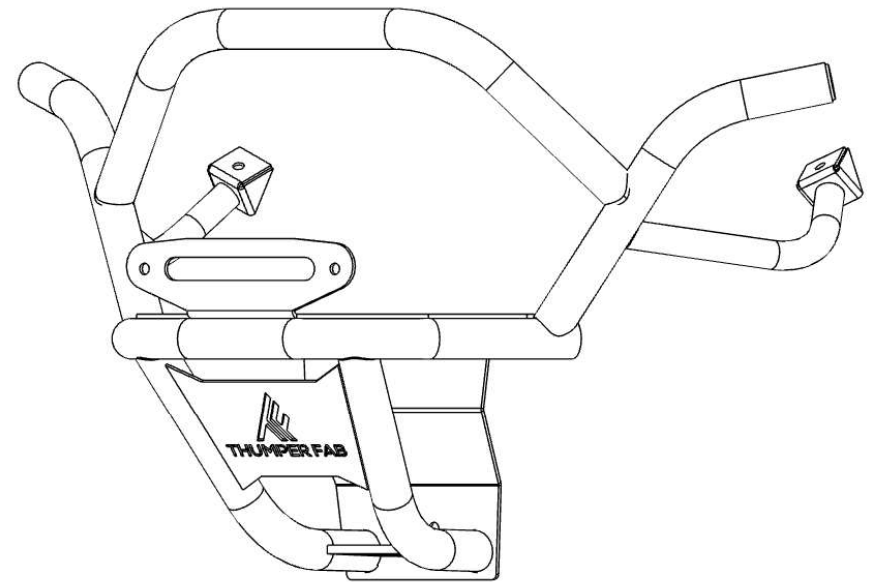


# THUMPER FAB

Aluminum Audio Roofs ♦ Bumpers & Roll Cages ♦ UTV Accessories

## **POLARIS RZR** **EXTREME FRONT WINCH BUMPER**

P/N: TF020501



5103 Elysian Fields Rd, Marshall, Tx 75672  
Customer Service: 903-472-0928

[www.thumperfab.com](http://www.thumperfab.com)

**Thumper Fab**

5103 Elysian Fields Rd, Marshall, Tx 75672  
Customer Service: 903-472-0928

[www.thumperfab.com](http://www.thumperfab.com)

**Tools**

- 13mm & 19mm Socket Wrench
- 13mm & 19mm Wrench
- Cutt-off/Dremel Tool

**Hardware**

Description	Quantity
Mount Brackets	2
1/2"x3/4" Hex Bolt	2
10mm Flat Washer	4
M10 Lock Nut	2
M10 x 30mm Hex Bolt	2
12mm Flat Washer	4
M12 Lock Nut	2
M12 x 30mm Hex Bolt	2
7/16" Flat Washer	2

**Remove the Stock Bumper**

If applicable, use the 13mm and 19mm socket to remove the four bolts holding the stock bumper from the front of the unit shown in **Figure 1**.



**Figure 1**



**Figure 10**

**Install the Winch**

Follow manufacture guide for winch installation.



Figure 8

### Install the Mounting Bracket

Loosly attach the mounting brackets to the frame, then align the brackets with the bumper mounting points, shown in **Figures 9 & 10**. Once aligned, tighten down the hardware.



Figure 9

### Remove the Winch Cover

Remove the front winch cover using the 13mm socket on the two hex bolts, shown in **Figure 2**.



Figure 2

### Remove the Front Fascia

Using the 13mm socket remove the six hex bolts attaching the front fascia to the unit, shown in **Figure 3**. Carefully disconnect the wiring harness on the back of the front headlights. Finally remove the front fascia, shown in **Figure 4**, and set aside.

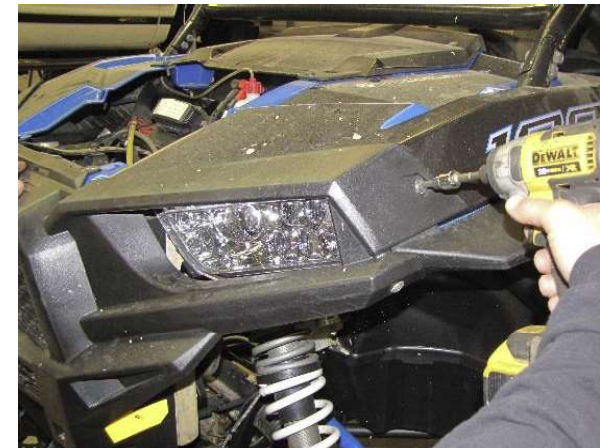


Figure 3





Figure 4

### Trim the Front Fascia

Use the cutt-off/dremel tool remove the material shown in **Figure 5**.



Figure 5

### Reattach the Front Fascia

Carefully reconnect the light harness and use the 13mm socket to reattach the front fascia.

### Installing the Extreme Winch Bumper

Attach the Extreme Winch Bumper using the provided hardware, shown in **Figure 6, 7, & 8**. *Note if unit does not have weld nuts on the frame, use the M10 x 30mm hex bolt inserted throught the bumper and frame fastened with a lock nut.*



Figure 6



Figure 7