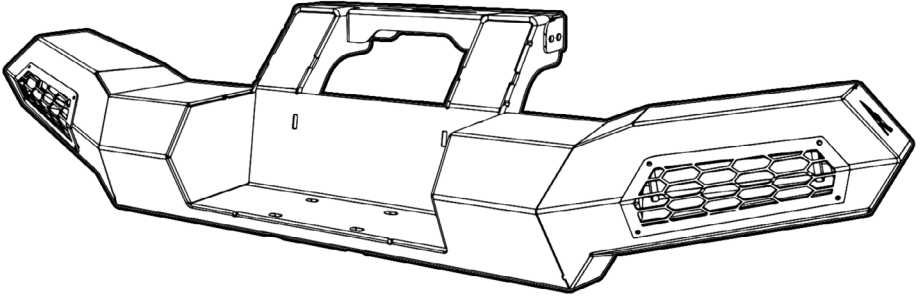


2016+ Polaris General Winch Ready Rear Bumper

P/N: TF-GEN-RWB-X, TF-GEN-RWB-XL, TF-GEN-RWB-B, TF-GEN-RWB-BL



THUMPER FAB

FEATURES

- CNC laser cut & formed 3/16" AND 1/8" steel
- Extreme Duty 3 stage powder coat
- 6" LED Light Ready
- Customize light grill colors to match your ride!
- CNC precision cut holes for ATV winch mount (Up to 3500 lbs)
- Winch mounting area: 14.75" x 5" x 4.25"
- All Stainless Steel Hardware

TOOLS REQUIRED

- 1/2", Combination Wrench
- 1/2", 9/16", 11/32", & 13mm Socket
- 9/64" Allen Wrench

PARTS

REF	QTY	PART DESCRIPTION
1	2	Light Grill
2	2	"L" Mounting Bracket
3	8	#8-32 Nylock Nut
4	8	#8-32 x 1/2" Socket Cap Screw
5	8	5/16" x 1" Hex Cap Screw
6	8	5/16" Nylock Nut
7	16	5/16" Flat Washer
8	4	3/8" x 1-1/8" Hex Cap Screw
9	8	3/8" Flat Washer
10	4	3/8" Nylock Nut
11	1	Bumper Light Wiring Harness

5103 Elysian Fields Rd, Marshall, Tx 75672 | Customer Service: 903-472-0928

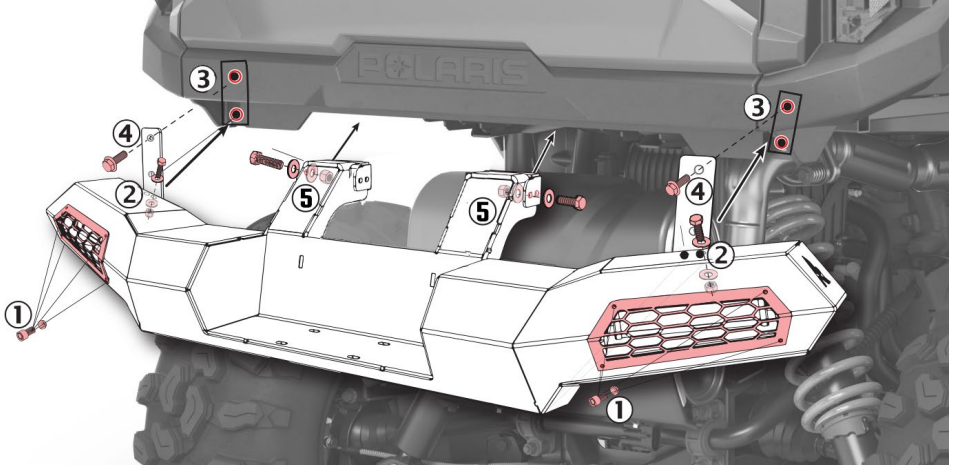
www.thumperfab.com

2016+ Polaris General Winch Ready Rear Bumper

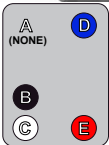
P/N: TF-GEN-RWB-X, TF-GEN-RWB-XL, TF-GEN-RWB-B, TF-GEN-RWB-BL

BUMPER INSTALLATION INSTRUCTIONS

1. Install Light Grills using **#8-32 x 1/2" Socket Cap Screws & #8-32 Nuts**.
2. Remove tailgate and (4) stock bolts from rear of vehicle.
3. **Loosely** attach left & right 'L' mounting brackets to bumper using **5/16" x 3/4" Hex Cap Screws, washers, & Nuts**.
4. Install bumper to vehicle using **stock bolts on 'L' brackets, ...**
5. Align bumper to vehicle, tighten all hardware, and replace tailgate.
6. Connect wiring harness to pulse bar on General, route through firewall, and connect to bumper lights.



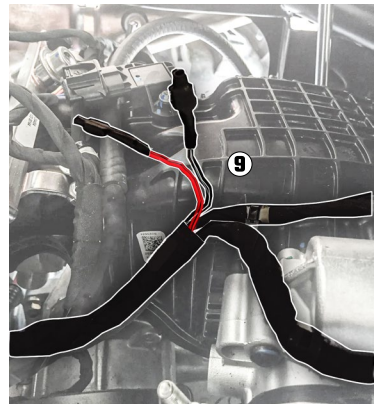
A-(blank)
B-black
C-white
D-blue
E-red



7. Install Dash Mount Rocker Switch and connect harness as labeled: **A-(leave empty), B-black, C-white, D-blue, E-red**

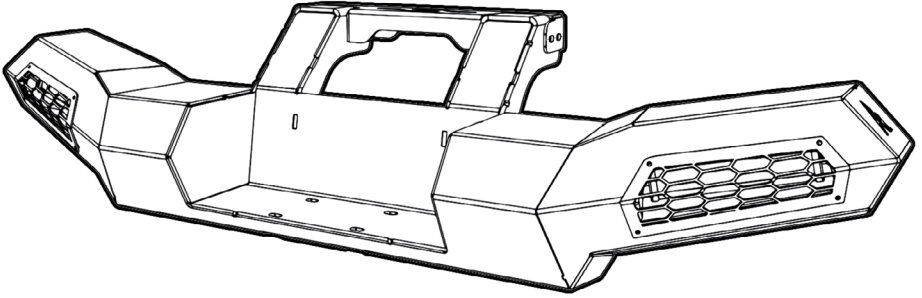
8. Depending on exhaust type, you may need to install the bed limit cable provided. This will keep bumper from interfering with exhaust or most D tire combinations. Install cable on inside of lift cylinder brackets as shown.

9. Connect reverse wire from supplied harness to negative (-) stock wiring shown in diagram. Test to make sure stock wire is ground, not power.



2016+ Polaris General Winch Ready Rear Bumper

P/N: TF-GEN-RWB-X, TF-GEN-RWB-XL, TF-GEN-RWB-B, TF-GEN-RWB-BL



THUMPER FAB

FEATURES

- CNC laser cut & formed 3/16" AND 1/8" steel
- Extreme Duty 3 stage powder coat
- 6" LED Light Ready
- Customize light grill colors to match your ride!
- CNC precision cut holes for ATV winch mount (Up to 3500 lbs)
- Winch mounting area: 14.75" x 5" x 4.25"
- All Stainless Steel Hardware

TOOLS REQUIRED

- 1/2", Combination Wrench
- 1/2", 9/16", 11/32", & 13mm Socket
- 9/64" Allen Wrench

PARTS

REF	QTY	PART DESCRIPTION
1	2	Light Grill
2	2	"L" Mounting Bracket
3	8	#8-32 Nylock Nut
4	8	#8-32 x 1/2" Socket Cap Screw
5	8	5/16" x 1" Hex Cap Screw
6	8	5/16" Nylock Nut
7	16	5/16" Flat Washer
8	4	3/8" x 1-1/8" Hex Cap Screw
9	8	3/8" Flat Washer
10	4	3/8" Nylock Nut
11	1	Bumper Light Wiring Harness

5103 Elysian Fields Rd, Marshall, Tx 75672 | Customer Service: 903-472-0928

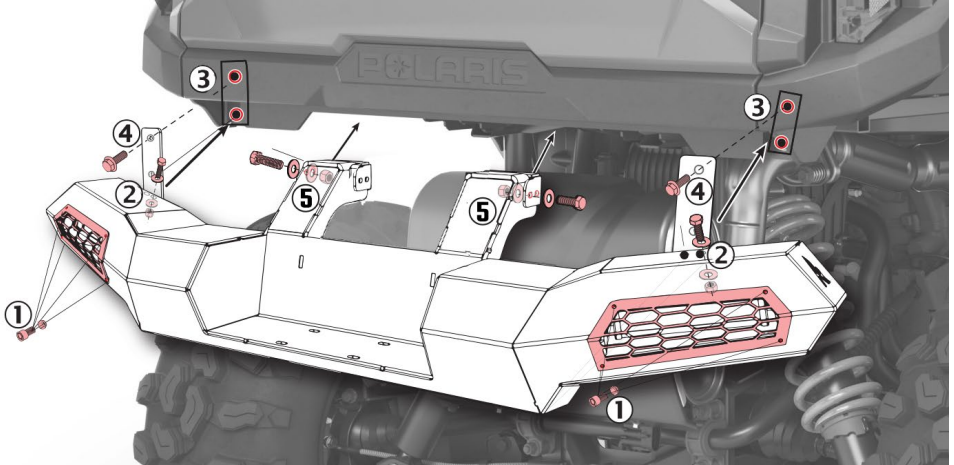
www.thumperfab.com

2016+ Polaris General Winch Ready Rear Bumper

P/N: TF-GEN-RWB-X, TF-GEN-RWB-XL, TF-GEN-RWB-B, TF-GEN-RWB-BL

BUMPER INSTALLATION INSTRUCTIONS

1. Install Light Grills using **#8-32 x 1/2" Socket Cap Screws & #8-32 Nuts**.
2. Remove tailgate and (4) stock bolts from rear of vehicle.
3. **Loosely** attach left & right 'L' mounting brackets to bumper using **5/16" x 3/4" Hex Cap Screws, washers, & Nuts**.
4. Install bumper to vehicle using **stock bolts on 'L' brackets, ...**
5. Align bumper to vehicle, tighten all hardware, and replace tailgate.
6. Connect wiring harness to pulse bar on General, route through firewall, and connect to bumper lights.

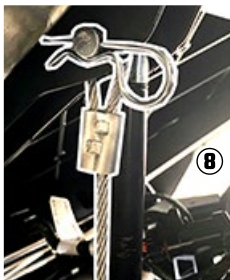


A-(blank)
B-black
C-white
D-blue
E-red



7. Install Dash Mount Rocker Switch and connect harness as labeled: **A-(leave empty), B-black, C-white, D-blue, E-red**

8. Depending on exhaust type, you may need to install the bed limit cable provided. This will keep bumper from interfering with exhaust or most D tire combinations. Install cable on inside of lift cylinder brackets as shown.



9. Connect reverse wire from supplied harness to negative (-) stock wiring shown in diagram. Test to make sure stock wire is ground, not power.

