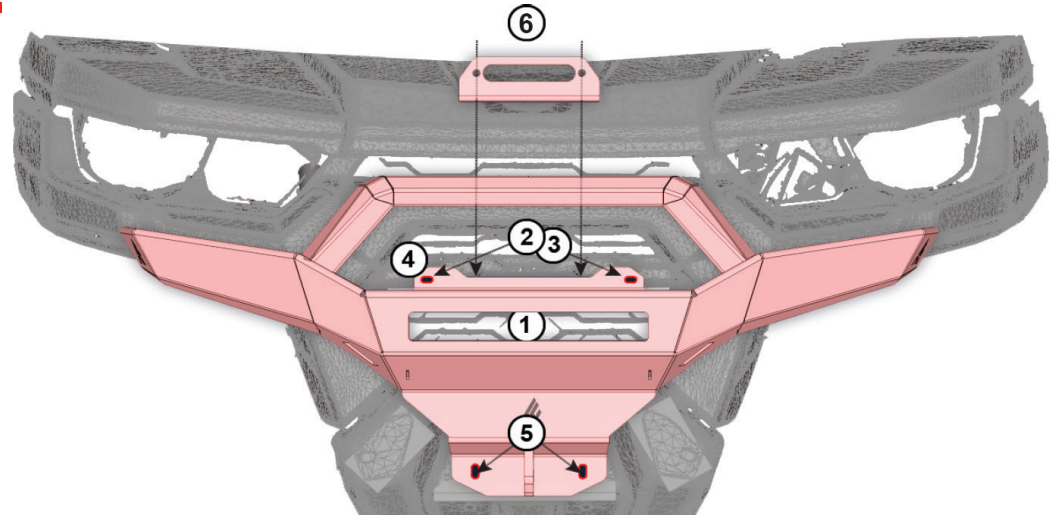


# Defender Front Winch Bumper & Optional Light Kit

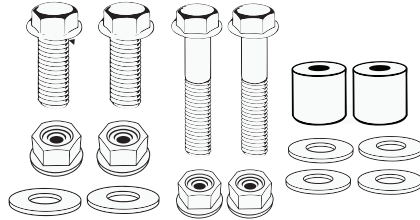
2016+ CAN-AM DEFENDER, DEFENDER MAX

P/N: TF040601



## PARTS

REF	QTY	PART DESCRIPTION
1	2	5/16" x 1.5 Flange Head Bolts
2	2	5/16" Flange Head Nuts
3	2	5/16" Flat Washers
4	2	3/8" x 1.5 Flange Head Bolts
5	2	3/8" x 1.5 Flange Nuts
6	4	3/8" Flat Washers
7	2	Standoff Bushings



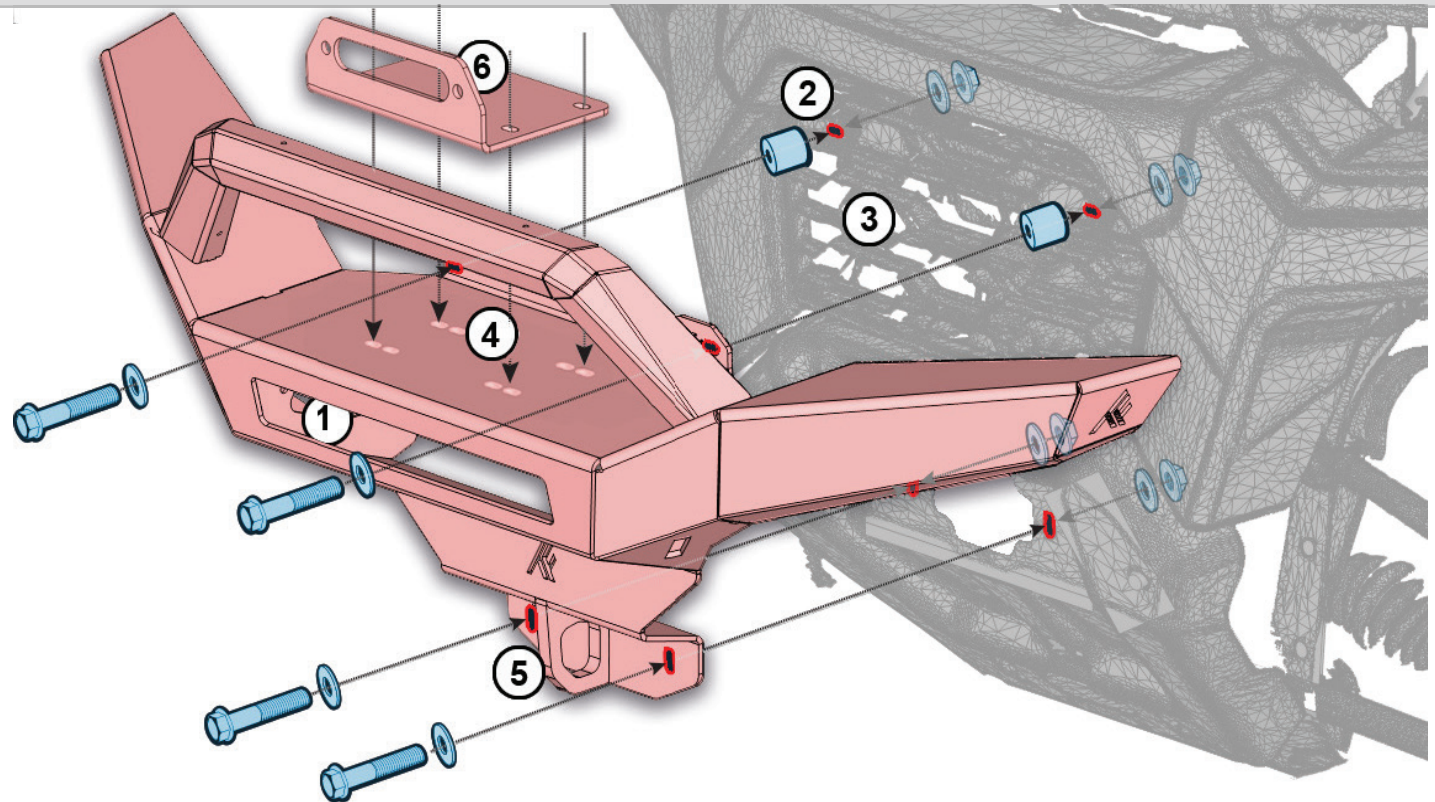
## TOOLS

- 3/8", 5/16" Socket
- 3/8", 5/16" Wrench
- 3/8" Torx bit & drill

## INSTALLATION INSTRUCTIONS

*(If you are installing the optional Light Kit, it is best to mount lights prior to bumper installation.)*

1. Mount Light to bumper using hardware included in light kit, and run wiring harness to an empty connection on power bar under hood.
2. Remove the (2) **STOCK TORX NUTS & (2) BOLTS** from front radiator grille. These will not be used in installation.
3. Place (2) **STANDOFF BUSHINGS** between radiator grille holes and bumper. Hold in place for next step.
4. Mount your Thumper Fab bumper using the longer (2) **FLANGE HEAD BOLTS, (2) FLAT WASHERS & (2) FLANGE NUTS** in top mounting holes...
5. ...and the shorter (2) **FLANGE HEAD BOLTS, (2) FLAT WASHERS & (2) FLANGE NUTS** in bottom mounting holes.  
*(continue to next steps when installing a winch)*
6. Install Winch Plate to top of bumper using the hardware included with the Plate.
7. Mount winch.



To watch installation video, go to [www.thumperfab.com](http://www.thumperfab.com)

To watch installation video, go to [www.thumperfab.com](http://www.thumperfab.com)