

# CAN-AM DEFENDER MAX AUDIO ROOF & LED LIGHT SYSTEM

P/N: TF040601

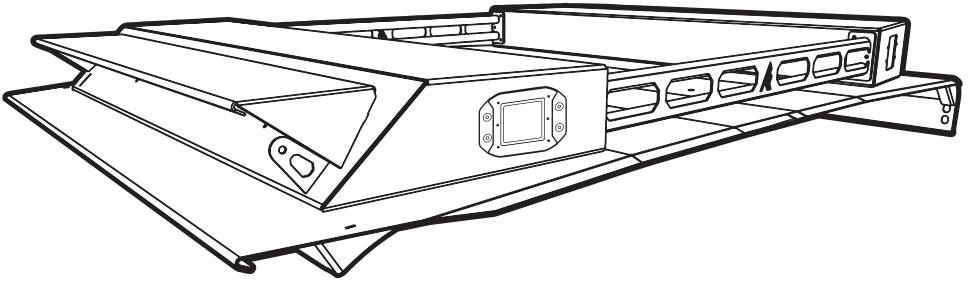
---

2017+ DEFENDER MAX (*HD 8, HD 8 DPS, HD 8 XT, HD 8 XT CAB, HD 10, HD 10 DPS, HD 10 XT, HD 10 XT CAB*)

2018+ DEFENDER MAX (*LONE STAR EDITION*)

2019+ DEFENDER MAX (*HD 10 XMR*)

2020+ DEFENDER MAX (*LIMITED*)



## THUMPER FAB

Aluminum Audio Roofs ♦ Bumpers & Roll Cages ♦ UTV Accessories

**Thumper Fab**

5103 Elysian Fields Rd, Marshall, Tx 75672

Customer Service: 903-472-0928

[www.thumperfab.com](http://www.thumperfab.com)

# CAN-AM DEFENDER MAX AUDIO ROOF & LED LIGHT SYSTEM



THUMPER FAB

P/N: TF040601

## PARTS

REF	QTY	PART DESCRIPTION
1	6	3/8" x 1-1/4" Standoff Bushings
2	2	5/16" Bonded Washers
3	4	5/16" Flat Washers
4	4	5/16" Nuts
5	2	5/16" x 2" Bolts
6	1	Tube Clamp Kit (includes 1 pair, plus hardware)
7	1	Power Cable (attached to roof)

## TOOLS

- 5/16" Drill Bit & Drill
- 1/2", 5/16", & 3/8" Socket
- 8/32" Hex Wrench

## INSTALLATION INSTRUCTIONS

1. Install **FOAM MOUNTING TAPE** from hardware kit as shown in diagram.
2. Remove **(4) STOCK BOLTS** and **(4) NUTS** from rear L & R sides of vehicle frame. Retain for later use.
3. Install **TUBE CLAMPS** from kit on middle bar on vehicle roll cage. Refer to documentation in box and diagram below for assembly.
4. With at least one person assisting you, lift the **AUDIO ROOF** into place over your Defender and slowly set it onto vehicle.
5. Align pre-attached **STANDOFFS/THREADED BOLTS** on front/underside of **AUDIO ROOF** with stock holes on vehicle frame. Loosely secure with **FLAT WASHERS** and **NUTS** on each side.

(AUDIO ROOF → STANDOFF / THREADED BOLT → VEHICLE CAGE →  
→ FLAT WASHER → NUT)

6. Align middle holes on **AUDIO ROOF** with **TUBE CLAMP** mounting holes from **STEP 3**. Stack **(2) STANDOFFS** on each side between **AUDIO ROOF** and **TUBE CLAMPS**.

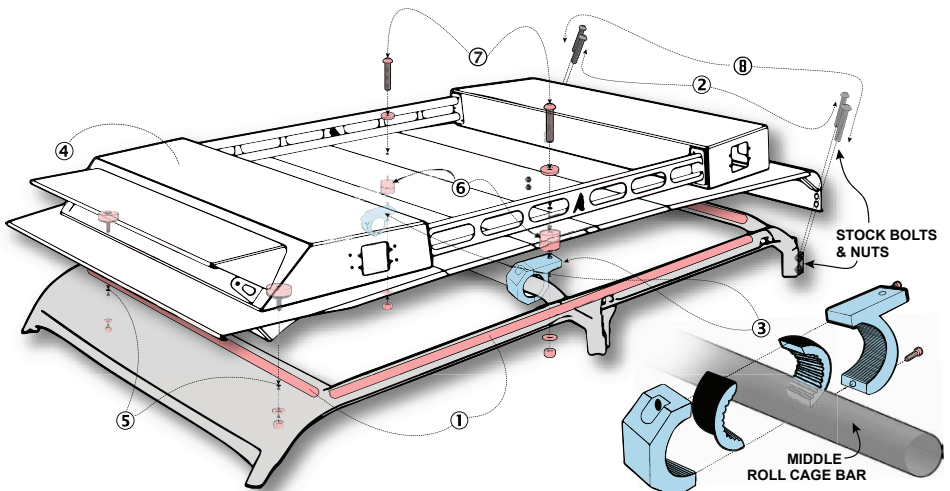
7. Insert **2" BOLTS** with **BONDED WASHERS** through **AUDIO ROOF** and **STANDOFF STACKS**. Loosely secure with **FLAT WASHERS** and **NUTS**.

(2-INCH-BOLT → BONDED WASHER → AUDIO ROOF → STANDOFF →  
STANDOFF → VEHICLE CAGE → FLAT WASHER → NUT)

8. Using retained **STOCK BOLTS / NUTS** from **STEP 2**, secure rear of **AUDIO ROOF** to vehicle frame.

9. You may now **TIGHTEN ALL HARDWARE**.

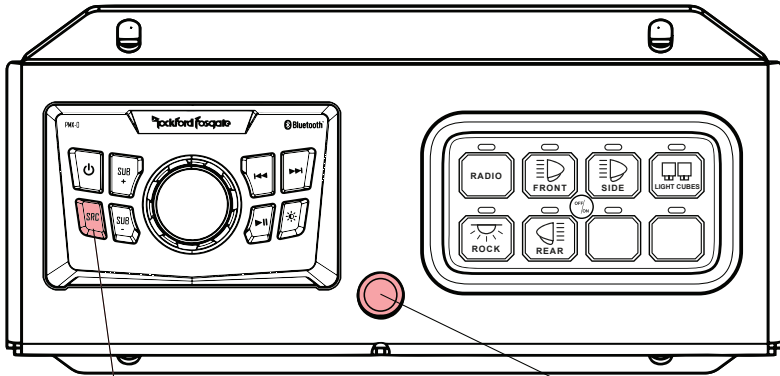
10. Run **POWER CABLE** from **AUDIO ROOF** to (+) and (-) terminals on vehicle battery.



To watch installation video, go to [www.thumperfab.com](http://www.thumperfab.com)

# INSTALLATION INSTRUCTIONS

1. Turn on power to Control Unit (front, center of underside of roof).
2. Install mobile app to connect via Bluetooth® to 8-panel Control Switch using QR code, or visit <http://download.appglobalmarket.com/happylightingdownload.html>
3. To pair your device to the Rockford Fosgate® PMX-0 media receiver, you will need to press "SRC" button on unit until you hear "Bluetooth Mode".



SRC  
BUTTON

FIG. 11

CONTROL UNIT  
POWER SWITCH

4. Turn on lights & music and...

**LET THE  
THUMPIN' BEGIN**

## Thumper Fab

5103 Elysian Fields Rd, Marshall, Tx 75672  
Customer Service: 903-472-0928

To watch installation video, go to [www.thumperfab.com](http://www.thumperfab.com)