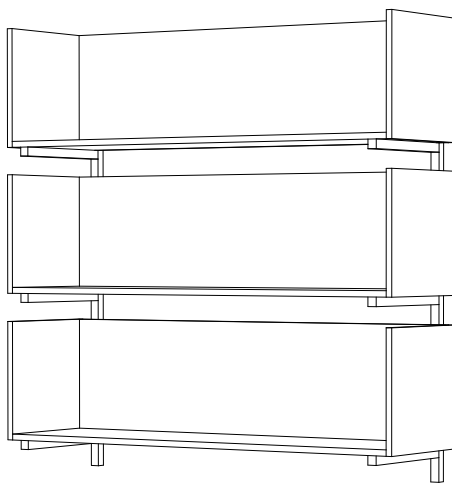


KRISTINA DAM
Studio



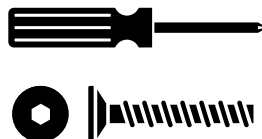
STACK WALL SHELF

Oiled Solid Oak and Walnut
75 L x 21,5 W x 25,5 H cm

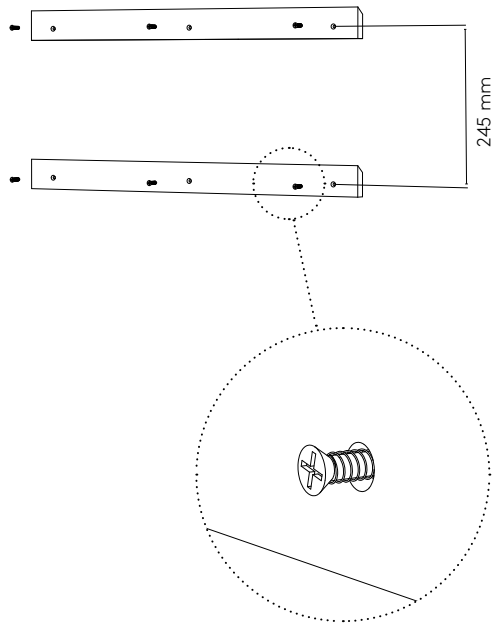
2 x Dowels



Tool + 3 x Screws (not included)



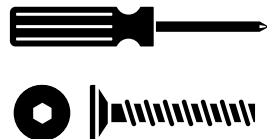
1.



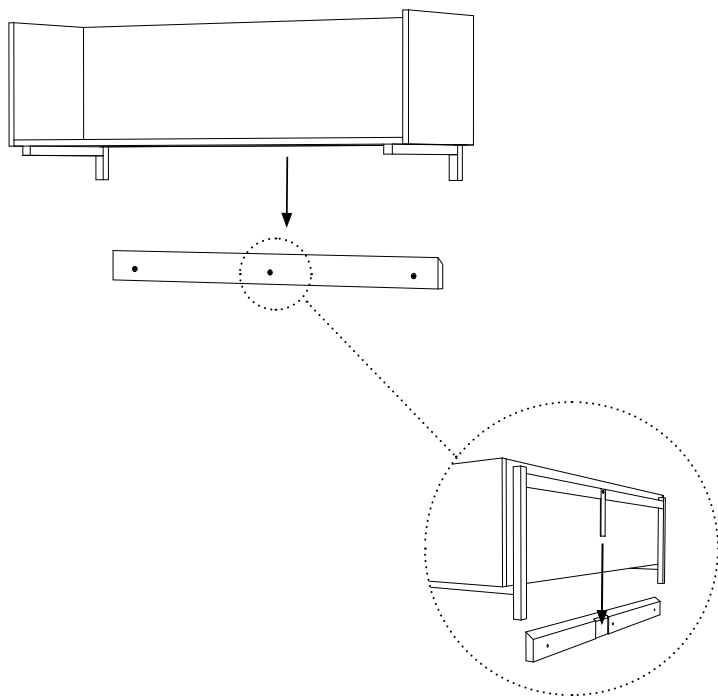
Fix the wooden bracket to the wall with 3 screws. When connecting several shelves, the distance between the screwholes on the wall must be 245 mm.

Screws for the wall are not included since different wall materials require different types of fixing devices. Use fixing devices suitable for the walls in your home. Always consult a professional, if in doubt.

Tool + 3 x Screws (not included)



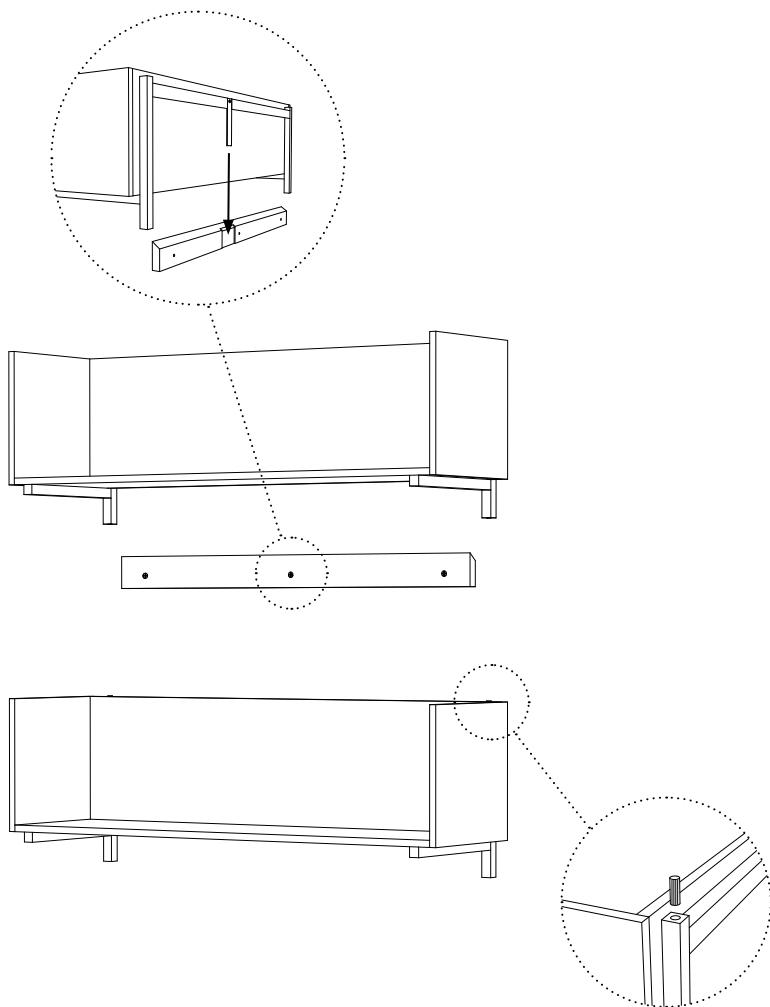
2.



Hang the shelf unit on the wall, by sliding the metal bracket into the small gap between the wooden bracket and the wall. Be carefull not to scratch your wall !



3.



Place the 2 dowels in the holes as shown, before adding a new shelf unit.

Maximum load capacity 5 kg.

