

Please read this manual carefully before installation and keep it for future reference.

User Manual



MRCOOLTM
COMFORT MADE SIMPLE

Olympus Series

Single (Hyper Heat & Energy Star) & Multi-Zone Models

Please keep this manual where the operator can easily find it. Inside you will find helpful hints on how to use and maintain your unit properly.

For more details visit www.MrCool.com

PRECAUTIONS

Warnings	3
Cautions	4

PARTS

Indoor unit	5
Outdoor unit	5
Indication lamp	5

OPERATING INSTRUCTIONS

Special functions	6
Operating temperatures	7
Manual operation	7
Airflow direction control	8
How the air conditioner works	9

CARE & MAINTENANCE

Before maintenance	10
Cleaning the air filter & fresh air filter	10
Replacing the air filter & fresh air filter	11
Preparation for extended non-operation	11
Pre-season inspection	11

TROUBLESHOOTING

Normal function of the air conditioner	12
Troubleshooting guide	14



When using this system in the European Union, please read the following information:

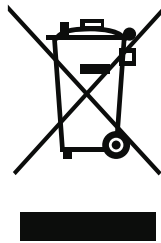
This appliance can be used by children aged from 8 years and above and persons with reduced physical, sensory or mental capabilities, or lack of experience and knowledge if they have been given supervision or instruction concerning use of the appliance in a safe way and understand the hazards involved. Children shall not play with the appliance. Cleaning and user maintenance shall not be made by children without supervision.

DISPOSAL: Do not dispose of this product as unsorted municipal waste. Collection of such waste separately for special treatment is necessary.

It is prohibited to dispose of this appliance in domestic household waste. For disposal, there are several possibilities:





- A) The municipality has established collection systems, where electronic waste can be disposed of at least free of charge to the user.
- B) When buying a new product, the retailer will take back the old product at least free of charge.
- C) The manufacturer will take back the old appliance for disposal at least free of charge to the user.
- D) As old products contain valuable resources, they can be sold to scrap metal dealers.

Wild disposal of waste in forests and landscapes endangers your health when hazardous substances leak into the ground-water and find their way into the food chain.



PRECAUTIONS

To prevent injury to the user or others and property damage, the following instructions must be followed. Incorrect operation due to ignoring of instructions may cause harm or damage. The seriousness is classified by the following indications.

 WARNING	This symbol indicates the possibility of death or serious injury.
 CAUTION	This symbol indicates the possibility of death or serious injury.
	Strictly prohibited.
	Be sure to follow the instructions.

WARNING



- Do not extend the cable and never use multiple plugs. A poor electrical connection, poor insulation or voltage which is higher than permitted can cause fire.
- Do not expose your body directly to the cool air for prolonged period.
- Never insert body parts or other objects in the air inlet and outlet vents.
- Never attempt to repair, relocate, or modify the system yourself. Always contact a qualified service professional if this action is require.
- Never pull the plug out by pulling on the cable. Hold the plug firmly and pull it out of the plug socket, otherwise there is a risk of damaging the cable.
- Do not operate your air conditioner in a wet room such as a bathroom or laundry room.



- Remove all dirt from the power plug and plug it firmly. Dirty plugs can cause fire or an electric shock.
- In the event of any abnormalities such as smell of burning, immediately switch off the device and pull the plug. Contact your service partner.
- Always switch off the device and pull the plug before you start to clean it.
- Use specified power cord.
- Contact the authorized installer for installation of this unit.
- Contact an authorized service technician for repair or maintenance of this unit.
- This appliance is not intended for use by persons(including children) with reduced physical, sensory or mental capabilities, or lack of experience and knowledge, unless they have been given supervision or instruction concerning use of the appliance by a person responsible for their safety.
- Children should be supervised to ensure that they do not play with the air conditioner.



CAUTION

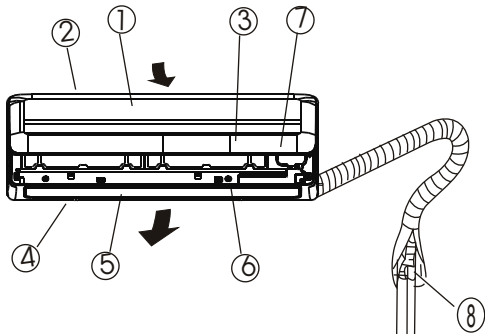


- Never actuate any switches with a wet hand. It may cause an electric shock.
- Never use the device for any other purpose than the intended use.
- Never place food, precision instruments, plants, animals, paint, etc. on the unit.
- Do not expose plants or animals directly to the air flow.
- Never clean the air conditioner with water.
- Never use combustible cleaning agents as these may cause a fire or deformation.
- Never place any burning objects close to the device if they could be directly affected by the emitted air.
- Never step onto the outdoor unit and never place anything on it.
- Never use an unsteady or rusty base.
- Never install the air conditioner in places near combustible gases. Emitted gas may collect and cause an explosion.
- Never allow the air conditioner to run for too long with the doors or windows open, or if the humidity is very high.



- If the air conditioner is to be used in conjunction with other heaters, the air should be refreshed periodically, otherwise there is a risk of lack of oxygen.
- Always pull out the power plug if the unit is not going to be used for any lengthy period of time.
- Excessive dust may cause fire.
- Always switch off the air conditioner and pull out the power plug during a storm. Electrical parts may get damaged.
- Check that the drainage line is correctly connected. If not, water will escape.
- Check that the condensation water can run off unhindered. It may cause water damage if the condensation water cannot run off properly.
- The air conditioner must be grounded in accordance with the local codes.
- For electrical safety purposes we recommend that you install an earthleakage circuit-breaker.
- If the power cord is damaged, it must be replaced by the manufacturer, its service agent or similar qualified persons.

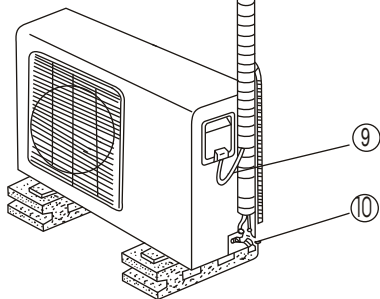
Indoor unit



Indoor unit

- 1) Front panel
- 2) Air inlet
- 3) Air filter
- 4) Air outlet
- 5) Horizontal air flow grille
- 6) Vertical air flow louver(inside)
- 7) Display panel

Outdoor unit



Outdoor unit

- 8) Connecting pipe
- 9) Connecting cable
- 10) Stop valve

NOTE:

All the pictures in this manual are for explanation purposes only. The actual shape of the indoor unit you purchased may be slight different on front panel and display window. The actual shape may vary.

Indication lamps

FRESH indication lamp (optional function)

- This lamp illuminates when the "Clean Air" feature is activated.

AUTO indication lamp

- Lights up under auto operation.

DEFROST indication lamp

- Lights up when the air conditioner starts defrosting automatically or when the warm air control feature is activated in heating operation.

RUN indication

- This lamp illuminates when the air conditioner is in operation.

TIMER indication lamp

- Lights up during Timer operation.



TEMPERATURE indication lamp

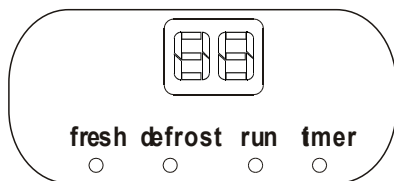
- Displays the temperature settings when the air conditioner is operational.
- Displays the malfunction code.

Indication lamp

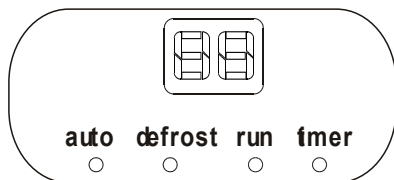
NOTE: The display on the indoor unit you purchased may look like one of the following:



(A)



(B)



(C)

Special functions will be displayed in the following ways (for some models only):

- Displays **"ON"** for three seconds when Timer ON, Fresh, Swing, Turbo or Silence feature is activated.
- Displays **"OF"** for three seconds when Timer OFF is set.
- Displays **"OF"** for three seconds when Fresh, Swing, Turbo or Silence feature is cancelled.
- Displays **"dF"** under defrosting operation.
- Displays **"cF"** when anti-cold air feature is activated under heating mode.
- Displays **"SC"** during self clean operation (if applicable).
- Displays **"FP"** under 8°C heating operation (if applicable).

Special functions

Refrigerant Leakage Detection (optional):

With this new technology, the display area will appear **"EC"** and the indication lamps continue flashing when the outdoor unit detects a refrigerant leak.

Louver Angle Memory Function (optional):

Within the scope of safety, it will memorize the open angle of horizontal louver. If it exceeds, it will memorize the boundry of the safety angle. In the following circumstances, it will return to standard angle:

- 1) Pressing the manual operation switch.
- 2) Unplugging and then re-plugging the power source.

So we strongly suggest that the open angle of the horizontal louver should not be set too small, in case the condensed water forms and drips from the horizontal louver.

Self-Clean (optional)

- Function used after the Shut Down of cooling operation to clean the Evaporator and keep it as fresh for the next operation.
- The unit will operate as following sequence: FAN ONLY mode at Low fan speed--Heating operation with LOW fan speed---FAN ONLY operation--Stop Operation---Turn off.

Note:

- This function is only available under COOL(AUTO COOL, FORCED COOL) and DRY mode.*
- Before select the function, it is recommended to run the air conditioner under Cooling operation for about half an hour. Once the Self Clean function is activated, all TIMER setting will be cancelled.*
- During Self Clean operation, when press the SELF CLEAN button on the remote control again will stop the operation and turn off the unit automatically.*

Clean Air (optional)

This air conditioner is equipped with ionizer or Plasma Dust Collector (depending on the configuration of the model). With the anions generated by Ionizer, the air circulation of the air conditioner fills the room with refreshing, natural and healthy air. The Plasma Dust Collector generates a high voltage ionization zone, through which the air is converted to plasma. Inside the air most of the dust, smoke, and pollen particles are captured by the electrostatic filter.

Vertical Swing (optional)

After the air conditioner starts up, users can control the vertical louver swing by the remote control.

NOTE: This manual does not include Remote Control Operations, see the Remote Control Instruction packed with the unit for details.

Operating temperature

Mode	Cooling operation	Heating operation	Drying operation
Roomtemperature	62°F~90°F (17°C~32°C)	32°F~86°F (0°C~30°C)	50°F~90°F (10°C~32°C)
Outdoor temperature	32°F~122°F (0°C~50°C)	5°F~86°F (-15°C~30°C)	32°F~122°F (0°C~50°C)
	5°F~122°F / -15°C~50°C (For model with low temperature cooling systems)		

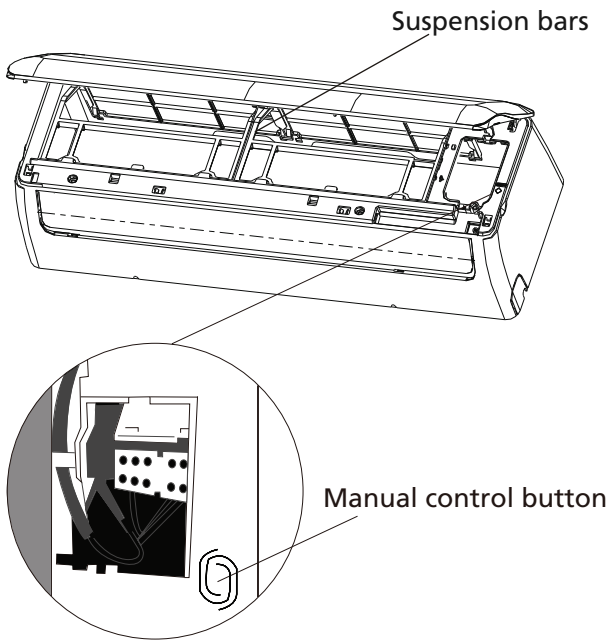
NOTE:

- 1) Optimum performance will be achieved within these operating temperatures. If air conditioner is used outside of the above conditions, certain safety protection features might come into operation and cause the unit to function abnormally.
- 2) If the air conditioner runs for a long time in cooling mode and the humidity is high (over 80%), condensed water may drip out of the unit. Please sets the vertical air flow louver to its maximum angle (vertically to the floor), and set HIGH fan mode.

Suggestion: For the units with an Electric Heater, when the outside ambient temperature is below 32°F (0°C), we strongly recommend you to keep the machine plugged in order to guarantee it running smoothly.

Manual operation

Units are equipped with a switch to run in manual emergency operation mode. It can be accessed by opening the front panel. This switch is used for manual operation in case the remote control fails to work or is maintenance necessary.



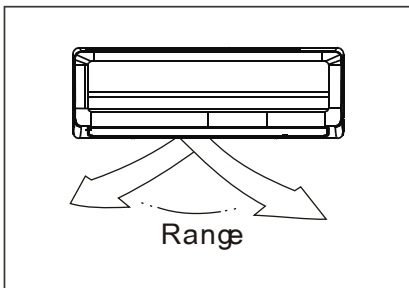
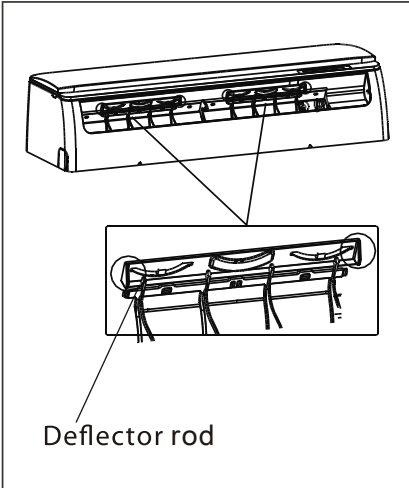
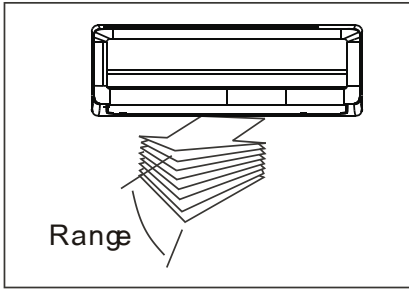
NOTE: The unit must be turned off before operating the manual control button. If the unit is operational, continue pressing the manual control button until the unit is off.

- 1) Open and lift the front panel up to an angle until it remains fixed with a clicking sound. For some models, please use suspension bars to prop up the panel.
- 2) One press of the manual control switch will lead to the forced AUTO operation. If press the switch twice within five seconds, the unit will operate under forced COOL operation.
- 3) Close the panel firmly to its original position.

CAUTION:

- This switch is used for testing purposes only.
- To restore the remote control operation, use the remote control directly.

Airflow direction control



Adjust the air flow direction properly, or it may cause uneven room temperatures.
Adjust the horizontal/vertical louver using the remote control. For some models, the vertical louver can only be adjusted manually.

To set the horizontal/vertical air flow direction:

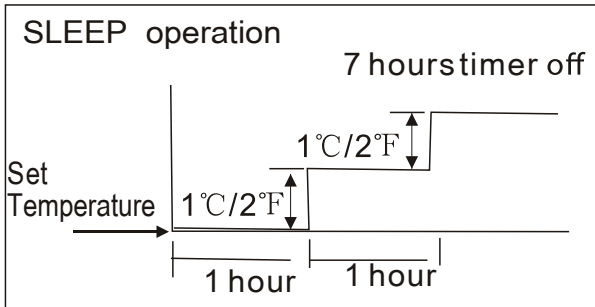
- Perform this function while the unit is in operation.
- Use the remote control to adjust the air flow direction. The vertical/horizontal louver changes 6 degree in angle for each press, or swing up and down automatically. Please refer to the REMOTE CONTROL OPERATION MANUAL for details.
- For some models, the vertical louver can only be adjusted manually. Move the deflector rod manually to adjust the air flow in the direction you prefer.

IMPORTANT: Do not put your fingers into the panel of blower and suction side. The high-speed fan inside may cause danger.

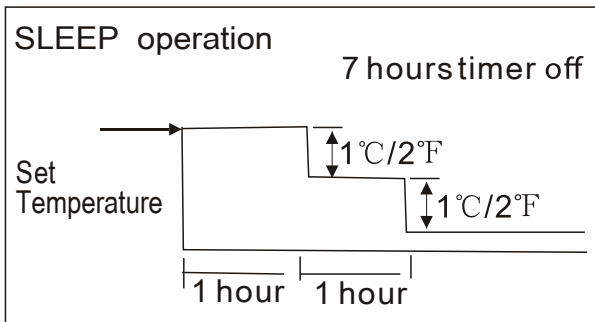
CAUTION

- Do not operate the unit for long periods with the air flow direction set downward in cooling or dehumidifying mode. Otherwise, condensation may occur on the surface of the horizontal louver causing moisture to drop on to the floor or on furnishings.
- When the unit is started immediately after it was stopped, the horizontal louver might not move for approximately 10 seconds.
- Open angle of the horizontal louver should not be set too small, as COOLING or HEATING performance may be impaired due to too restricted air flow area.
- Do not move the horizontal louver manually, otherwise the horizontal louver will be out of sync. Please cease operating, unplug power for a few seconds, then restart the air conditioner.
- Do not operate unit with horizontal louver in closed position.

How the air conditioner works



Cooling



Heating

AUTO operation

- When you set the unit in AUTO mode, it will automatically select cooling, heating, or fan only operation depending on set temperature and the room temperature.
- The unit will control room temperature automatically to the temperature point you set.
- If you feel uncomfortable in the AUTO mode, you can set your desired temperature.

SLEEP operation

When you push SLEEP button on remote control during cooling, heating, or AUTO operation, the air conditioner will automatically increase (cooling) or decrease (heating) 2°F/1°C per hour for the first 2 hours, then hold steadily for the next 5 hours, after that it will switch off. This mode saves you energy and brings you comfort at night.

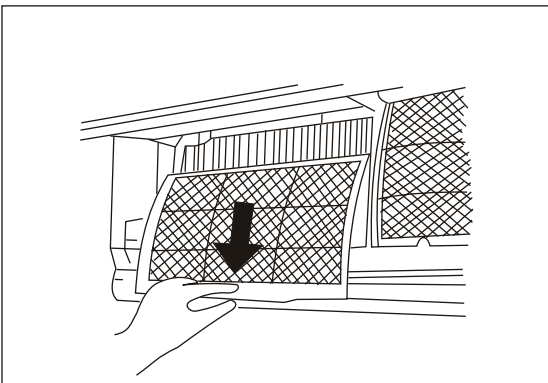
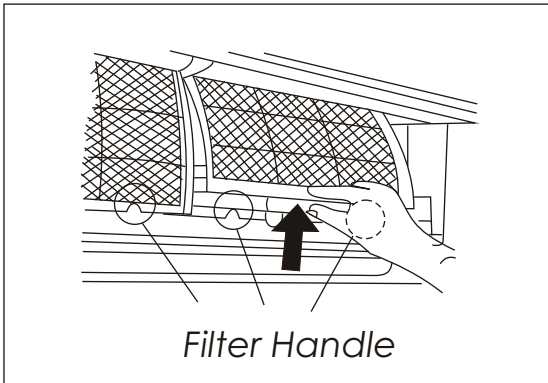
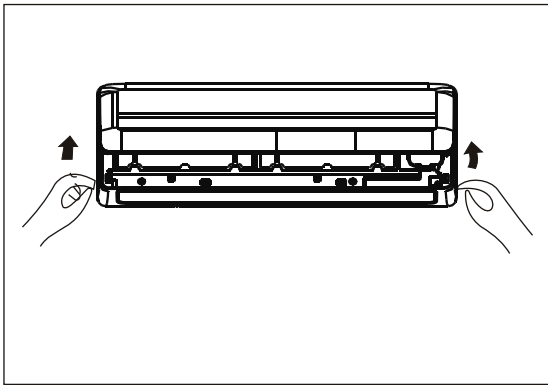
DRYING operation

- The fan speed will be automatically controlled under dry operation.
- During the dry operation, if the room temperature is lower than 50°F(10°C), the compressor stops operation and restarts until the room temperature is above 54°F(12°C).

Optimal operation

To achieve optimal performance, please note the following:

- Adjust the air flow direction correctly so that it is not towards people.
- Adjust the temperature to achieve the highest comfort level. Do not adjust the unit to excessive temperature levels.
- Close doors and windows on COOL or HEAT modes, or performance may be reduced.
- Use TIMER ON button on the remote control to select a time you want to start your unit.
- Do not put any object near air inlet or air outlet, as the efficiency of the system may be reduced and the unit may stop running.
- Clean the air filter periodically, otherwise cooling or heating performance may be reduced. Do not operate unit with horizontal louvre in closed position.



Before maintenance

Turn the system off before cleaning. To clean, wipe with a soft, dry cloth. Do not use bleach or abrasives.

NOTE: Power supply must be disconnected before cleaning the indoor unit.

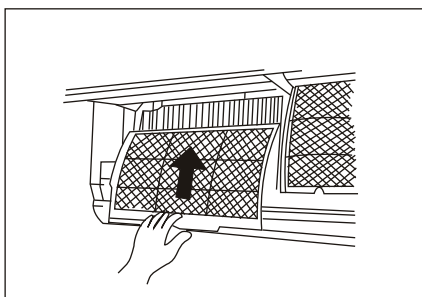
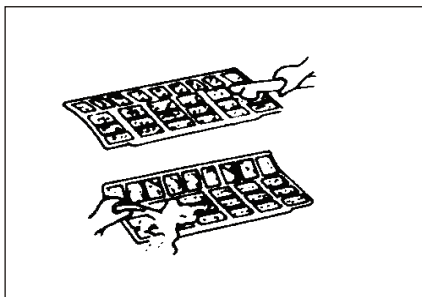
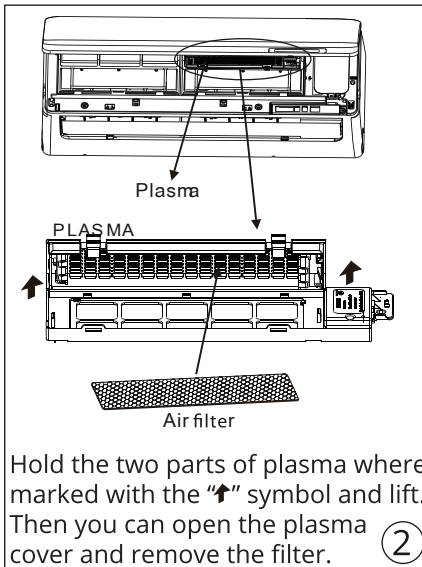
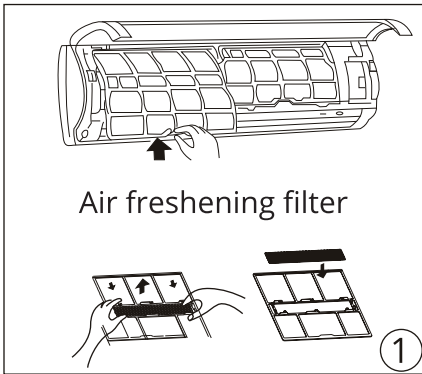
CAUTION

- A cloth dampened with cold water may be used on the indoor unit if it is very dirty. Then wipe it with a dry cloth.
- Do not use a chemically treated cloth or duster to clean the unit.
- Do not use benzine, thinner, polishing powder, or similar solvents for cleaning. These may cause the plastic surface to crack or deform.
- Never use water hotter than 104°F(40°C) to clean the front panel, it could cause deformation or discoloration.

Cleaning the air filter and air freshening filter

A clogged air filter reduces the cooling efficiency of this unit. Please clean the filter once every 2 weeks.

1. Lift the indoor unit panel up to an angle until it stops with a clicking sound. For some models, please use suspension bars to prop up the panel.
2. Take hold of the handle of the air filter and lift it up slightly to take it out from the filter holder, then pull it downwards.
3. Remove the AIR FILTER from the indoor unit. Clean the AIR FILTER once two weeks. Clean the AIR FILTER with a vacuum cleaner or water, then dry it up in cool place.



4. Remove the Air Freshening Filters from its supporting frame (The solution to disassemble may vary for different filters. Refer to ① and ②). Clean the air freshening filter at least once a month, and replace it every 4-5 months. Clean it with vacuum cleaner, then dry it in cool place.
- ⚠ For the models with plasma, do not touch the plasma for 10 minutes after you open the panel.
5. Install the air freshening filter back into position.
6. Insert the upper portion of air filter back into the unit, taking care that the left and right edges line up correctly and place filter into position.

Replacement of air filter and air freshening filter

- 1) Remove the air filter.
- 2) Remove the air freshening filter.
- 3) Install a new air freshening filter.
- 4) Reinstall the air filter and securely close the front panel.

Preparation for extended non-operation

If you plan to idle the unit for a long time, perform the following:

- 1) Clean the indoor unit and filters.
- 2) Operate the fan for about half a day to dry the inside of the unit.
- 3) Turn off the unit and disconnect the power.
- 4) Remove the batteries from the remote control.

NOTE: The outdoor unit requires periodic maintenance and cleaning. Do not attempt to do this yourself. Contact your dealer or service provider.

Pre-season inspection

- Check that the wiring is not broken off or disconnected.
- Clean the indoor unit and filters.
- Check that the air filter is installed.
- Check if the air outlet or inlet is blocked after the unit has not been used for a long time.

⚠ CAUTION

- Do not touch the metal parts of the unit when removing the filter. Injuries can occur when handling sharp metal edges.
- Do not use water to clean the inside of the unit. Exposure to water can destroy the insulation, leading to possible electric shock.
- When cleaning the unit, first make sure that the power and circuit breaker are turned off.
- Do not wash air filter with hot water at more than 104°F/40°C . Shake off moisture completely and dry it in the shade. Do not expose it directly to the sun, it may shrink.

Normal function of the air conditioner

The following events may occur during normal operation.

1) Protection of the air conditioner

Compressor protection

- The compressor can't restart for 3-4 minutes after it stops.

Anti-cold air

- The unit is designed not to blow cold air on HEAT mode, when the indoor heat exchanger is in one of the following three situations and the set temperature has not been reached.
 - A) When heating has just started.
 - B) Defrosting.
 - C) Low temperature heating.
- The indoor or outdoor fan stop running when defrosting

Defrosting

- Frost may be generated on the outdoor unit during heat cycle when outdoor temperature is low and humidity is high resulting in lower heating efficiency.
- During this condition the unit will stop heating operation and start defrosting automatically.
- The time to defrost may vary from 4 to 10 minutes according to the outdoor temperature and the amount of frost built up on the outdoor unit.

2) A white mist coming out from the indoor unit

- A white mist may generate due to a large temperature difference between air inlet and air outlet on COOL mode in an indoor environment that has a high relative humidity.
- A white mist may generate due to moisture generated from defrosting process when the unit restarts in HEAT mode operation after defrosting.

3) Low noise from the units

- You may hear a low hissing sound when the compressor is running or has just stopped running. It is the sound of the refrigerant flowing or coming to a stop.
- You can also hear a low "squeak" sound when the compressor is running or has just stopped running. This is caused by heat expansion and cold contraction of the plastic parts in the unit when the temperature is changing.
- A noise may be heard due to louver restoring to its original position when power is turned on.

4) Dust is blown out of the indoor unit

This is a normal condition when the air conditioner has not been used for a long time or during first use of the unit.

5) A peculiar smell comes out from the indoor unit

This is caused by the indoor unit giving off smells permeated from building material, from furniture, or smoke.

6) The air conditioner turns to FAN only mode from COOL or HEAT mode

When indoor temperature reaches the temperature setting on air conditioner, the compressor will stop automatically, and the unit turns to FAN only mode. The compressor will start again when the indoor temperature rises on COOL mode or falls on HEAT mode to the set point.

7) The unit runs the Anti-mildew function after turning off.

When turning off the unit under COOL(AUTO COOL, FORCED COOL) and DRY mode, the unit will run anti-mildew function for 7-10 minutes, if turns off on HEAT mode, the unit will continue operating for about 30 seconds at LOW fan speed, then stop the operation and turn off the unit automatically. Under Anti-mildew operation, do not restart the system, until the unit is completely off.

8) Dripping water may generate on the surface of the indoor unit when cooling in a high relatively humidity (relative humidity higher than 80%). Adjust the horizontal louver to the maximum air outlet position and select HIGH fan speed.

9) Heating mode

The indoor unit draws in heat from the outdoor unit and releases it via the indoor unit during heating operation. When the outdoor temperature falls, heat drawn in by the indoor unit decreases accordingly. At the same time, heat loading of the system increases due to larger difference between indoor and outdoor temperature. If a comfortable temperature can't be achieved by the system, we suggest you use a supplementary heating device.

10) Auto-restart function

- Power failure during operation will stop the unit completely.
- For the unit without Auto-restart feature, when the power restores, the OPERATION indicator on the indoor unit starts flashing. To restart the operation, push the ON/OFF button on the remote control. For the unit with Auto-restart feature, when the power restores, the unit restarts automatically with all the previous settings preserved by the memory function.

11) Cleaning filter reminding function (optional)

After 240 hours of operation, the indoor display window will display and flash "**CL**", this feature is a reminder to clean the Air Filter for more efficient operation. After 15 seconds, the system will revert back to the previous display again. When the "**CL**" indicator appears and flashes, please press the LED button on remote control for 4 times or press the Manual control button for 3 or more times to clear the registered hours, otherwise the "**CL**" indicator will display and flash again for another 15 seconds at the next time of starting the unit.

12) Replacing filter reminding function (optional)

After 2880 hours of operation, the indoor display window will display and flash "**nF**", this feature is a reminder to replace the Air Filter for more efficient operation. After 15 seconds, the system will revert back to the previous display again. When the "**nF**" indicator appears and flashes, please press the LED button on remote control for 4 times or press the Manual control button for 3 or more times to clear the registered hours, otherwise the "**nF**" indicator will display and flash again for another 15 seconds at the next time of starting the unit.

Troubleshooting guide

Trouble	OPERATION(RUN) indicator or other indicators continue flashing.	The unit may stop operation or continue to run in a safety condition (depending on models). Waiting for about 10 minutes, the fault may be recovered automatically, if not, disconnect the power and then connect it in again. If the problem still exists, disconnect the power and contact the nearest customer service center.
	If one of the following code appears on the display area : E0,E1,E2,E3.....or P0,P1,P2, P3....., or F1,F2,F3.....	
	Fuse blows frequently or circuit breaker trips frequently .	Stop the air conditioner immediately, disconnect the power and contact the nearest customer service center.
	Other objects or water fall into the air conditioner.	
Terrible odors are smelled or abnormal sounds are heard.		

Malfunctions	Cause	What should be done?
Unit does not start	Power cut	Wait for power to be restored.
	Unit may have become unplugged.	Check that plug is securely in wall receptacle.
	Fuse may have blown.	Replace the fuse.
	Battery in Remote control may have been exhausted.	Replace the battery.
	The time you have set with timer is incorrect.	Wait or cancel timer setting.
Unit not cooling or heating room very well while is air flowing out from the air conditioner	Inappropriate temperature setting.	Set temperature correctly. For detailed method please refer to "Using remote control" section.
	Air filter is blocked.	Clean the air filter.
	Doors or Windows are open.	Close the doors or windows.
	Air inlet or outlet of indoor or outdoor unit has been blocked.	Clear obstructions away first, then restart the unit.
	Compressor 3 minutes protection has been activated.	Wait.

If the trouble has not been corrected, please contact a local dealer or the nearest customer service center. Be sure to inform them of the detailed malfunctions and unit model number.

Note: Do not attempt to repair the unit yourself. Always consult an authorized service provider.



Olympus Series

Single (Hyper Heat & Energy Star) & Multi-Zone Models

The design and specifications are subject to change without prior notice.
Consult with the sales agency or manufacturer for details.