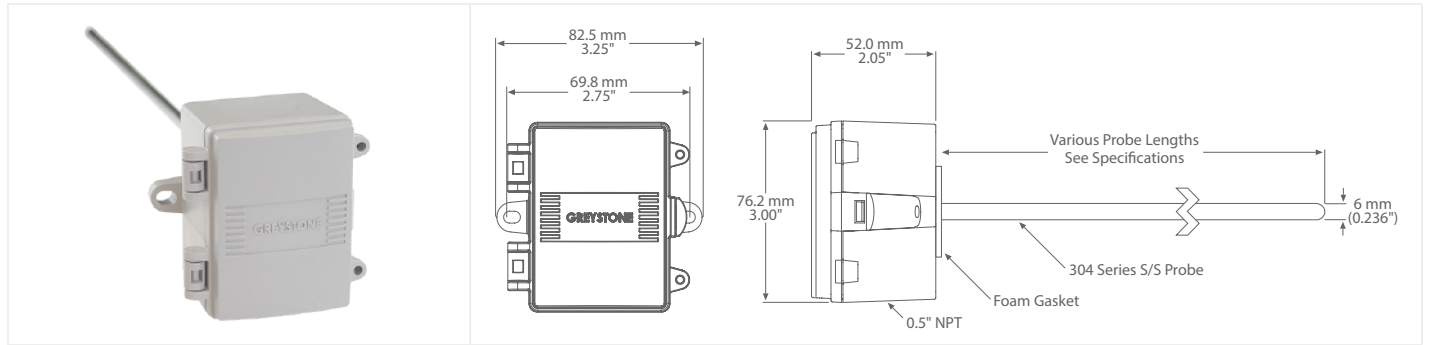




## ALL PURPOSE DUCT/IMMERSION TEMPERATURE TRANSMITTER



### TXAP SERIES

### PRODUCT DESCRIPTION

The all purpose single point temperature transmitter utilizes a precision sensor encapsulated in a 6 mm (0.236") OD, 304 series stainless steel probe and is available in various lengths. A transmitter that provides a high accuracy signal with excellent long term stability, low hysteresis and fast response is available with various ranges provided.

### TYPICAL INSTALLATION

**For complete installation and wiring details, please refer to the product installation instructions.**

In duct applications the probes are installed in the side of the duct to monitor a single point temperature within the duct. Select a probe length that allows the probe to span the duct width. Install the probe in a straight section of duct at a suitable distance downstream from any heating, cooling, or humidification devices. The enclosure provides mounting tabs for ease of installation.

For immersion applications ensure the probe is installed in the appropriate length thermowell for the pipe size. Thermal conductive compound should be added inside the thermowell to provide optimum thermal transfer.

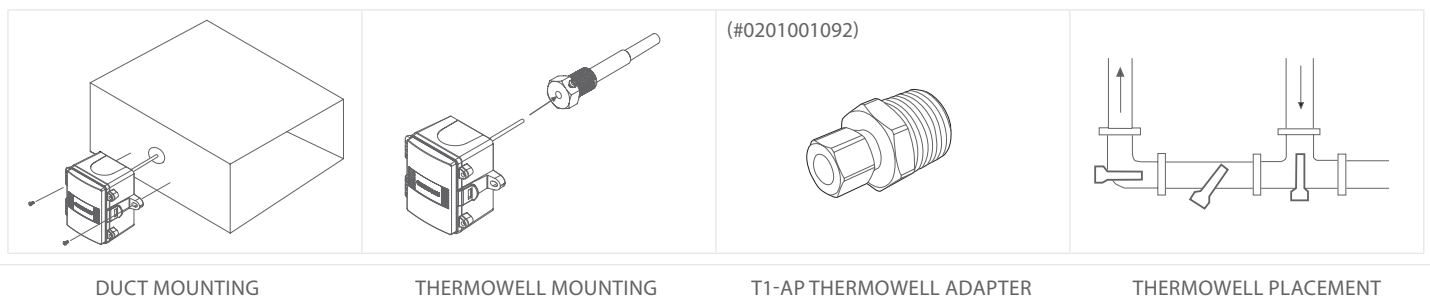
For immersion applications, a T2 Series thermowell is required. When using with a T1 series thermowell an adapter will be required (#0201001092).

### SPECIFICATIONS

SENSOR TYPE	1000 Ω platinum RTD
SENSOR ACCURACY	±0.3°C (±0.54°F) @ 0°C (32°F)
PROBE SENSING RANGE	-40 to 100°C (-40 to 212°F)
WIRE MATERIAL	PVC insulated, parallel bonded, 22 AWG
PROBE MATERIAL	304 series stainless steel
PROBE DIAMETER	6 mm (0.236")
STANDARD LENGTHS	50, 100, 150, 200, 300, and 450 mm (2", 4", 6", 8", 12", and 18")
OUTPUT SIGNAL	4-20 mA current loop, 0-5 Vdc, or 0-10 Vdc (factory configured)
TRANSMITTER ACCURACY	±0.1% of span, including linearity
OUTPUT DRIVE @ 24 VDC	<b>Current:</b> 600 Ω maximum <b>Voltage:</b> 10 KΩ minimum
INTERNAL ADJUSTMENT	ZERO and SPAN Pots
POWER SUPPLY	<b>0-5 Vdc:</b> 10-35 Vdc or 10-28 Vac <b>0-10 Vdc:</b> 15-35 Vdc or 15-28 Vac <b>4-20 mA:</b> 15-35 Vdc (loop-powered) or 22-28 Vac
CURRENT CONSUMPTION	<b>Current:</b> 20 mA <b>Voltage:</b> 5 mA
MAXIMUM CURRENT (VOLTAGE)	5 mA nominal
MAXIMUM OUTPUT (VOLTAGE)	Limited to <5.5 Vdc or 0-5 Vdc, <10.5 for 0-10 Vdc
INPUT VOLTAGE EFFECT	Negligible over specified operating range
PROTECTION CIRCUITRY	Reverse voltage protected and output limited
AMBIENT OPERATING RANGE	-40 to 50°C (-40 to 122°F), 5 to 95 %RH non-condensing
ENCLOSURE	<b>A:</b> ABS, UL94-V0, IP65 (NEMA 4X) <b>E:</b> Same as A, with thread adapter (1/2" NPT to M16), and cable gland fitting
TERMINATION	Screw terminal block (14 to 22 AWG)
APPROVALS	CE
COUNTRY OF ORIGIN	Canada

NOTE: This product is factory calibrated and any field adjustment will void the warranty.

### MOUNTING STYLES



DUCT MOUNTING

THERMOWELL MOUNTING

T1-AP THERMOWELL ADAPTER


THERMOWELL PLACEMENT



## ACCESSORIES - INCLUDED WITH E ENCLOSURE OPTION

		
CABLE GLAND FITTING	THREAD ADAPTER 1/2" NPT TO M16	

## WIRING INFORMATION

	<table border="0"> <tr> <th style="text-align: left;">TERMINAL</th> <th style="text-align: left;">FUNCTION</th> </tr> <tr> <td>PWR</td> <td>Power Supply</td> </tr> <tr> <td>OUT</td> <td>Analog Output</td> </tr> <tr> <td>COM</td> <td>Common</td> </tr> <tr> <td colspan="2"> </td> </tr> <tr> <td>NEG</td> <td rowspan="3">Temperature Sensor Input</td> </tr> <tr> <td>SEN</td> </tr> <tr> <td>EXC</td> </tr> </table>	TERMINAL	FUNCTION	PWR	Power Supply	OUT	Analog Output	COM	Common			NEG	Temperature Sensor Input	SEN	EXC
TERMINAL	FUNCTION														
PWR	Power Supply														
OUT	Analog Output														
COM	Common														
NEG	Temperature Sensor Input														
SEN															
EXC															

## ORDERING

PRODUCT	<b>TXAP</b>	All Purpose Duct/Immersion Temperature Transmitter
ENCLOSURE	<b>A</b> <b>E</b>	ABS, with hinged and gasketed cover Same as A, with thread adapter and cable gland fitting
SENSOR	<b>12</b>	1000 Ω Platinum, IEC 751, 385 Alpha, thin film
PROBE LENGTH	<b>A</b> <b>B</b> <b>C</b> <b>D</b> <b>E</b> <b>F</b>	50mm (2") 100mm (4") 150mm (6") 200mm (8") 300mm (12") 450mm (18")
OUTPUT	<b>A</b> <b>D</b> <b>E</b>	4-20 mA 0-5 Vdc 0-10 Vdc
SCALED RANGE	<b>001</b> <b>002</b> <b>003</b> <b>006</b> <b>*</b>	0 to 35°C (32 to 95°F) 0 to 50°C (32 to 122°F) 0 to 100°C (32 to 212°F) -50 to 50°C (-58 to 122°F) Additional ranges available

## PART NUMBER

<b>TXAP</b>

NOTE: Greystone Energy Systems, Inc. reserves the right to make design modifications without prior notice.