

# PL Series Bulb type D45mm Mini Tower Light



Steady light only.  
Great pricing on a very popular light tower!



- Ø45mm lens diameter
- Prism-cut lenses for even light distribution
- The PL Series is 45mm with a steady light
- One to five stack lights
- Various operating voltage
- Five lens colors available
- Protection Class : IP20

## Specifications

Operation/Function	Steady Light
Power Supply	AC/DC 12V, AC/DC 24V, 110V AC, 220V AC
Tiers	May be ordered as 1, 2, 3, 4 or 5 tiers
Lens Color	Red, Yellow, Green, Blue, Clear
Ambient Temperature	-5°C ~ 40°C
Storage Temperature	-25°C ~ 70°C
Ambient Humidity	45~85% RH
Degree of Protection	IP20
Approvals	RoHS
Recommended Wire Size	AC 110/220V: VSF / 0.75mm <sup>2</sup> (Power supply wire only) AC/DC 12/24V: 1007 UL / 22AWG

## Ordering Information

**PL P - 3 2 0 - R Y G**

①      ②      ③      ④

### 1. Mounting

<b>P</b>	D18mm Aluminum pole + Plastic mount base
<b>G</b>	Plastic mount base
<b>M</b>	M18 Screw Aluminum pole with 2 Nut + L-angle bracket (Steel)

### 2. Number of Stacks

<b>1</b>	1 Light	<b>2</b>	2 Lights	<b>3</b>	3 Lights
<b>4</b>	3 Lights	<b>5</b>	5 Lights		

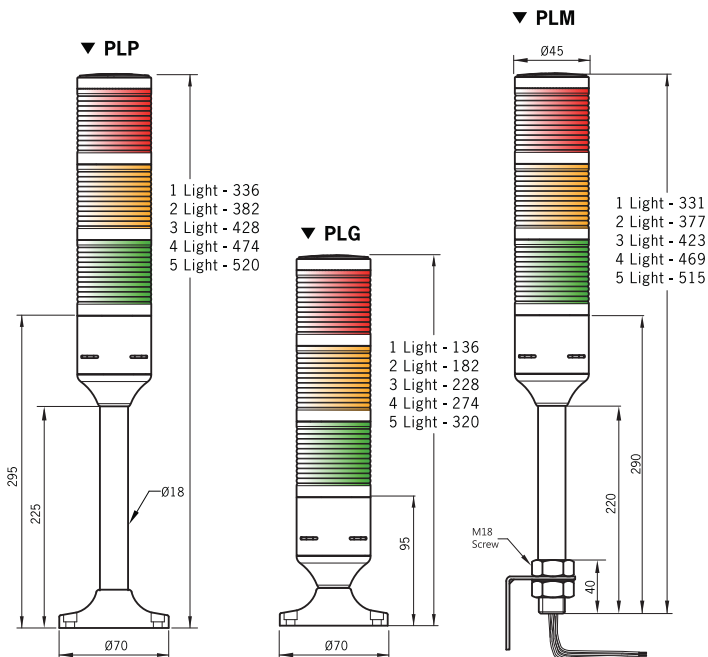
### 3. Power Supply

<b>01</b>	12V AC/DC	<b>10</b>	110V AC
<b>02</b>	24V AC/DC	<b>20</b>	220V AC

### 4. Lens Colors (Top to bottom)

<b>R</b>	Red	<b>B</b>	Blue
<b>Y</b>	Yellow	<b>C</b>	Clear
<b>G</b>	Green		

## Dimensions (unit: mm)



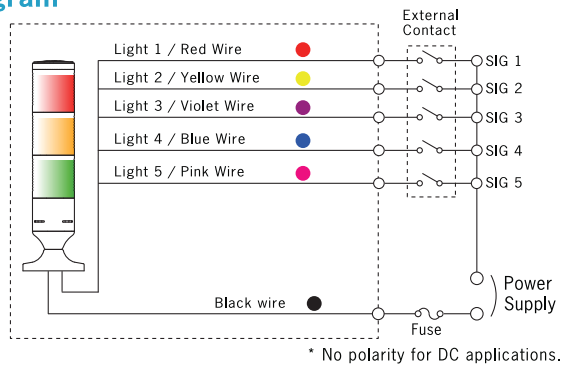
## Current Draw

Power Supply	12V	24V	110V AC	220V AC
1 Light	0.4A	0.2A	0.04A	0.02A
2 Lights	0.8A	0.4A	0.08A	0.04A
3 Lights	1.2A	0.6A	0.12A	0.06A
4 Lights	1.6A	0.8A	0.16A	0.08A
5 Lights	2.0A	1.0A	0.20A	0.10A

## Replacement Parts ▶ See page 39 for Replacement Bulbs product

Rated Voltage	Bulb	Rated Voltage	Bulb
12V AC/DC	12V 5W	110V AC	130V 5W
24V AC/DC	24V 5W	220V AC	240V 5W

## Wiring Diagram

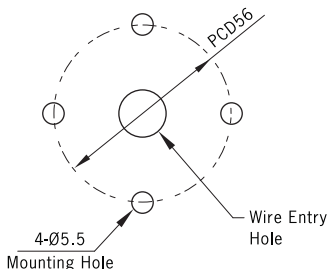


## Bulb Replacement Method

Note: See page 21

### ▼ Plastic Mount Base Mounting hole

### ▼ L-angle bracket



**MAM-DS25**  
Steel

