



SOLENOID VALVE IMV / IMVD



- OIL AND GAS BURNERS**
- LIQUID METERING SYSTEMS**
- COMPRESSED AIR SYSTEMS**
- IRRIGATION SYSTEMS**

DESCRIPTION : Indfos Solenoid valves are normally closed type Electro-magnetic shut off valves, which on receiving an Electric impulse, open to allow flow in the pipe-lines.

APPLICATION : Type IMV, IMVD valves are designed for oil, water, town gas, methane, butane, and propane. They can be used in connection with oil and gas burners, compressed air systems, low pressure hydraulic systems, liquid and irrigation systems. However, these valves are not suitable for refrigeration and air-conditioning applications.

Type IMVD-10 (WA) valve is available with water hammer suppressing design to avoid water hammer effect in water lines when the line is closed abruptly.

TECHNICAL DETAILS : These valves are available with coils of different AC & DC voltages (as shown in table). The permissible deviations from rated coil voltage are:

Wattage : For AC Coil : 8W
For DC Coil : 12W



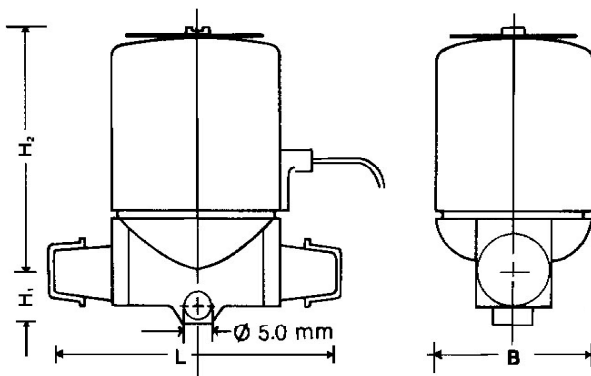
TECHNICAL DATA

Type	Code No.	Process Connection	Orifice (mm)	Opening and Operating Differential Pressure PSI (ATM)			Permissible Temperature Limits of Media (°C)	Maximum Permissible Ambient Temperature for Coil (°C)	Kv Factor	Test Pressure PSI (ATM)	Coil Voltage Available
				Max. Liquid	Gas & Air	Min.					
IMV-3	32K4733	1/4" BSP	2.5	240 (17)	240 (17)	---	-10 to 90	40	0.18	710 (50)	220V AC * 110V AC * 110V DC 72V DC ± 10%
IMVD-6	32K4933	3/8" BSP	6	200 (14)	240 (17)	0.7 (0.05)	-10 to 90	40	1.0	710 (50)	
IMVD-10	32K4973	1/2" BSP	10	200 (14)	240 (17)	0.7 (0.05)	-10 to 90	40	1.5	710 (50)	
IMVD-10 (WA)	32K4983W	1/2" BSP	10	200 (14)	240 (17)	0.7 (0.05)	-10 to 90	40	1.26	710 (50)	

Kv Factor : Water flow in M³/Hr at a pressure drop of 1Kg/Cm² across the valve

* : Frequency 50Hz (STD). Frequency 60Hz available on request

MOUNTING DIMENSIONS



TYPES IMV-3 AND IMVD 6-10

TYPE DIMEN	IMV-3	IMVD-6	IMVD-10
H1	13	15	14
H2	67	72	76
L	81	87	93
B	52	52	52
WT. Gms.	670	865	900

All dimensions are in mm

This is not a contractual document. Prior notification of changes in specifications is impracticable due to continuous improvement



Indfos Industries Limited

Regd. Off : 2749, Street No.13, Ranjith Nagar, New Delhi 110 008

web-site : www.indfos.com

WORKS

- B20, Industrial Area, Site 3, Meerut Road, Ghaziabad (UP) 201 003
Ph : 0120-2712016 / 2712134 Fax : 0120-2712023 E-mail : sales@indfos.com
- 86, Thirupoor Kumaran Street, Athipet, Ambattur, Chennai 600 058

SALES	E-MAIL	PHONE	FAX
Chennai	chennai@indfos.com	044-2435 3407	044-2431 1760
Coimbatore		9486191368	
Delhi	delhi@indfos.com	011-2589 7296	011-4500 9460
Kolkata	kolkata@indfos.com	033-2486 6761	033-2486 6761
Mumbai	mumbai@indfos.com	022-2565 6936	022-2569 1237