



Head Mounted Temperature Transmitter FTT70

Futuristic Technologies



www.futuristicclimatecontrols.in



+91-972-381-0294



sales@futuristicclimatecontrols.in



Futuristic Head mounted temperature transmitter is used for resistance thermometer (RTD), thermocouple (TC), Resistance transmitter, voltage (mV) signal input, two wire 4-20mA analog output, mounted inside transmitter (form B)

Features :

- Transfer various kinds of input signal into 4-20mA output
- Input: RTD, Thermocouple
- 2 kinds of resistance thermometer input (RTD)
- 8 kinds of thermocouple (TC)
- Built-in cold junction compensation
- Configuration by PC

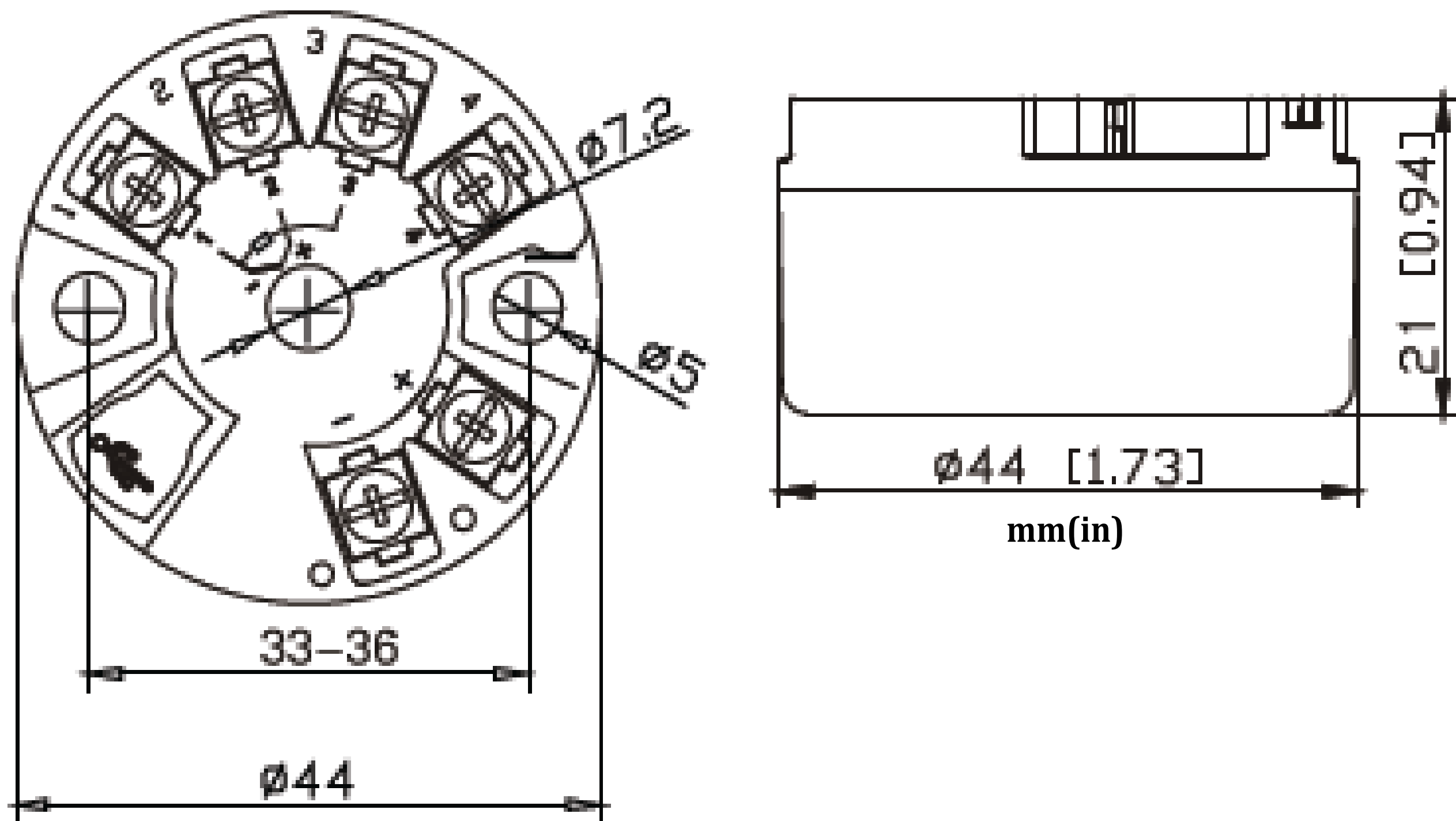


Input Types :

ELEMENT	TYPE	MEASURING RANGE
RTD	Pt100	-200 to 850°C
	Cu50	-50 to 150°C
TC	B	400 to 1820°C
	E	-100 to 1000°C
	J	-100 to 1200°C
	K	-180 to 1372°C
	N	-180 to 1300°C
	R	-50 to 1760°C
	S	-50 to 1760°C
	T	-200 to 400°C



Dimension :



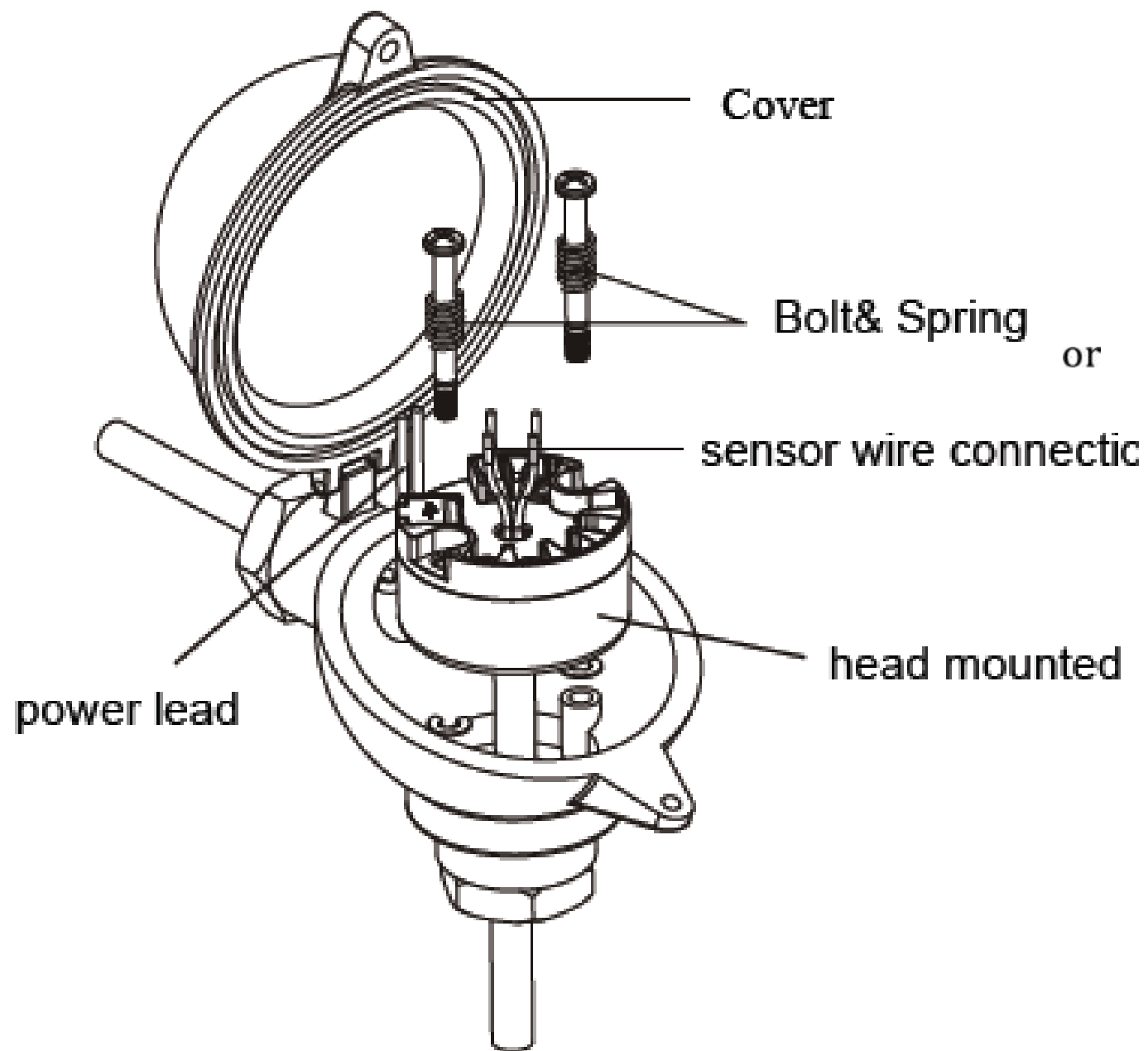
Specifications

Parameter

Output Signal	4-20mA
Max Load	(V power supply-7.5V)/0.022A (current)
Circuit limit	<=22ma
Response time	<=1second
Saturation current	Low side 3.9mA, high side 20.5ma
Alarm current	sensor damage or sensor turnoff output is 3.9mA or 22mA(except TC)
Accuracy	0.1%FS
Power supply	12V to 40V
Working temperature	-40 to 85°C
Storage temperature	-40 to 100°C
Protection	IP00; IP66 (mounted)
Earthquake resistance	4g/2 to 150HZ
Mounting	top of B type head



Installation :



Configuration :



24VDC -

Wiring Diagram :

