



# DPTW51

## DIFFERENTIAL PRESSURE TRANSMITTER



The DPTW51 Water Differential Pressure Transmitter is designed for versatile differential pressure measurement applications. Equipped with a 316 stainless steel diaphragm, adjustable span, and protective features, it ensures safe and reliable operation. Suitable for diverse industries, from process control to automotive and medical equipment.

### SPECIFICATIONS

Pressure Range	: 0 to 1, 4, 6, 10 Bar
Static Pressure	: 20MPa (Max.)
Pressure Reference	: Differential pressure
Supply & Output	: 4-20mA (16-36 VDC)
Electrical Connection	: DIN 43650
Accuracy	: $\pm 0.5\%$ FS (typ.)
Temp. Drift	: 1.5% FS (@-10°C-70°C)
Response Time	: 1ms (upto 90% FS)
Service Life	: $\geq 10 \times 10^6$ pressure cycles
Ambient Temp.	: -10°C-70°C
Medium Temp.	: -10°C-70°C
Storage Temp.	: -40°C-125°C
EMC-Interference	: IEC 61000-6-3
EMC-Immunity	: IEC 61000-6-2

Insulation Resistance : 200MΩ/250 VDC

Shock Resistance : 100G (11ms)

Protection : IP65

Material : 304

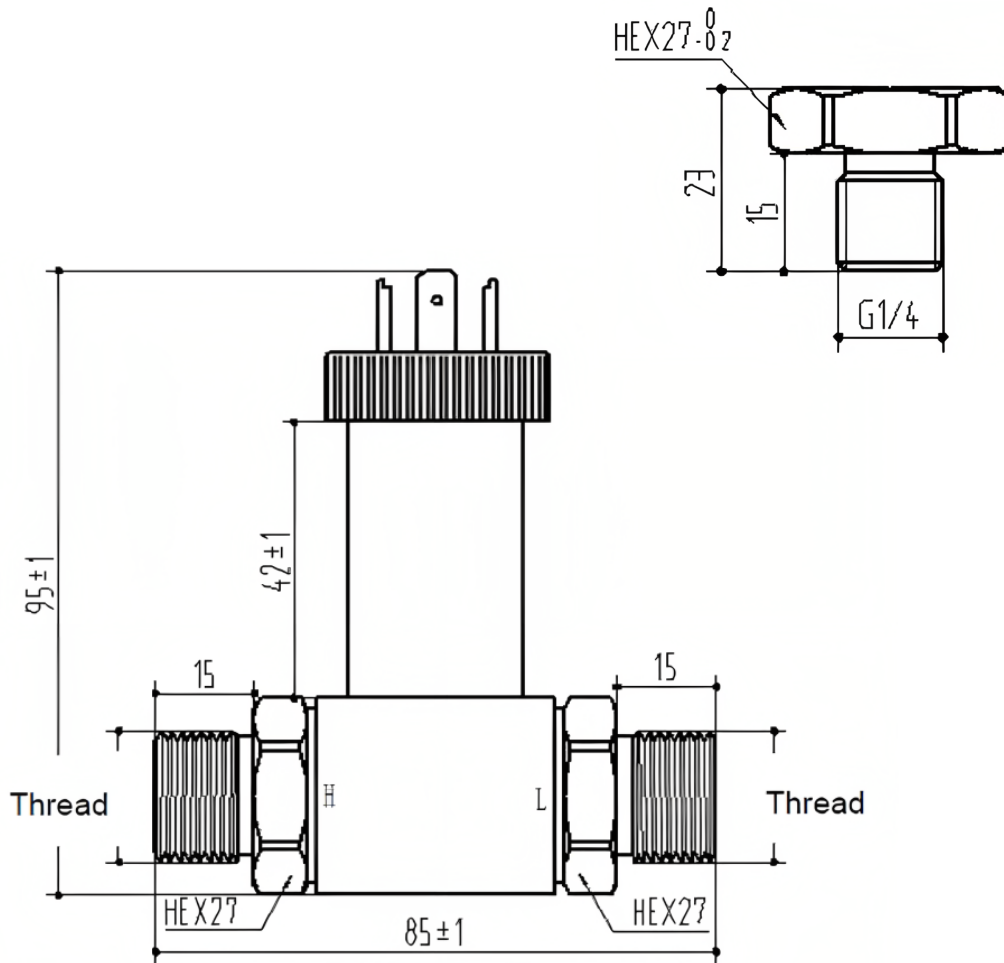
Max. Mounting Torque : 25Nm

## ORDERING CODE

S.No	Differential Pressure Transmitter	DPTW51		
1.	Pressure Range	xxxx	001B	1 Bar ; Overpressure 3 Bar
			004B	4 Bar ; Overpressure 12 Bar
			006B	6 Bar ; Overpressure 18 Bar
			0010B	10 Bar ; Overpressure 30 Bar
2.	Output	X	1	4-20mA, 2-wire
3.	Thread Type	X	1	G1/4 Male
4.	Display	XX	NN	None
			D1	LED Display

Example Code : DPTW51-004B-1-1-NN

# DIMENSIONS



## FUTURISTIC TECHNOLOGIES

232, Sunrise Mall, Mansi Circle, Vastrapur, Ahmedabad, Gujarat 380015, INDIA

☎ +91 6355915927

✉ sales@futuristictechnologies.co.in

🌐 www.futuristictechnologies.co.in