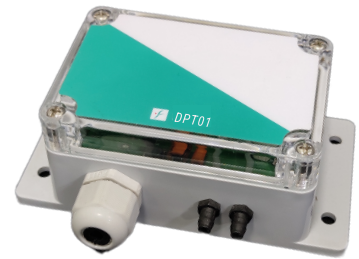




DPT01

DIFFERENTIAL PRESSURE TRANSMITTER



Futuristic Differential Pressure Transmitter Series DPT01 can be used to measure positive, negative or differential pressure in the ranges of ± 25 Pa to ± 20 "WC. LED Display is an option.

Typical HVAC applications include monitoring of Duct static Pressure & Filter differential pressure monitoring in AHUs.

SPECIFICATIONS

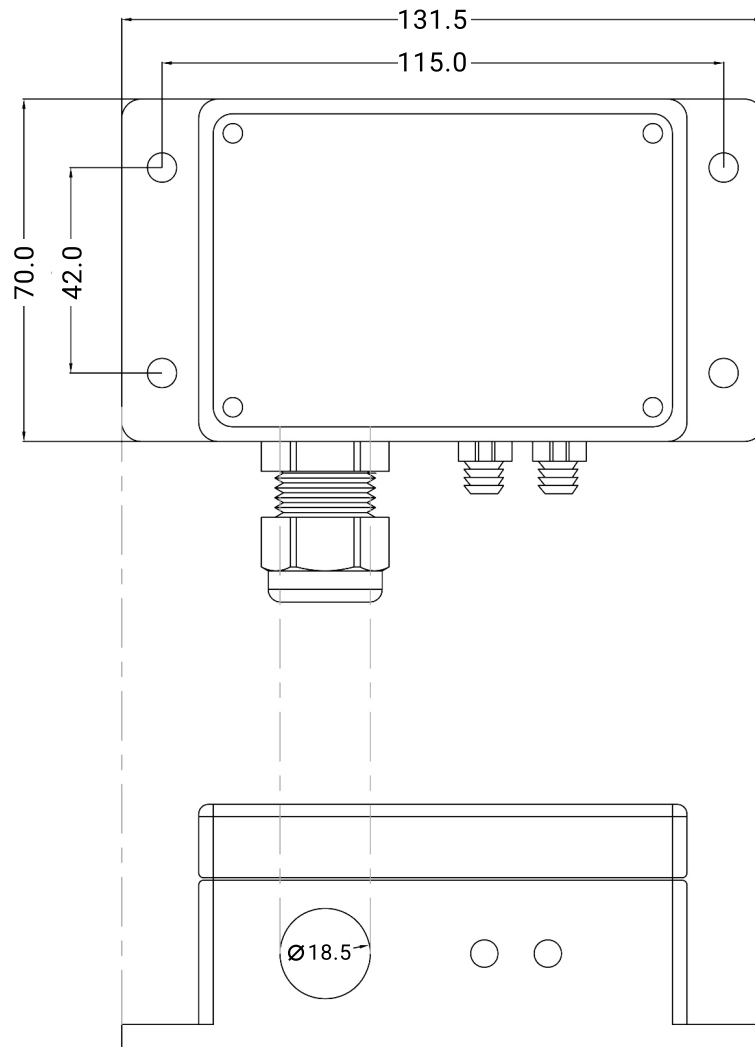
- DP Sensing Technology : Piezo resistive silicon sensor
- Service : Air or non-corrosive gases
- Measurement Range : ± 25 Pa to ± 20 "WC (Please refer ordering code)
- Over Pressure : 3.6 PSI
- Burst Pressure : 6 PSI
- Accuracy : $\pm 1\%$ FS
- Stability : $\pm 1\%$ FS per Year
- Output Resolution : 0.025%
- Start up Time : 5 mSec
- Response time : 1 mSec
- Output : 4-20mA / 0 to 10VDC
- Display : 5 Digit LED Display (Optional)
- Supply Voltage : 24VDC / 24VAC $\pm 10\%$
- Electrical Entry : Cable Gland PG11
- Process Connection : 5 mm ID flexible tube
- Operating Temperature : -20° to $+50^{\circ}$ C
- Enclosure : ABS/Polycarbonate, IP65

ORDERING CODE

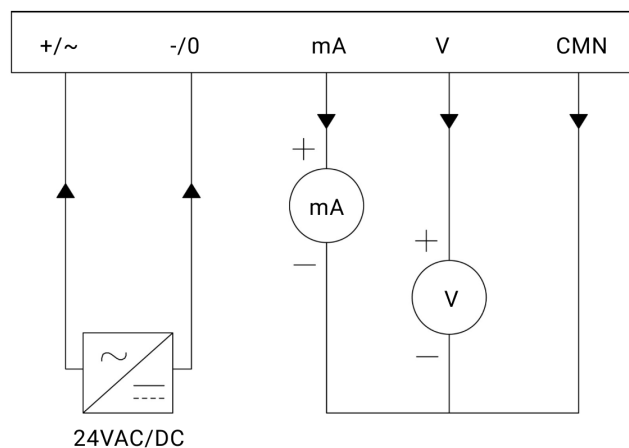
S.No	DP Transmitter series	DPT01		
1.	Mounting Type	XX	WN	Wall Mount
2.	Ranges	XX	01	±25, ±50, ±125, ±250 Pa 0 to 25, 0 to 50, 0 to 125, 0 to 250 Pa
			04	±125, ±250, ±500, ±1000 Pa 0 to 125, 0 to 250, 0 to 500, 0-1000 Pa
			20	±2.5", ±5", ±10", ±20" WC 0 to 2.5", 0 to 5", 0 to 10", 0 to 20" WC
3.	Transmitter/Output	X	A	4 to 20mA
			V	0-10VDC
4.	Comm. Port	X	N	None
5.	Display	XX	NN	None
			D1	LED Display

Example Code : DPT01-WN-01-A-N-NN

DIMENSIONS



WIRING



FUTURISTIC TECHNOLOGIES

232, Sunrise Mall, Mansi Circle, Vastrapur, Ahmedabad, Gujarat 380015, INDIA

+91 6355915927

sales@futuristictechnologies.co.in

www.futuristictechnologies.co.in