



# DPT01EX

## DIFFERENTIAL PRESSURE TRANSMITTER – FLAME PROOF



Introducing the Futuristic Flameproof Differential Pressure Transmitter Series DPT01EX. This transmitter is specifically designed to measure positive, negative, or differential pressure within the ranges of  $\pm 25$  Pa to  $\pm 20$ "WC. With its optional LED display, it offers convenient and intuitive pressure readings.

The DPT01EX Flameproof transmitter is engineered to operate reliably in hazardous environments, making it suitable for use in Zone 1 and 2 areas. It is designed to meet the requirements of Gas Group IIA, IIB and IIC, T6.

In HVAC applications, the DPT01EX Flameproof transmitter is used for monitoring duct static pressure and filter differential pressure.

### SPECIFICATIONS

- DP Sensing Technology : Piezo resistive silicon sensor
- Service : Air or non-corrosive gases
- Measurement Range :  $\pm 25$  Pa to  $\pm 20$ "WC (Please refer ordering code)
- Over Pressure : 3.6 PSI
- Burst Pressure : 6 PSI
- Accuracy :  $\pm 1\%$  FS
- Stability :  $\pm 1\%$  FS per Year
- Output Resolution : 0.025%
- Start up Time : 5 mSec
- Response time : 1 mSec
- Output : 4-20mA / 0 to 10VDC
- Display : 5 Digit LED Display (Optional)
- Supply Voltage : 24VDC / 24VAC  $\pm 10\%$
- Operating Temperature :  $-20^\circ$  to  $+50^\circ\text{C}$

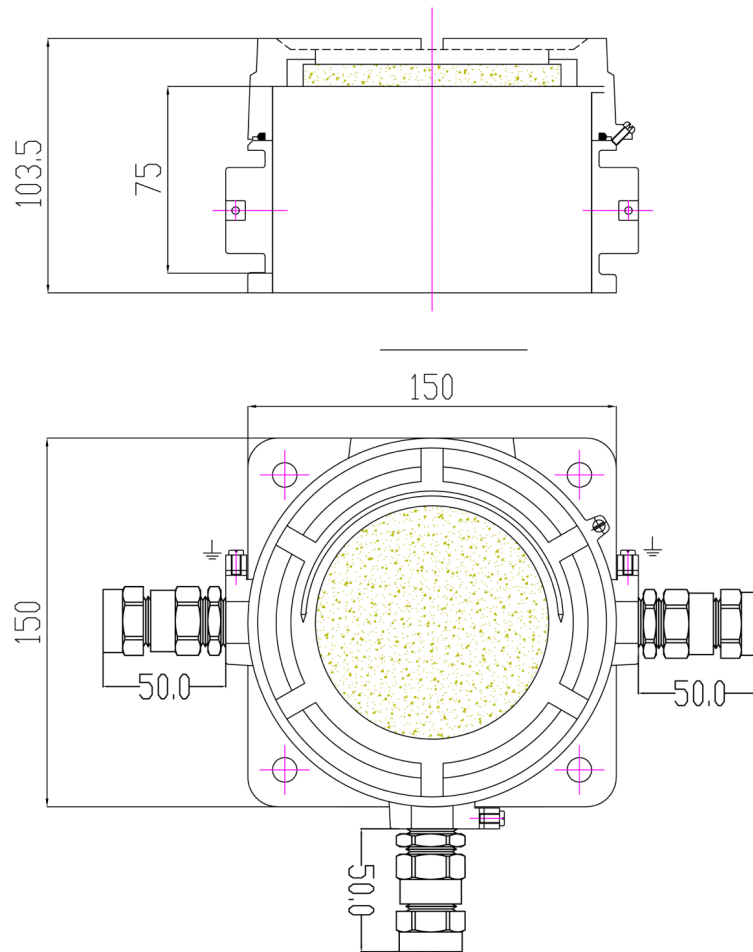
- Enclosure :
  - Material : Di Cast Aluminum Alloy LM6
  - Type of Explosion Protection : EEx-d, IEC60079-1:2007
  - Zone Classification : Suitable for Zone 1 & 2
  - Gas Group : Suitable for Gas group IIA, IIB & IIC, T6
  - Ingress Protection : IP66, IEC60529-1:2001
  - Paint : Epoxy Polyester powder coated
  - Cable Entry : ½" NPT double compression gland

## ORDERING CODE

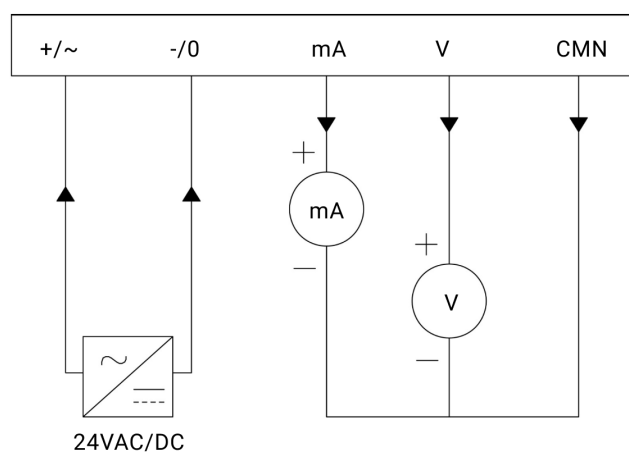
S.No	DP Transmitter series	DPT01EX		
1.	Mounting Type	XX	WN	Wall Mount
2.	Ranges	XX	01	±25, ±50, ±125, ±250 Pa 0 to 25, 0 to 50, 0 to 125, 0 to 250 Pa
			04	±125, ±250, ±500, ±1000 Pa 0 to 125, 0 to 250, 0 to 500, 0-1000 Pa
			20	±2.5", ±5", ±10", ±20" WC 0 to 2.5", 0 to 5", 0 to 10", 0 to 20" WC
3.	Transmitter/Output	X	A	4 to 20mA
			V	0-10VDC
4.	Comm. Port	X	N	None
5.	Display	XX	NN	None
			D1	LED Display

Example Code : DPT01EX-WN-01-A-N-NN

## DIMENSIONS



## WIRING



### FUTURISTIC TECHNOLOGIES

232, Sunrise Mall, Mansi Circle, Vastrapur, Ahmedabad, Gujarat 380015, INDIA

+91 6355915927

sales@futuristictechnologies.co.in

www.futuristictechnologies.co.in